

Original Date: 010300  
Issue Date: 010300  
Version No: 0  
Date Modified: N/A

Item	Part No.	Description	Item	Part No.	Description	Item	Part No.	Description
1	332/134521034	Motor Housing	21	332/713721080	Bushing	41	332/870801733	Washer
2	332/134159111	Brush Holder	22	332/134131561	Rubber ring	46	332/134104232	Cable fastening clamp
3	332/134529027	Field 230V	23	332/134132612	Air guide	47	332/712020302	Ball bearing
4	332/134529137	Armature 230V	24	332/134231861	Obturator ring	48	332/849071151	Screw
4a	332/134139073	Brush	25	332/134131592	Compensation washer	49	332/134154451	Push button
6b	332/134139074	Automatic brush	26	332/134131601	Rubber ring	50	332/830000197	Pin 3x32 DIN7
7	332/134132251	Brush spring	27	332/875101011	Safety ring 11DIN471	51	332/757000380	Spring
8	332/134523023	Gear	28	332/910140000	Nut flange	52	332/134154191	Cord protection
9	332/134529044	Switch grip	29	332/134109521	Spanner	54	332/844800027	Screw
10	332/763267036	switch	30	332/104605221	Wrench	55	332/134231313	Right red brushes cover
11	332/844800027	Screw PZ3.5x12TP	31	332/134135021	Auxiliary handle M10	56	332/134231323	Left red brushes cover
12	332/134521301	Shim Ring	33	B/6201 ZZ	Ball bearing 6201ZZTN9	60	332/134233851	Cover supplement
13	332/134134181	Protection Sleeve	34	B/608 ZZ	Ball bearing	61	332/763609001	Cover
14	CS 2.5M2CBLK	Power cord	35	332/844305288	Screw ZD.8-M5x15	62	332/763606001	Switch
16	332/134131342	Ball bearing cover	36	332/846510069	Screw B5 5x38DIN7981			
17	332/134143011	Disc spindle	37	332/134251311	Ring			
18	332/134139202	Obturator ring	38	332/844810136	Screw PZ 5x65 TP			
19a	332/134231081	Gear cover with bearing	39	332/844810096	Screw PZ D.7,5-4, 5x65 TP			
19b	332/134139171	Gear cover aluminium	40	332/844810085	Scfew PZ D.7,5-4 5x20 TP			
20	332/134521012	Gear box						

**NOTE:** It is our policy to continually improve products and as such we reserve the right to alter data, specifications and component parts without prior notice.



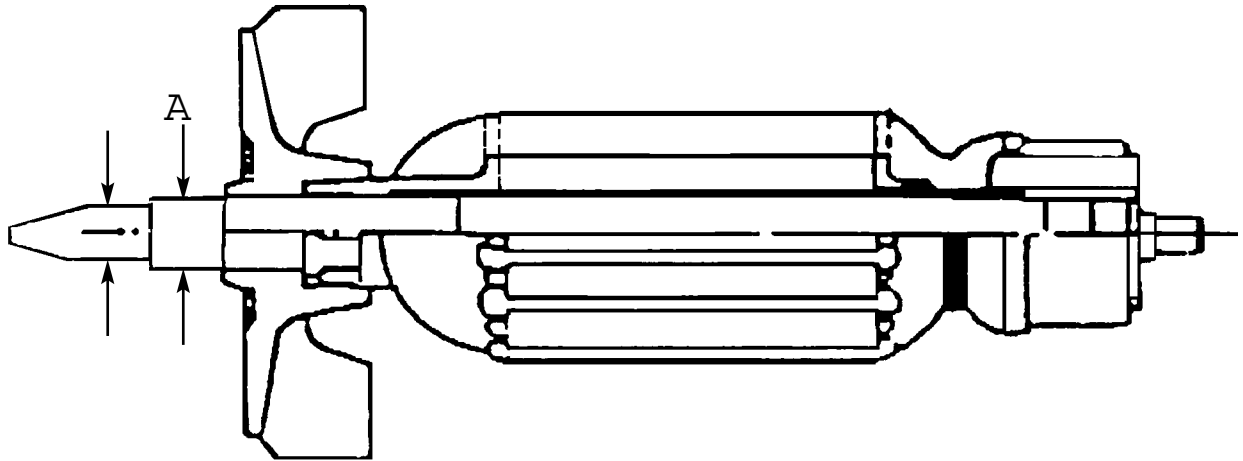
01284 757500



01284 703534

E-mail: [sales@sealey.co.uk](mailto:sales@sealey.co.uk)

The armature assemblies for the MS600P and MS700PS have changed as of 1 January, 1998. The new part numbers for the gearbox, armature and bearings of both models are as follows:



Description	Part No.	Change	
<b>Both models:</b>			
Old Gearbox	332/13452.1011	Ø35mm	
New Gearbox	332/13452.1012	Ø32mm	
Old Bearing	B/6300ZZ		
New Bearing	B/6201ZZ		
<b>MS600P</b>		ØA	ØB
Old Armature	332/13452.9037	10mm	10mm
New Armature	332/13452.9137	12mm	11.2mm
<b>MS700PS</b>			
Old Armature	332/13452.9036	10mm	10mm
New Armature	332/13452.9136	12mm	11.2mm

Note that the old parts listed are NO LONGER AVAILABLE. For old machines needing any of these parts, order all three new parts as a replacement assembly.