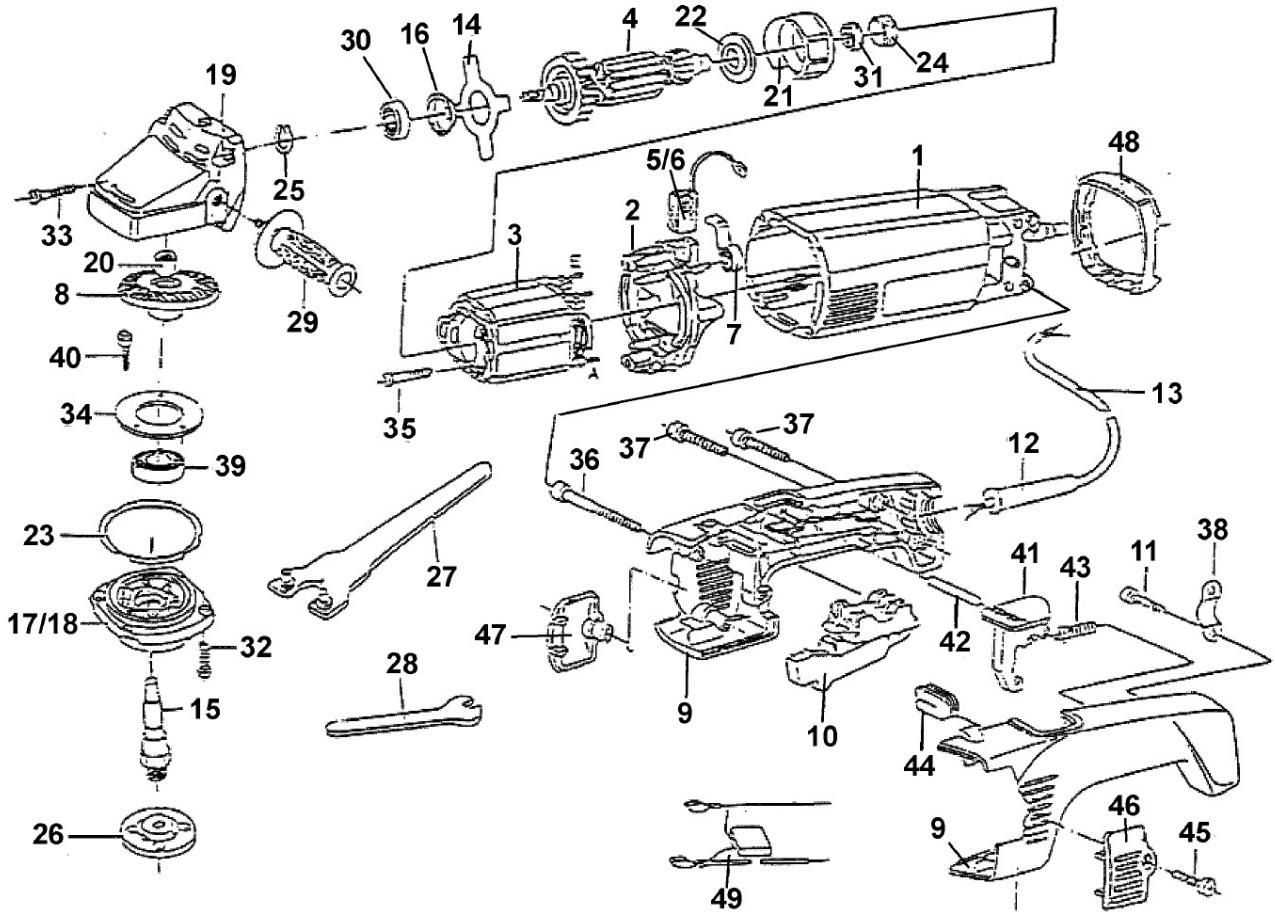




Parts Information:
Polisher 170mm Single Speed 1010W/230V
Heavy-Duty
Model No: MS1800P



NOTE: It is our policy to continually improve products and as such we reserve the right to alter data, specifications and component parts without prior notice.

IMPORTANT: No liability is accepted for incorrect use of product.

WARRANTY: Guarantee is 12 months from purchase date, proof of which will be required for any claim.

Sealey Group, Kempson Way, Suffolk Business Park, Bury St Edmunds, Suffolk. IP32 7AR



01284 757500



01284 703534



sales@sealey.co.uk



www.sealey.co.uk



Parts Information:
**Polisher 170mm Single Speed 1010W/230V
Heavy-Duty
Model No: MS1800P**

Item	Part No.	Description
1	332/134521034	Housing
2	332/134159112	Brush holder
3	332/134529023	Field coil 230v
4	332.134529133	Armature 230v
5	332/134139074	Carbon brush
6	332/134139074	Carbon brush
7	332/134132251	Spring, brush /
8	332/134523024	Gear wheel (v3)
9	332/134529042	Grip, switch, red
10	126.48106906	Switch
11	332/844800027	Screw
12	332/134134181	Cable sleeve
13	MC2CX1.0	Mains cable blk, 2 core, 1.0mm2
14	332/134131342	Cover, bearing
15	332/134523012	Disc spindle
16	332/134139202	Obturing ring
17	332/134171082	Black plastic gear cover
18	332/134139171	Aluminium gear cover
19	332/134521013	Gear box
20	332/711001101	Self-oil bearing / Self-oil bearing
21	332/134132612	Air guide
22	332/134231861	Obterating ring
23	332/134131592	Metal gasket
24	332/134131601	Ring, rubber
25	332/875101011	Safety ring

Item	Part No.	Description
26	332/910141200	Nut, flange
27	332/134109521	Spanner, disc (pin)
28	332/104605221	Wrench 17mm
29	332/134135021	Handle, side
30	B/6201ZZ	Bearing 6201zz
31	B/608-2RS	Bearing 608-2rs
32	332/844305288	Screw, m5x15 din84
33	332/846510069	Screw b5 5x.38din7981
34	332/134251311	Ring
35	332/844810136	Screw, pz d.8,5-5 x 65 tp
36	332/844810096	Rd head s/t screw m4.5 x 64 black
37	332/844810085	Rd head s/t screw m4.5 x 20 black
38	332/134104232	Cable fastening clamp
39	B/6203-2RS	Bearing 6203-2r
40	MSP512.S	Machine screw pan head phillips m5x12mm (single)
41	332/134154451	Lever
42	332/830000197	Pin, 3x32 din7
43	332/757000380	Spring
44	332/134154191	Clamp
45	332/844800027	Screw
46	332/134231313	Cover
47	332/134231323	Cover
48	332/134233851	Cover
49	332/134139081	Condensor
--	332/912040000	Rubber pad, 7" dia. (NOT SHOWN)

NOTE: It is our policy to continually improve products and as such we reserve the right to alter data, specifications and component parts without prior notice.

IMPORTANT: No liability is accepted for incorrect use of product.

WARRANTY: Guarantee is 12 months from purchase date, proof of which will be required for any claim.

Sealey Group, Kempson Way, Suffolk Business Park, Bury St Edmunds, Suffolk. IP32 7AR



01284 757500



01284 703534



sales@sealey.co.uk



www.sealey.co.uk