

3. MAINTENANCE

- 3.1 The ML48 requires very little by way of maintenance. Keep the unit clean with a moist cloth. DO NOT use solvents or abrasives.
- 3.2 Inspect the unit for damage before each use, especially if intending to use it outside. Should you suspect any damage/malfunction likely to cause a hazard (e.g. split case, bare wires, shattered tube), remove the unit from service immediately and contact your authorised Sealey dealer for advice/repairs.
- 3.3 Replacing the fluorescent tubes:
 - 3.3.1 Remove the eight holding screws from the case (fig 2) and lift the cover on its hinge.
 - 3.3.2 Remove the supporting rubber bands and carefully slide the tubes horizontally away from their respective bases.
 - 3.3.3 Slot the new tubes into the bases with equal care, before replacing the rubber bands and lowering the cover.
 - 3.3.4 Ensure the rubber seal is in place and remains undamaged, then replace the eight holding screws being sure not to overtighten them.

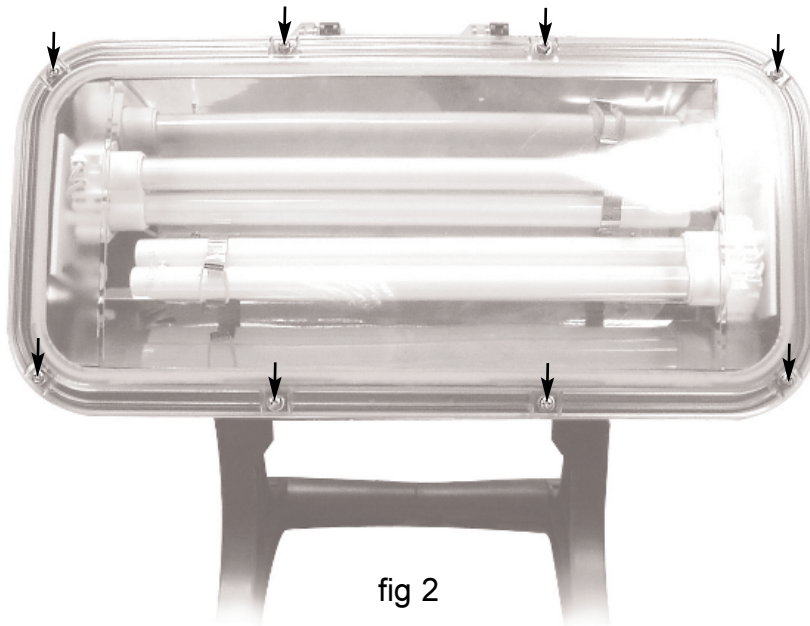


fig 2


4. SPARE PARTS

Part No.:	Description:
ML48B	SPARE TUBE FOR ML48 24WATT

5. DECLARATION OF CONFORMITY

<p>48W WORKSHOP FLOODLIGHT 230V</p> <p>MODEL ML48</p> <p>73/23/EEC Low Voltage Directive</p> <p>89/336/EEC EMC Directive</p> <p>93/68/EEC CE Marking Directive</p>	<p>Declaration of Conformity We, the sole importer into the UK, declare that the product listed here is in conformity with the following standards and directives.</p> <p>CE Signed by Mark Sweetman  19 July 2004</p> <p>The construction file for this product is held by the Manufacturer and may be inspected by a national authority upon request to Jack Sealey Ltd.</p> <p><i>For Jack Sealey Ltd. Sole importer into the UK of Sealey Power Products.</i></p>
--	---

NOTE: It is our policy to continually improve products and as such we reserve the right to alter data, specifications and component parts without prior notice.
IMPORTANT: No liability is accepted for incorrect use of this product.
WARRANTY: Guarantee is 12 months from purchase date, proof of which will be required for any claim.
INFORMATION: Call 01284 757525 for our catalogue & promotions. Leave your full name, address & postcode.

	<p>Sole UK Distributor, Sealey Group, Bury St. Edmunds, Suffolk.</p>
---	--

 01284 757500	 01284 703534	 sales@sealey.co.uk	 www.sealey.co.uk
--	--	--	--