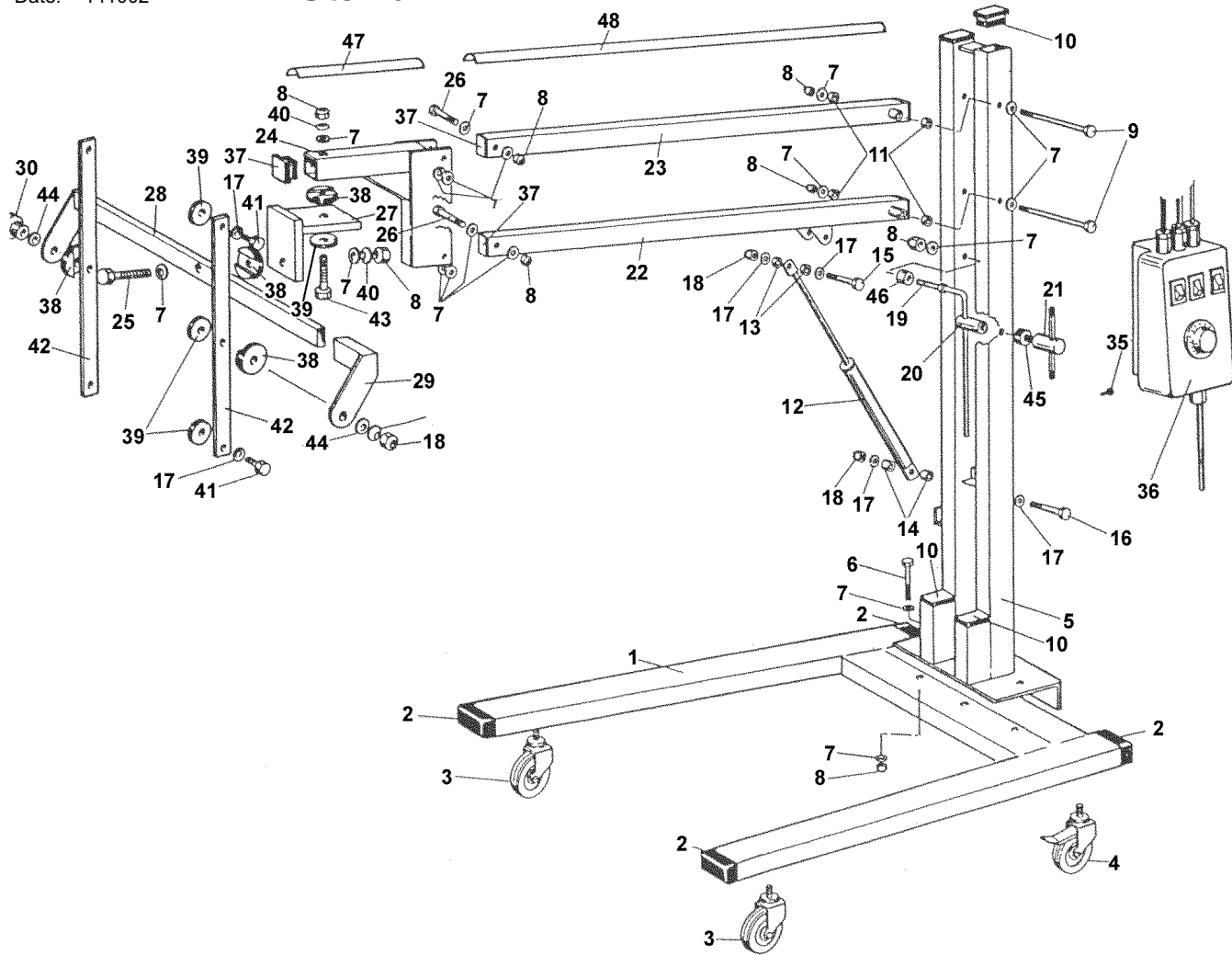


Issue: 1
 Date: 141002

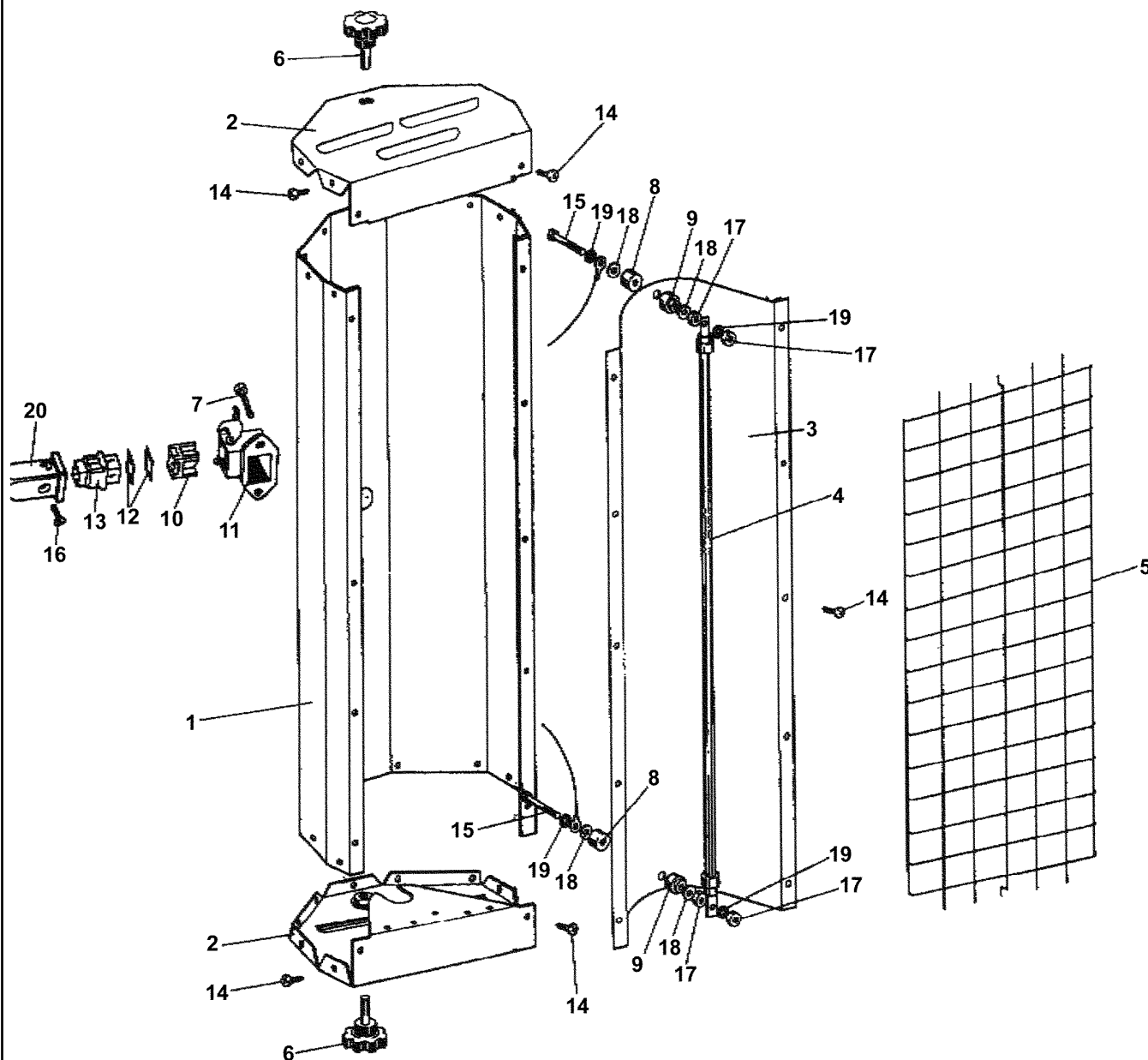
Stand



Item	Part No	Description	Item	Part No	Description	Item	Part No	Description
1	ML3099.V2-01	Base frame	16	ML3099.V2-16	Bolt	35	ML3099.V2-35	Bolt
2	ML3099.V2-02	Stopper	17	ML3099.V2-17	Washer	36	ML3099.V2-36	Lamp control unit
3	ML3099.V2-03	Wheel	18	ML3099.V2-18	Nut	37	ML3099.V2-37	Stopper
4	ML3099.V2-04	Wheel, braked	19	ML3099.V2-19	Lever	38	ML3099.V2-38	Slotted friction disc
5	ML3099.V2-05	Vertical support	20	ML3099.V2-20	Locking bar	39	ML3099.V2-39	Spacer
6	ML3099.V2-06	Bolt, M10X60	21	ML3099.V2-21	Locking handle	40	ML3099.V2-40	Washer
7	ML3099.V2-07	Washer	22	ML3099.V2-22	Lower, positioning arm	41	ML3099.V2-41	Bolt
8	ML3099.V2-08	Nut	23	ML3099.V2-23	Upper, positioning arm	42	ML3099.V2-42	End support bar
9	ML3099.V2-09	Bolt	24	ML3099.V2-24	Lamp support bracket	43	ML3099.V2-43	Bolt
10	ML3099.V2-10	Stopper	25	ML3099.V2-25	Bolt	44	ML3099.V2-44	Washer
11	ML3099.V2-11	Spacer	26	ML3099.V2-26	Bolt	45	ML3099.V2-45	Spacer
12	ML3099.V2-12	Shock absorber	27	ML3099.V2-27	Lamp mounting plate	46	ML3099.V2-46	Spacer
13	ML3099.V2-13	Spacer	28	ML3099.V2-28	Support bar	47	ML3099.V2-47	Short cable cover
14	ML3099.V2-14	Spacer	29	ML3099.V2-29	Support bar end plates	48	ML3099.V2-48	Long cable cover
15	ML3099.V2-15	Bolt	30	ML3099.V2-30	Knurled knob			

Issue: 1
 Date: 141002

Lamp



Item	Part No	Description	Item	Part No	Description	Item	Part No	Description
1	ML3099.V2-L01	Lamp body	8	ML3099.V2-L08	Spacer	15	ML3099.V2-L15	Bolt M3 x 35
2	ML3099.V2-L02	End plate	9	ML3099.V2-L09	Ceramic spacer	16	ML3099.V2-L16	Bolt
3	ML3099.V2-L03	Reflector	10	ML3099.V2-L10	Plug	17	ML3099.V2-L17	Nut
4	ML3099.V2-L04	Heating element	11	ML3099.V2-L11	Plug case	18	ML3099.V2-L18	Washer, flat
5	ML3099.V2-L05	Grille	12	ML3099.V2-L12	Rubber gasket	19	ML3099.V2-L19	Washer, lock
6	ML3099.V2-L06	Knurled knob	13	ML3099.V2-L13	Socket	20	ML3099.V2-L20	Socket case
7	ML3099.V2-L07	Bolt, M3 x 12	14	ML3099.V2-L14	Screw, self tapping			