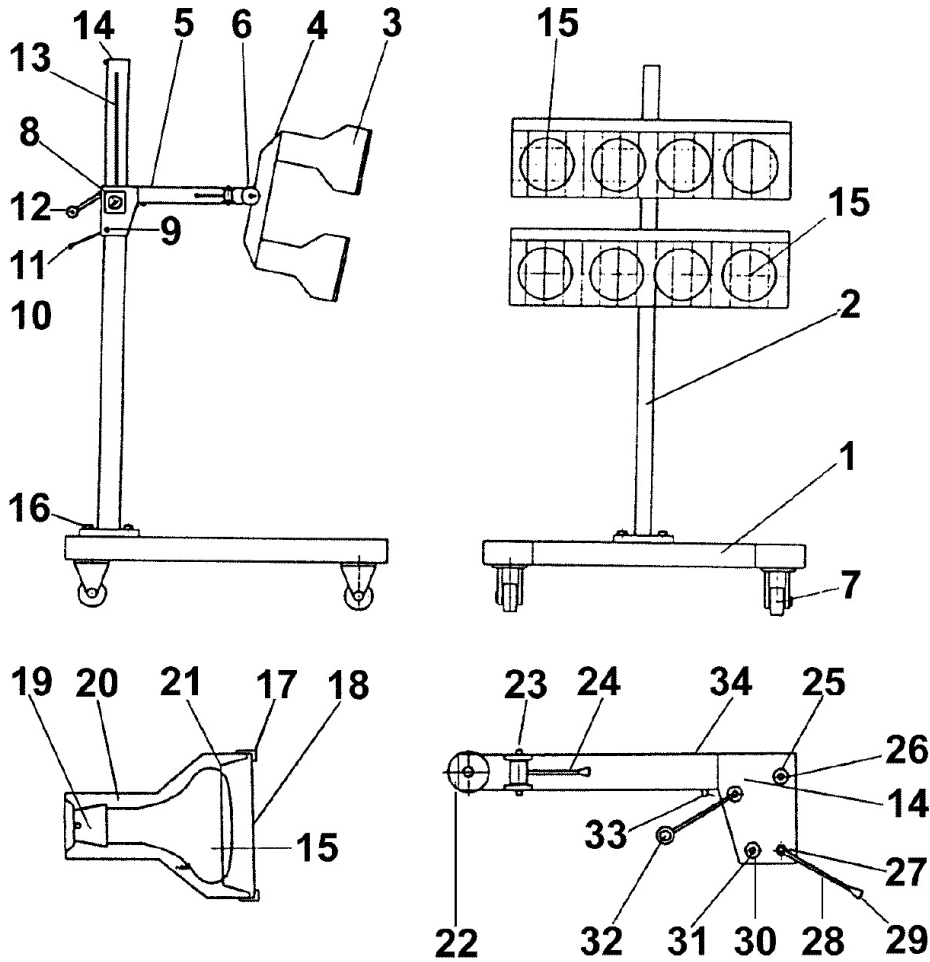


Parts Information:
**Panel Drying Lamp with Timer 8 x
 250W/230V**
Model No: ML2300



Item	Part No.	Description
1	ML2300/01	Frame (2hole)
--	ML2300/01-A	Frame (4 hole) (NOT SHOWN)
2	ML2300/02	Post
3	ML2300/03	Bulb holder complete (parts 03,04)
4	ML2300/03	Bulb holder complete (parts 03,04)
5	ML2300/05	Bracket
6	ML2300/06	Pin
7	ML2300/07	Castor 75x28x5
8	ML2300/08	Timer
9	ML2300/09	Control light 230v,5ma
10	ML2300/10	Cable bracket
11	ML2300/11	Cable end
12	ML2300/12	Plastic handle
13	ML2300/13	Steel cable
14	ML2300/14	Bracket
15	ML2300/15	Bulb, clear
16	ML2300/16	Bolt m12x30, (washer & nut)
17	ML2300/17	Frame for mesh

Item	Part No.	Description
18	ML2300/18	Mesh cover
19	ML2300/19	Socket
20	ML2300/20	Isolation wool
21	ML2300/21	Buffer plate
22	ML2300/22	Locking screw
23	ML2300/23	Pin
24	ML2300/24	Locking bar
25	ML2300/25	Roller
26	ML2300/26	Pin
27	ML2300/27	Locking roller ass'y
28	ML2300/27	Locking roller ass'y
29	ML2300/29	Plastic knob
30	ML2300/30	Roller
31	ML2300/31	Pin
32	ML2300/32	Crank ass'y
33	ML2300/33	Screw's m6
34	ML2300/34	Cable holding plate
--	ML2300/BA	Bracket assembly (NOT SHOWN)

NOTE: It is our policy to continually improve products and as such we reserve the right to alter data, specifications and component parts without prior notice.

IMPORTANT: No liability is accepted for incorrect use of product.

WARRANTY: Guarantee is 12 months from purchase date, proof of which will be required for any claim.