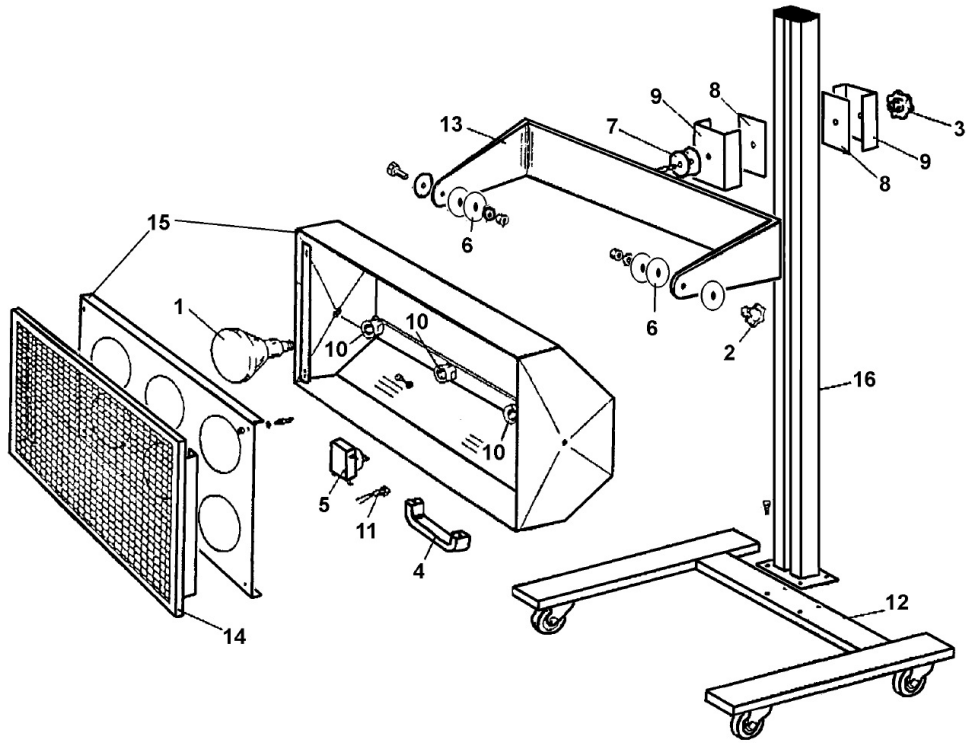


Parts Information:  
**Panel Drying Lamp with Timer 8 x  
 250W/230V  
 Model No: ML2250**



Item	Part No.	Description
1	ML2300/15	Bulb, clear, 240v, 250w, e27 infra red
2	ES300/11B	Knob (m12x1.75)
3	ML2250/03	Clamp knob
4	ML2250/04	Handle
5	ML2250/05	Timer switch with knob
6	ML2250/07	Friction disc
7	ML2250/08	Friction disc
8	ML2250/09	Friction plate
9	ML2250/09A	Friction plate bracket

Item	Part No.	Description
10	ML2250/10-N	Lamp holder new type with metal fixing bracket
--	ML2250/10-N	Lamp holder new type with metal fixing bracket (NOT SHOWN)
11	ML2250/11	Pilot light
12	ML2250/12A	Base complete
13	ML2250/13	Bracket,head
14	ML2250/14	Grille
15	ML2250/15	Cabinet
16	ML2250/16	Upright support

**NOTE:** It is our policy to continually improve products and as such we reserve the right to alter data, specifications and component parts without prior notice.

**IMPORTANT:** No liability is accepted for incorrect use of product.

**WARRANTY:** Guarantee is 12 months from purchase date, proof of which will be required for any claim.