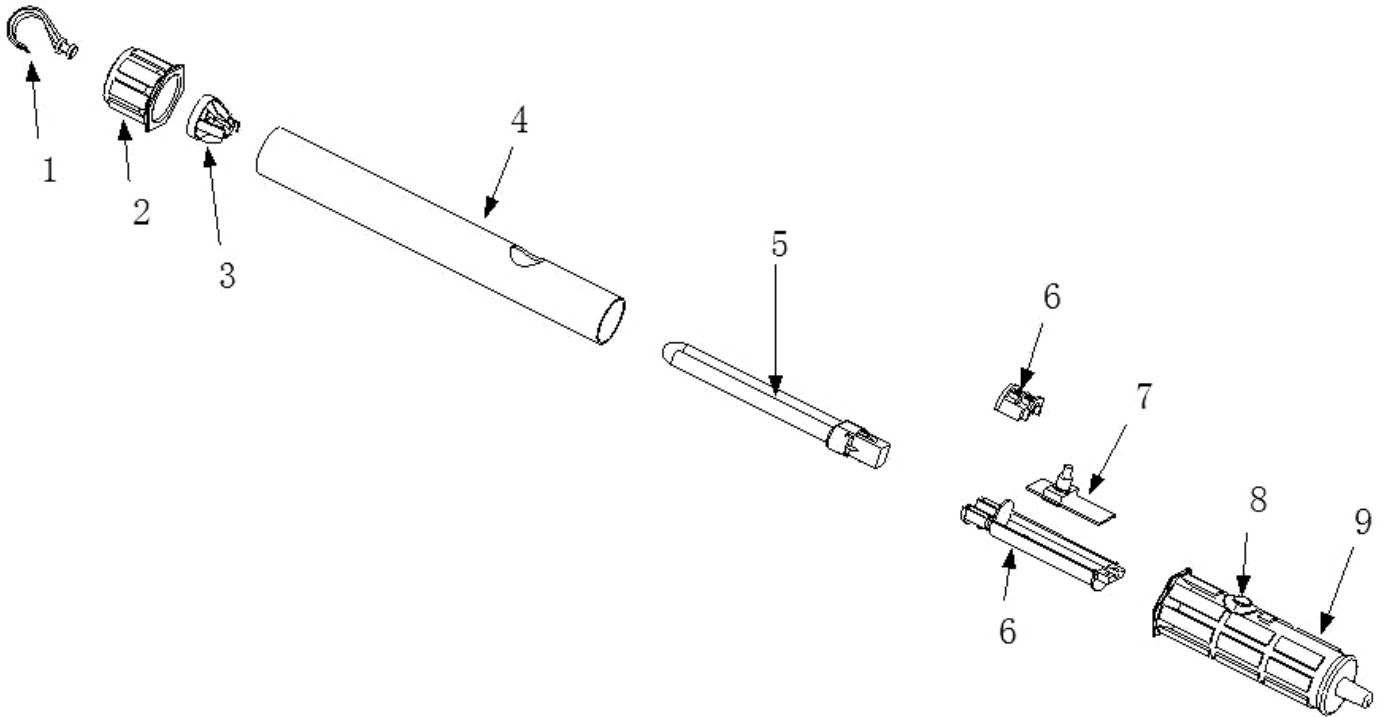




Parts Information:
Neon Lead Lamp 11W/230V with 5mtr
Cable
Model No: ML13230V.V2



| Item | Part No. | Description |
|------|--------------|----------------------------|
| 1 | ML13230V2.01 | TOP HOOK |
| 2 | ML13230V2.02 | UPPER COVER |
| 3 | ML13230V2.03 | HOLDER |
| 4 | ML13230V2.04 | CLEAR LENS |
| 5 | ML13230V2.05 | NEON TUBE 11W for ML13230V |

| Item | Part No. | Description |
|------|--------------|--|
| 6 | ML13230V2.06 | PCB BOX |
| 7 | ML13230V2.07 | PCB (c/w SWITCH) |
| 8 | ML13230V2.08 | RUSH BUTTON (RED) |
| 9 | ML13230V2.09 | HANDLE COVER |
| -- | ML13230VB | NEON TUBE 13W for ML13230V (NOT SHOWN) |

NOTE: It is our policy to continually improve products and as such we reserve the right to alter data, specifications and component parts without prior notice.

IMPORTANT: No liability is accepted for incorrect use of product.

WARRANTY: Guarantee is 12 months from purchase date, proof of which will be required for any claim.

Sealey Group, Kempson Way, Suffolk Business Park, Bury St Edmunds, Suffolk. IP32 7AR



01284 757500



01284 703534



sales@sealey.co.uk



www.sealey.co.uk