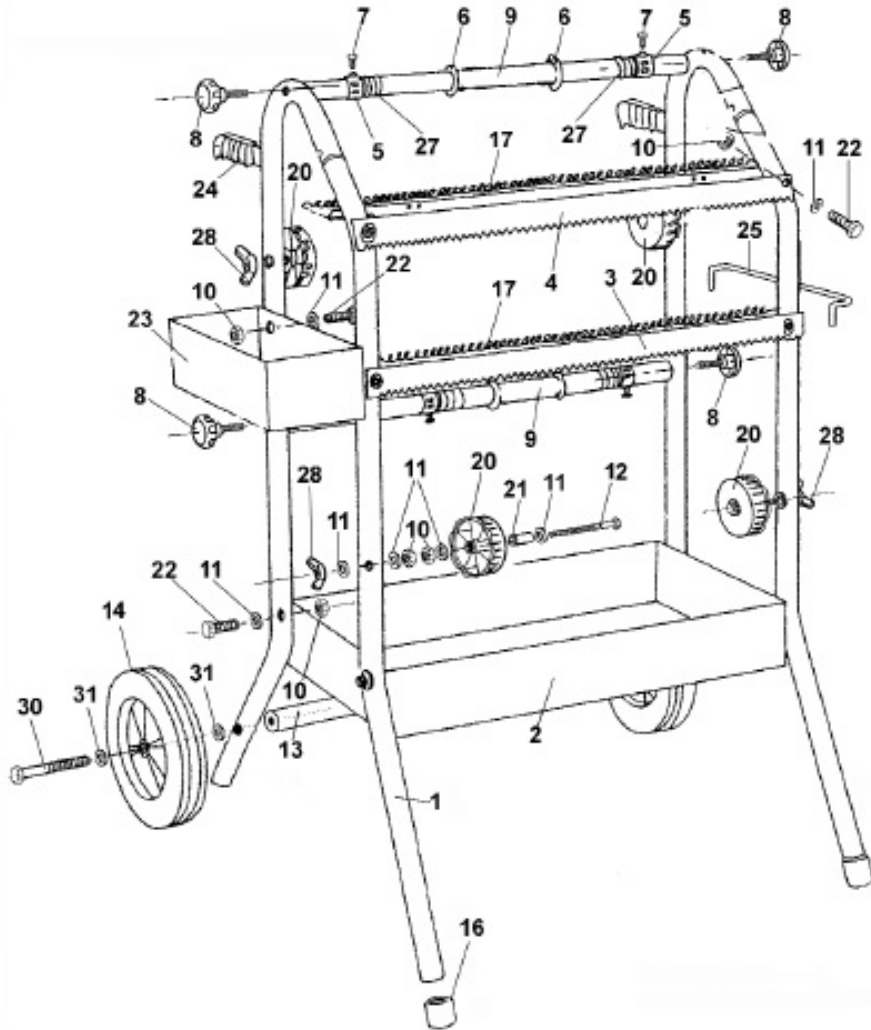


Parts Information:
**Masking Paper Dispenser 2 x 900mm
 Trolley**
Model No: MK67.V2



Item	Part No.	Description
1	MK66/01	FRAME
2	MK67/02	TRAY
3	MK67/03	BOTTOM PAPER CUTTER
4	MK67/04	TOP PAPER CUTTER
5	MK66/05	PAPER RETAINER
6	MK66/06	PAPER WASHER
7	MK66/07	SCREW
8	MK65/24	KNOB
9	MK67/09	PAPER BAR 900mm
10	MK67/10	STAR LOCK NUT
11	MK66/11	WASHER
12	MK66/12	BOLT M6X38
13	MK67/13-B	AXLE
14	MK67V2-14	WHEEL, FIXED (150x10x31)

Item	Part No.	Description
16	MK66/16	TIP FOOT
17	MK67/17	CUTTER SPRING 60CM LENGTH
20	MK66.V3-08	TAPE REEL
21	MK66/21	HUB
22	MK66/22	BOLT
23	MK66/23	TOP TRAY
24	MK66/24	HANDLE GRIP
25	MK66/25	HANGER
27	MK66/27	RETAINING SPRING
28	MK66/28	1/4" UNC WING NUTS
--	MK66/FK	FIXING KIT (NOT SHOWN)
30	HHB1090.S	HEX HEAD BOLT M10x90mm SINGLE
31	FWM10.S	FLAT WASHER M10 SINGLE

NOTE: It is our policy to continually improve products and as such we reserve the right to alter data, specifications and component parts without prior notice.

IMPORTANT: No liability is accepted for incorrect use of product.

WARRANTY: Guarantee is 12 months from purchase date, proof of which will be required for any claim.