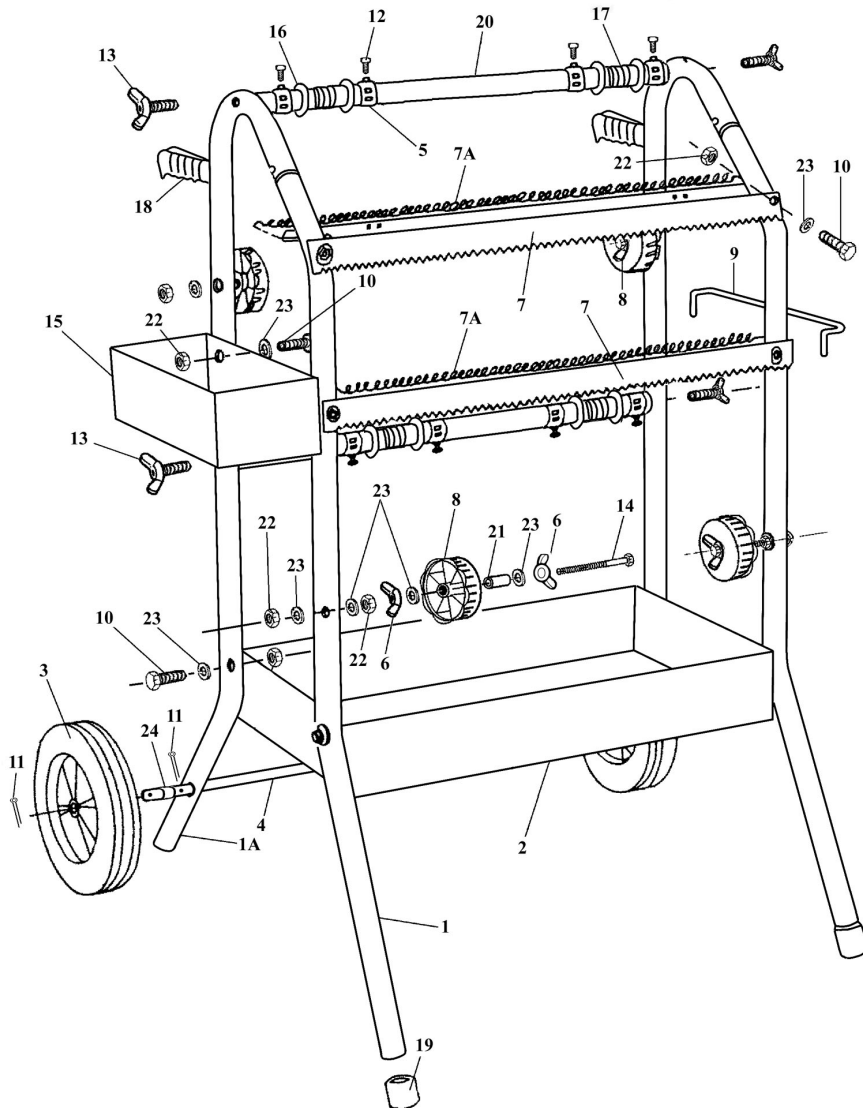


Parts Information:  
**Masking Paper Dispenser 2 x 450mm  
 Trolley**  
**Model No: MK66.V3**



Item	Part No.	Description
1	MK66.V3-01	FRONT FRAME
1A	MK66.V3-01A	REAR FRAME
2	MK66.V3-02	TOOL TRAY (LARGE)
3	MK66.V3-03	WHEEL, FIXED (201x10x40)
4	MK66.V3-04	AXLE
5	MK66.V3-05	PAPER HOLDING RING
6	SN6.SW	WING NUT M6 (SINGLE)
7	MK66.V3-07	CUTTING BLADE
7A	MK66.V3-07A	CUTTING BLADE SPRING
8	MK66.V3-08	TAPE REEL
9	MK66.V3-09	HANGER BAR
10	MSP640.S	MACHINE SCREW PAN HEAD PHILLIPS M6x40mm
11	MK66.V3-11	COTTER PIN

Item	Part No.	Description
12	MSP512.S	MACHINE SCREW PAN HEAD PHILLIPS M5x12mm
13	MK66.V3-13	BOLT WING NUT (M10)
14	SS690.S	HEX HEAD SET SCREW M6x90mm SINGLE
15	MK66.V3-15	SMALL TOOL TRAY
16	MK66.V3-16	SEAL WASHER
17	MK66.V3-17	PAPER HOLDING SPRING
18	MK66.V3-18	HANDLE GRIP
19	MK66.V3-19	FRAME FOOT
20	MK66.V3-20	PAPER BAR
21	MK66.V3-21	BUSHING FOR TAPE REEL
22	SN6.S	STEEL NUT M6 ZINC DIN934 (SINGLE)
23	FWM6.S	FLAT WASHER M6 SINGLE
24	MK66.V3-24	SPACER

**NOTE:** It is our policy to continually improve products and as such we reserve the right to alter data, specifications and component parts without prior notice.

**IMPORTANT:** No liability is accepted for incorrect use of product.

**WARRANTY:** Guarantee is 12 months from purchase date, proof of which will be required for any claim.