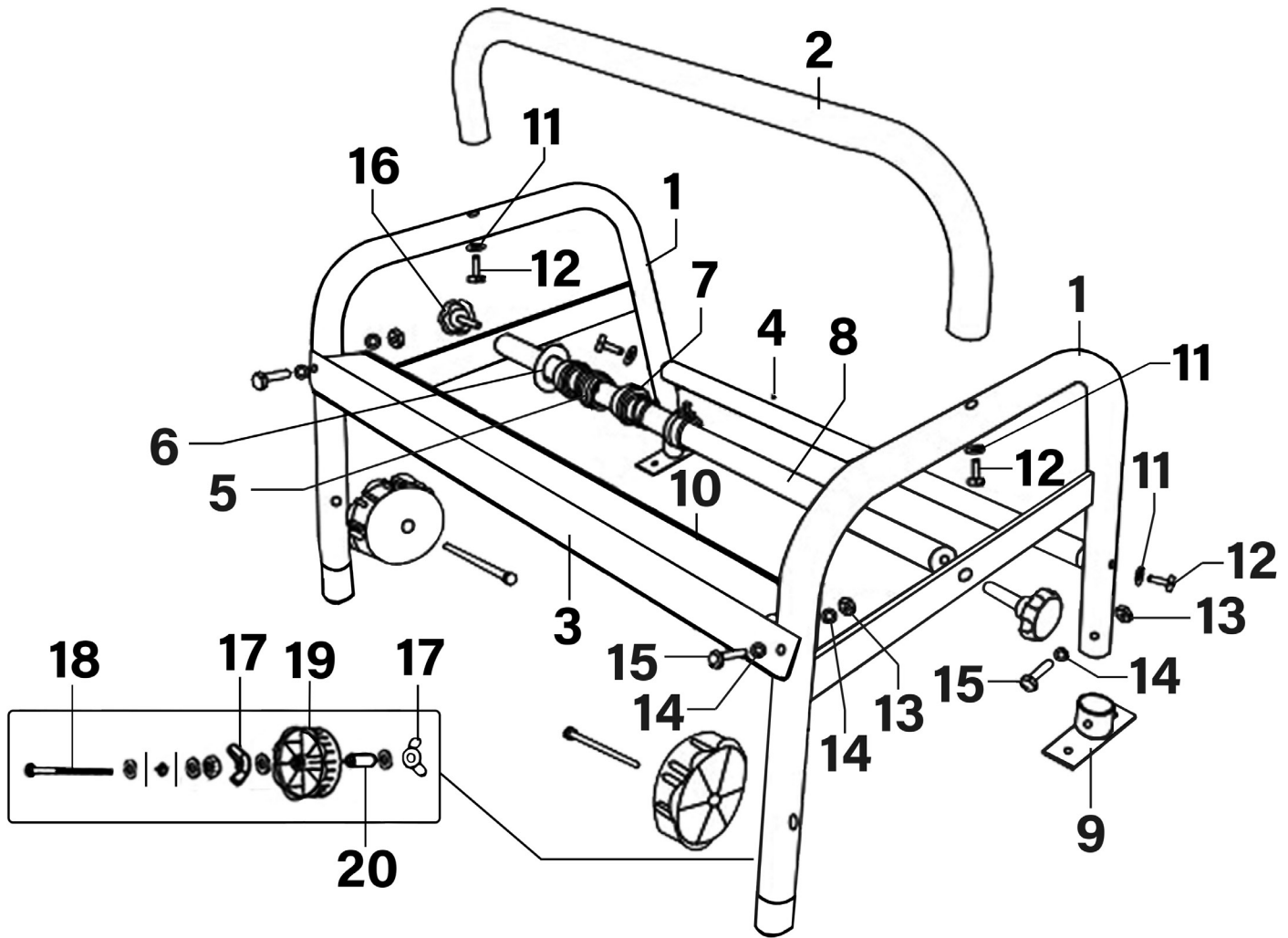


Parts Information:
**Masking Paper Dispenser for 1 x 450mm
 Floor Mounting
 Model No: MK65.V3**



Item	Part No.	Description	Qty
1	MK65-V3-01	Frame Side	2
2	MK65-V3-02	Top Handle	1
3	MK65-V3-03	Cutting Blade	1
4	MK65-V3-04	Side Cross Bar	1
5	MK65-V3-05	Paper Retainer Spring	2
6	MK65-V3-06	Paper Retainer Washer	4
7	MK65-V3-07	Paper Retainer Ring	4
8	MK65-V3-08	Paper Bar	1
9	MK65-V3-09	Wall Mounting Bracket	2
10	MK65-V3-10	Cutting Blade Spring	1
11	FWM8.S	Flat Washer M8 Zinc	4

Item	Part No.	Description	Qty
12	MK65-V3-12	Screw M8	4
13	SN6.S	Steel Nut M6 Zinc	6
14	FWM6.S	Flat Washer M6 Zinc	16
15	MK65-V3-15	Screw M16	8
16	MK65-V3-16	Knob, Fixing Plastic, Threaded Male Fitting	2
17	MK65-V3-17	Wing Nut	4
18	MK65-V3-18	Long Bolt	2
19	MK65-V3-19	Masking Tape Reel	2
20	MK65-V3-20	Tube Sleeve	2

NOTE: It is our policy to continually improve products and as such we reserve the right to alter data, specifications and component parts without prior notice. There may be alternative versions of this product, please contact us should you require this information.

IMPORTANT: No liability is accepted for incorrect use of product. Spare parts must be fitted by a competent person

WARRANTY: Guarantee is 12 months from purchase date, proof of which will be required for any claim.