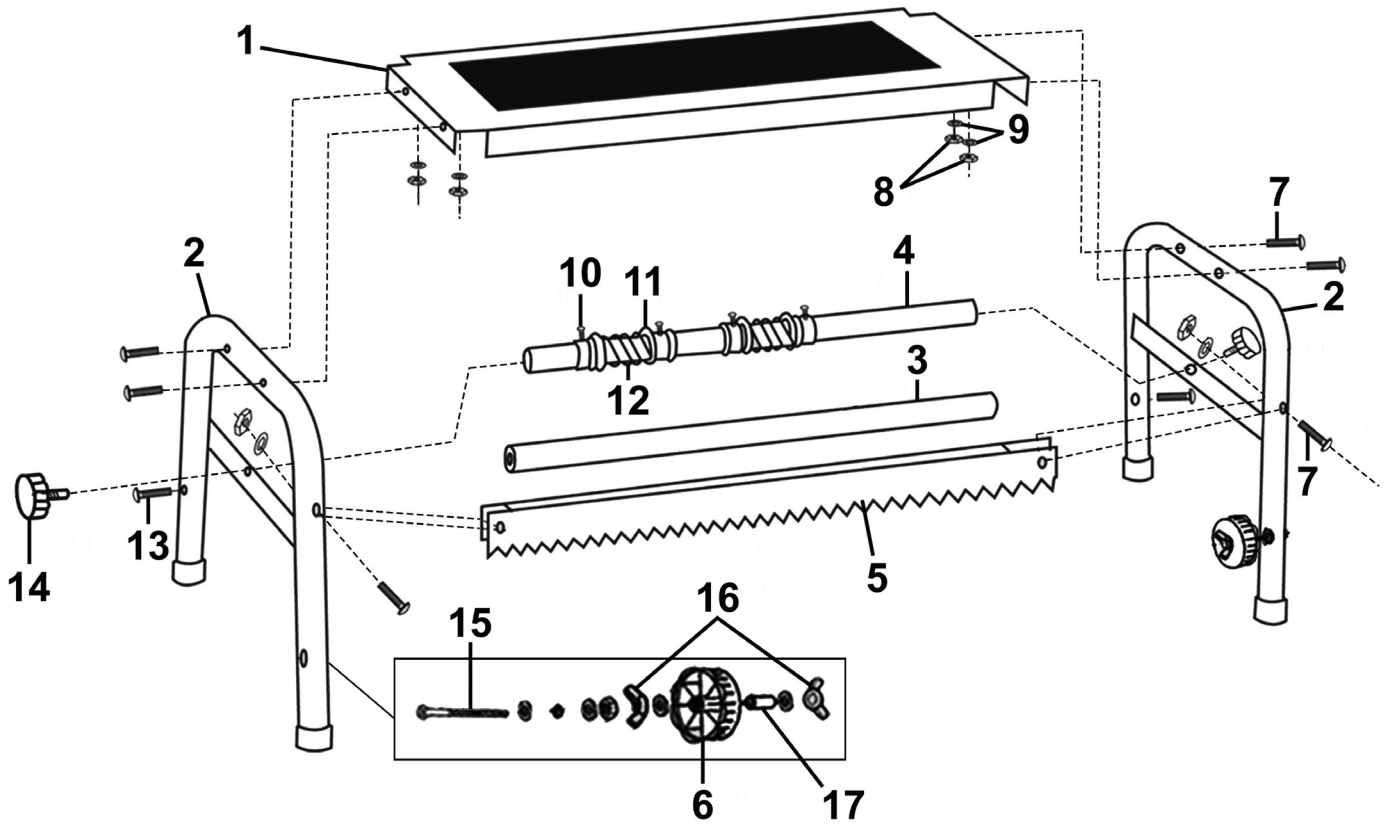


Parts Information:
Masking Paper Dispenser Step-Up 1 x 450mm Roll
Model No: MK64.V2



Item	Part No.	Description	Qty
1	MK64-V2-01	Top Platform	1
2	MK64-V2-02	Frame Side	2
3	MK64-V2-03	Side Cross Bar	1
4	MK64-V2-04	Paper Bar	1
5	MK64-V2-05	Cutting Blade	1
6	MK64-V2-06	Masking Tape Reel	2
7	SS640.S	Hex Head Set Screw M6 X 40 Zinc	6
8	SN6.S	Steel Nut M6 Zinc	8
9	FWM6.S	Flat Washer M6 Zinc	12

Item	Part No.	Description	Qty
10	MK64-V2-10	Paper Retainer Ring	4
11	MK64-V2-11	Paper Retainer Washer	4
12	MK64-V2-12	Paper Retainer Spring	2
13	SS840.S	Hex Head Set Screw M8 X 40 Zinc	2
14	MK64-V2-14	Knob, Fixing Plastic, Threaded Male Fitting	2
15	MK64-V2-15	Hex Head Set Screw M6 X 100 Zinc	2
16	SN6.SW	Wing Nut M6 Zinc	4
17	MK64-V2-17	Tube Sleeve	2

NOTE: It is our policy to continually improve products and as such we reserve the right to alter data, specifications and component parts without prior notice. There may be alternative versions of this product, please contact us should you require this information.

IMPORTANT: No liability is accepted for incorrect use of product. Spare parts must be fitted by a competent person

WARRANTY: Guarantee is 12 months from purchase date, proof of which will be required for any claim.