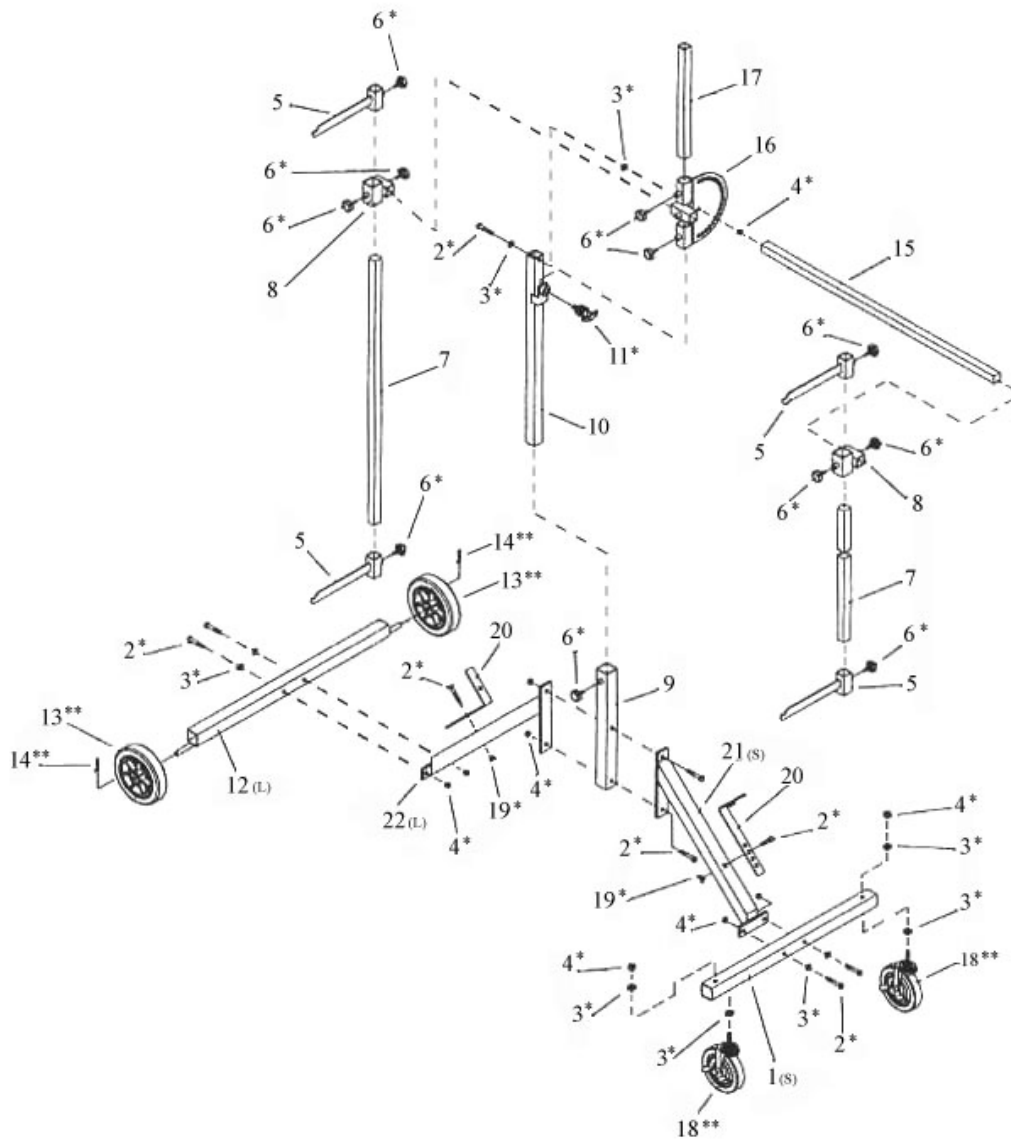


Parts Information:
Panel Stand - Door, Wing, Bonnet & Bumper
Model No: MK51



Item	Part No.	Description
1	MK51.01	Side Leg (Base Tube)
2	MK51.02	Screw
*	MK51.02A	Screw Set (Includes 2,3,4,6,11,19,20)
3	MK51.03	Washer
4	NLN38.UNC	Nyloc Nut 3/8" unc (Single)
5	MK51.05	Support For Upright (Set Tube)
6	MK51.06	Knob
7	MK51.07	Upright Frame,Side (Erect Tube)
8	MK51.08	Support For Upright (Set Tube)
9	MK51.09	Upright Frame Support (Bottom Erect Tube)
10	MK51.10	Upright Frame (Top Erect Tube)
11	MK51.11	Lock Pin

Item	Part No.	Description
12	MK51.12	Side Leg (Base Tube)
13	MK51.13	Wheel,Fixed (175x13x37)
**	MK51.13A	Wheel Set
14	MK51.14	Snap Ring
15	MK51.15	Extension Frame (Cross Tube)
16	MK51.16	Adjustable Angle Bracket (Angular Disc)
17	MK51.17	Extension Frame
18	MK51.18	Wheel,Castor(W/Brake)(125x7x25x145)
19	MK51.19	Wing Nut
20	MK51.20	Bracket (I Steel)
21	MK51.21	Base Support (Oblique Tube)
22	MK51.22	Base Support (Oblique Tube)

NOTE: It is our policy to continually improve products and as such we reserve the right to alter data, specifications and component parts without prior notice.

IMPORTANT: No liability is accepted for incorrect use of product.

WARRANTY: Guarantee is 12 months from purchase date, proof of which will be required for any claim.