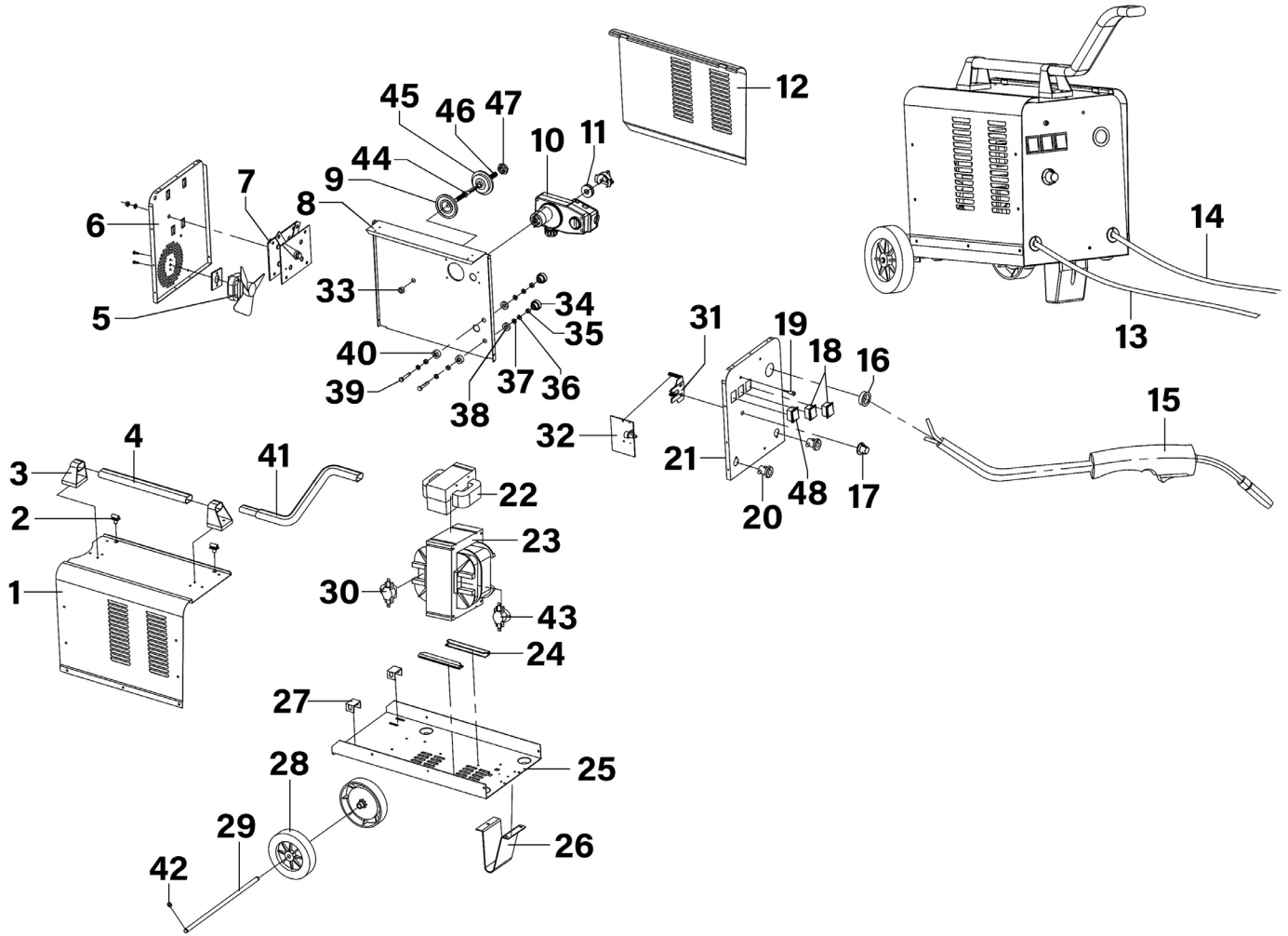




Parts Information:  
**Professional Gas/No-Gas MIG Welder 150A  
 230V**  
**Model No: MIGHTYMIG150.V3**



Item	Part No.	Description
1	MMIG150.V2-01	Side Panel, Left
2	M/MIG210.09	Hinge (Nut & Washer Fitting)
2	M/MIG210.09A	Hinge (Two Screw Fixing)
3	M/MIG150.03	Handle Socket
4	M/MIG150.04	Handle
5	M/MIG150.05	Fan
6	M/MIG150.06	Back Panel
7	M/MIG150.07	Rectifier
8	M/MIG150.08	Middle Panel
9	M/MIG150.09	Reel Holder
10	M/MIG150.10	Wire Feed Unit
11	M/MIG150.11	Wire Feed Roller
12	MMIG150.V2-12	Side Panel, Right
13	MC3CX1.5	Mains Cable Blk, 3 Core, 1.5mm <sup>2</sup> (per Metre)
14	M/MIG150.14	Earth Cable with Clamp (L:2m D:8mm)
15	M/MIG150.15	Mig Torch

Item	Part No.	Description
16	M/MIG150.16	Cover
17	M/MIG250.20	Knob, Speed Control, Plastic, Knurled, Red Top, Od: 25mm L: 20mm, 6mm Female Fitting
18	M/MIG150.18	Switch, Rocker (16A/250V)
19	M/MIG150.19	Overload Indicator
20	M/MIG170.63	Cable Grip
21	MMIG150.V2-21	Front Panel
22	M/MIG150.22	Filter Reactor
23	M/MIG150.23	Main Transformer
24	M/MIG150.24	Transformer Bracket
25	M/MIG150.25	Bottom Plate
26	M/MIG150.26	Foot
27	M/MIG150.27	Axle Bracket
28	M/MIG150.28	Wheel, Fixed Plastic (D:125 W:25 B:10)
29	M/MIG150.29	Axle
30	MMIG150-V3-30	Thermal Protection

**NOTE:** It is our policy to continually improve products and as such we reserve the right to alter data, specifications and component parts without prior notice. There may be alternative versions of this product, please contact us should you require this information.

**IMPORTANT:** No liability is accepted for incorrect use of product. Spare parts must be fitted by a competent person

**WARRANTY:** Guarantee is 12 months from purchase date, proof of which will be required for any claim.

Sealey Group, Kempson Way, Suffolk Business Park, Bury St Edmunds, Suffolk. IP32 7AR



01284 757500



sales@sealey.co.uk



www.sealey.co.uk



Parts Information:  
**Professional Gas/No-Gas MIG Welder 150A  
230V**  
**Model No: MIGHTYMIG150.V3**

Item	Part No.	Description
31	M/MIG150.31	Control Circuit Board Bracket
32	M/MIG150.32	PCB, Control Board, 102 X 75mm, c/w Potentiometer & Fuse
33	MMIG150-V3-33	Steel Nut
34	M/MIG150.34	Knob, Plastic, Knurled, Od: 24mm, M5 Threaded Female Fitting
35	M/MIG150.35	Nut M6 Brass
36	SWM6.SB	Spring Washer M6 Black
37	RW619.S	Repair Washer M6 X 19 Zinc
38	M/MIG150.38	Insulating Washer
39	M/MIG150.39	Screw M6 X 35
40	M/MIG150.40	Insulating Washer
41	M/MIG150.41	Handle Extension
42	M/MIG150.42	E-Clip 7.8mm
43	MMIG150-V3-43	Thermal Control
44	MMIG150-V3-44	Spindle for Wire Wheel

Item	Part No.	Description
45	MMIG150-V3-45	Retainer
46	MMIG150-V3-46	Spring
47	MMIG150-V3-47	Reel Locking Knob
48	MMIG150-V3-48	Switch, Illuminated On/Off Rocker
--	TG100/1	Flux Cored Mig Wire 0.9Kg Ø0.9mm A5.20 Class E71T-Gs
--	TG100/2	Contact Tip 1mm MB25/MB36 Pack of 5
--	DAS150TV3-36	Rd Head S/T Screw M4 X 12 Black
--	DAS150TV3-42	Rd Head S/T Screw M4 X 20
--	M/MIG150.43	Guide Hose for Liner
--	MIG/GH	Hose, Gas Per Metre (5mm ID Black Nylon Hose)
--	SMIG180.V3-43	Gas Hose 6mm x 8mm x 1040mm
--	SMIG130.08	Belt
--	M/MIG150.STR	Tank Strap

**NOTE:** It is our policy to continually improve products and as such we reserve the right to alter data, specifications and component parts without prior notice. There may be alternative versions of this product, please contact us should you require this information.

**IMPORTANT:** No liability is accepted for incorrect use of product. Spare parts must be fitted by a competent person

**WARRANTY:** Guarantee is 12 months from purchase date, proof of which will be required for any claim.

**Sealey Group**, Kempson Way, Suffolk Business Park, Bury St Edmunds, Suffolk. IP32 7AR



01284 757500



sales@sealey.co.uk



www.sealey.co.uk