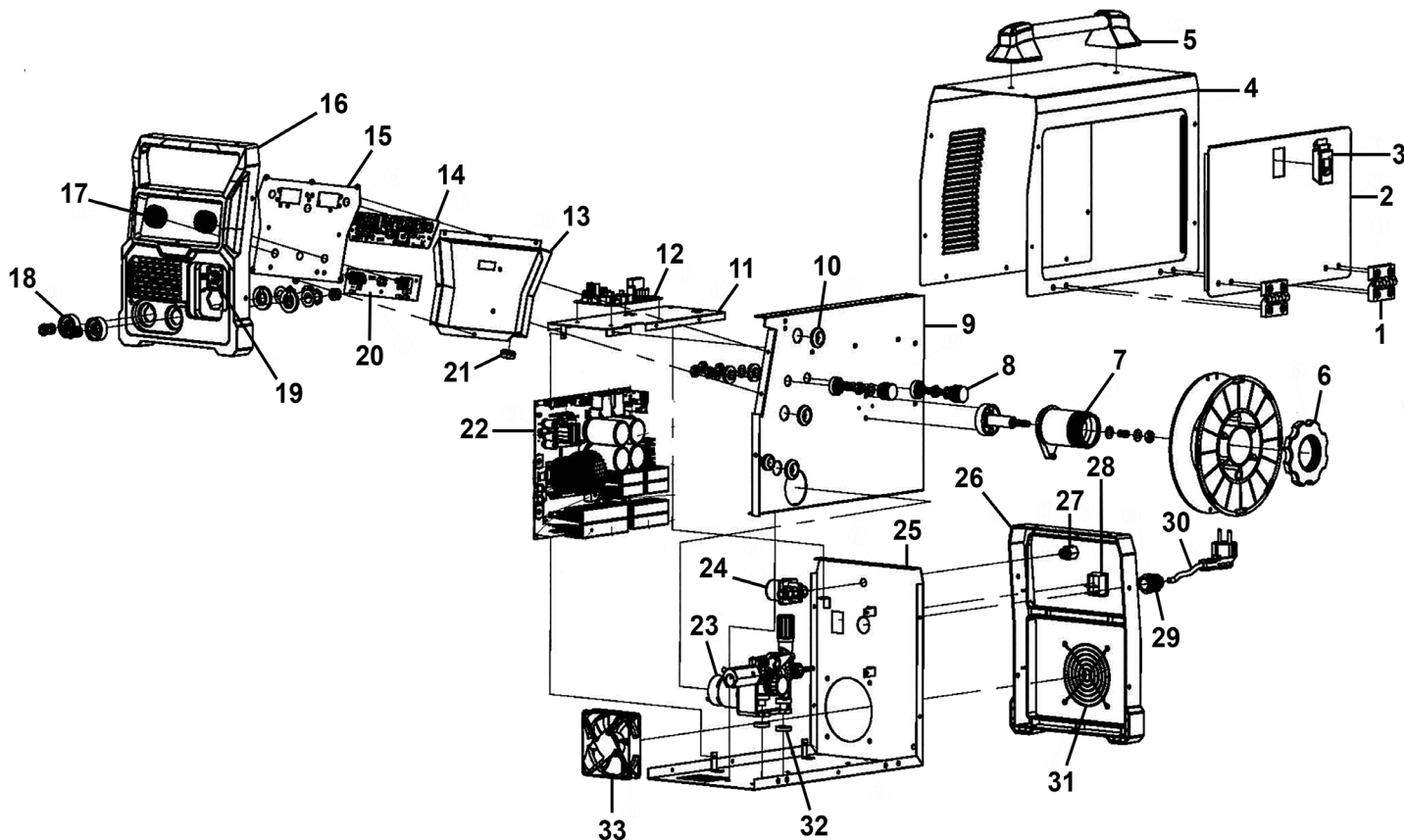


Parts Information:
**MIG/TIG & MMA (ARC/STICK) Inverter
 Welder 200A**
Model No: MIG200i



Item	Part No.	Description
1	MIG200I-01	Door Hinge
2	MIG200I-02	Door
3	MIG200I-03	Door Latch
4	MIG200I-04	Top Cover
5	MIG200I-05	Top Handle
6	MIG200I-06	Wire Feed Holder
7	MIG200I-07	Wire Feed Shaft
8	MIG200I-08	Conversion Terminal
9	MIG200I-09	Middle Panel
10	MIG200I-10	Protective Ring Ø20
11	MIG200I-11	Support Plate
12	MIG200I-12	Control Board
13	MIG200I-13	Front Panel Control Box
14	MIG200I-14	Display PCB
15	MIG200I-15	Front Panel
16	MIG200I-16	Plastic Fame, Front
17	MIG200I-17	Potentiometer Knob
18	MIG200I-18	Euro Connector

Item	Part No.	Description
19	MIG200I-19	Socket
20	MIG200I-20	Control PCB
21	MIG200I-21	Protective Ring Ø15
22	MIG200I-22	Main Control Board
23	MIG200I-23	Wire Feed Motor
24	MIG200I-24	Magnetic Valve
25	MIG200I-25	Bottom Panel
26	MIG200I-26	Plastic Frame, Rear
27	MIG200I-27	Gas Nozzle 1/4"NPT
28	MIG200I-28	Power Switch
29	MIG200I-29	Connector
30	MIG200I-30	Power Cable
31	MIG200I-31	Fan Cover
32	MIG200I-32	Protection Foot
33	MIG200I-33	Fan
--	MIG200I-34	Mig Torch 2.8m (Not Shown)
--	MIG200I-35	Earth Cable/Clamp 1.4m (Not Shown)
--	MIG200I-36	Electrode Holder 1.6m (Not Shown)

NOTE: It is our policy to continually improve products and as such we reserve the right to alter data, specifications and component parts without prior notice. There may be alternative versions of this product, please contact us should you require this information.

IMPORTANT: No liability is accepted for incorrect use of product. Spare parts must be fitted by a competent person

WARRANTY: Guarantee is 12 months from purchase date, proof of which will be required for any claim.