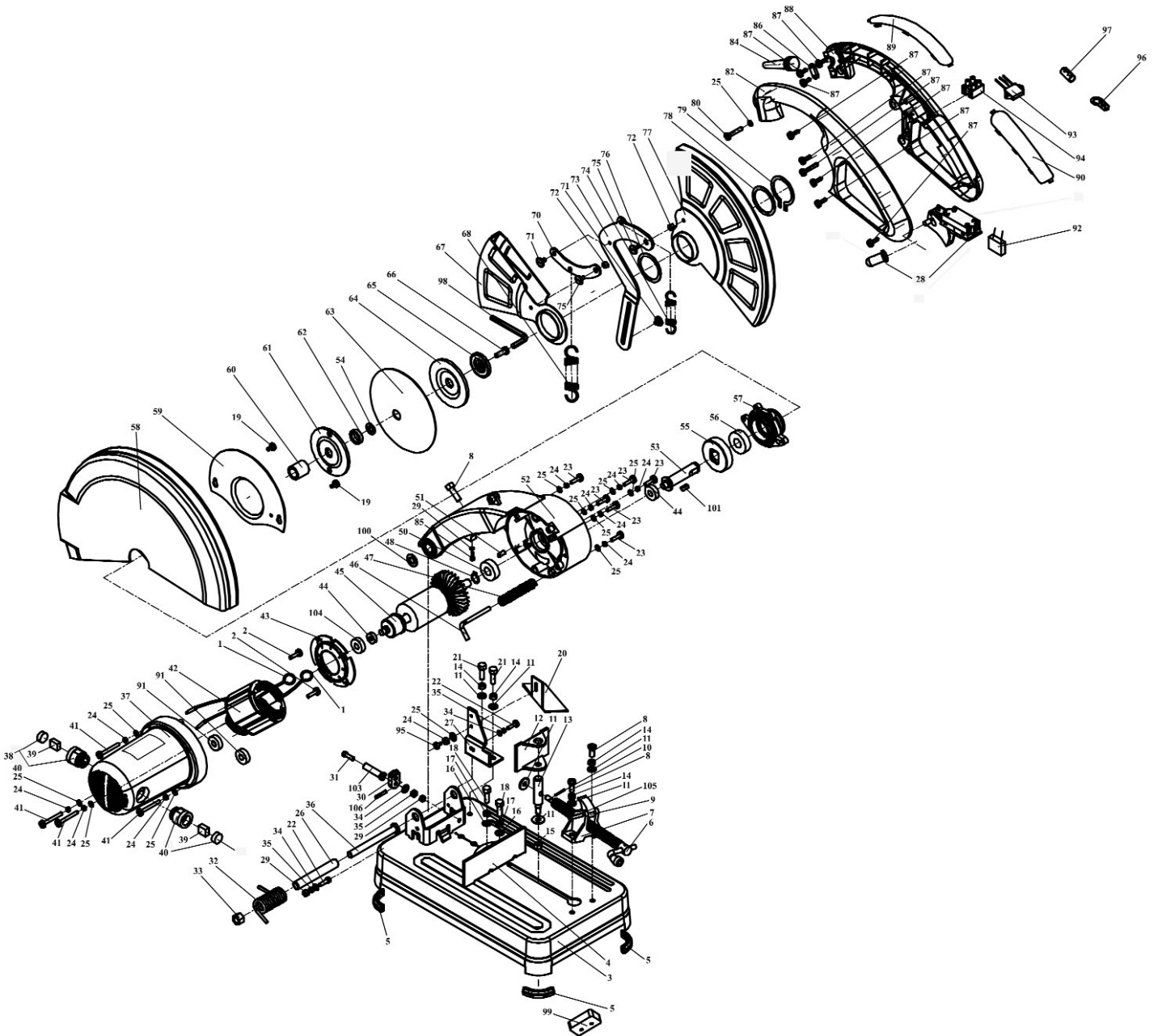




Parts Information:  
Cut-Off Machine 355mm 230V Portable  
Model No: MG314/230V.V2



**NOTE:** It is our policy to continually improve products and as such we reserve the right to alter data, specifications and component parts without prior notice.

**IMPORTANT:** No liability is accepted for incorrect use of product.

**WARRANTY:** Guarantee is 12 months from purchase date, proof of which will be required for any claim.

Sealey Group, Kempson Way, Suffolk Business Park, Bury St Edmunds, Suffolk. IP32 7AR



01284 757500



01284 703534



sales@sealey.co.uk



www.sealey.co.uk



Parts Information:  
**Cut-Off Machine 355mm 230V Portable**  
**Model No: MG314/230V.V2**

Item	Part No.	Description
1	MG314.V2-01	TERMINAL
2	MG314.V2-02	SCREW (ST5x80)
3	MG314.V2-03	BASE
4	MG314.V2-04	FIXED CLAMP
5	MG314.V2-05	RUBBER BASE
6	MG314.V2-06	CLAMPING SCREW
7	MG314.V2-07	CLAMPING NUT BODY
8	MG314.V2-08	SCREW (M8x30)
9	MG314.V2-09	CLAMPING NUT
10	MG314.V2-10	COTTER PIN (2x20)
11	MG314.V2-11	WASHER (8mm)
12	MG314.V2-12	ACTIVE CLAMP
13	MG314.V2-13	PIN SHAFT
14	MG314.V2-14	SPRING WASHER (8mm)
15	NLN8.S	NYLOC NUT M8 ZINC DIN 985 (SINGLE)
16	MG314.V2-16	WASHER (10mm)
17	MG314.V2-17	SPRING WASHER (10mm)
18	MG314.V2-18	SCREW (M10x25)
19	SS58.S	HEX HEAD SET SCREW M5x8mm SINGLE
20	MG314.V2-20	PLATE
21	MG314.V2-21	SCREW (M8x25)
22	MG314.V2-22	SCREW (M6x14)
23	MG314.V2-23	SCREW (M5x18)
24	SWM5.SB	SPRING WASHER M5 BLACK (SINGLE)
25	FWM5.S	FLAT WASHER M5 SINGLE
26	MG314.V2-26	SHAFT

Item	Part No.	Description
27	MG314.V2-27	BRACKET
28	MG314.V2-28	SWITCH 10A 250VAC
29	MG314.V2-29	HEX NUT
30	MG314.V2-30	LIMIT STOP
31	SCB620.S	SOCKET CAP BOLT ZINC M6X20
32	MG314.V2-32	TORSION SPRING
33	NLN12.S	NYLOC NUT M12 ZINC DIN 985 (SINGLE)
34	MG314.V2-34	WASHER (6mm)
35	MG314.V2-35	SPRING WASHER
36	MG314.V2-36	SCREW (M12x125)
37	MG314.V2-37	MOTOR HOUSING
38	MG314.V2-38	CARBON BRUSH CAP
39	MG314.V2-39	CARBON BRUSH (SINGLE)
40	MG314.V2-40	BRUSH HOLDER
41	MG314.V3-80	TAPPING SCREW (ST5x30)
42	MG314.V2-42	STATOR
43	MG314.V2-43	AIR DEFLECTOR
44	B/6000ZZ	BEARING 6000ZZ
45	MG314.V2-45	ARMATURE 230V
46	MG314.V2-46	LOCK PIN
47	MG314.V2-47	SPRING
48	MG314.V2-48	CIRCLIP (15mm)
50	B/6202-2RS	BEARING 6202-2RS
51	MG314.V2-51	PIN
52	MG314.V2-52	HOUSING

**NOTE:** It is our policy to continually improve products and as such we reserve the right to alter data, specifications and component parts without prior notice.

**IMPORTANT:** No liability is accepted for incorrect use of product.

**WARRANTY:** Guarantee is 12 months from purchase date, proof of which will be required for any claim.

Sealey Group, Kempson Way, Suffolk Business Park, Bury St Edmunds, Suffolk. IP32 7AR



01284 757500



01284 703534



sales@sealey.co.uk



www.sealey.co.uk



Parts Information:  
**Cut-Off Machine 355mm 230V Portable**  
**Model No: MG314/230V.V2**

Item	Part No.	Description
53	MG314.V2-53	SHAFT
54	MG314.V2-54	O-RING
55	MG314.V2-55	BIG GEAR
56	B/6203ZZ	BEARING 6203ZZ
57	MG314.V2-57	BEARING HOLDER
58	MG314.V2-58	GUARD
59	MG314.V2-59	OUTER GUARD
60	MG314.V2-60	BUSHING
61	MG314.V2-61	INNER FLANGE
62	MG314.V2-62	SEAL
63	PTC/355C	CUTTING DISC 355 x 3.0mm 25.4mm BORE
64	MG314.V2-64	OUTER FLANGE
65	MG314.V2-65	SMALL FLANGE
66	SCB1020.S	SOCKET CAP BOLT ZINC M10X20
67	MG314.V2-67	PROTECTION COVER (SMALL)
68	MG314.V2-68	RETURN SPRING
70	MG314.V2-70	CONNECTING ROD
71	MG314.V2-71	SCREW
72	NLN5.S	NYLOC NUT M5 ZINC DIN 985 (SINGLE)
73	MG314.V2-73	CONNECTING ROD
74	MG314.V2-74	RETURN SPRING
75	MG314.V2-75	SCREW
76	MG314.V2-76	SPACER
77	MG314.V2-77	PROTECTION COVER
78	MG314.V2-78	SPACER
79	MG314.V2-79	CIRCLIP (48mm)

Item	Part No.	Description
80	MG314.V2-80	SCREW
82	MG314.V2-82	LEFT HANDLE
--	MG314.V2-83	SWITCH PLATE (NOT SHOWN)
84	MG314.V2-84	RUBBER SLEEVE
85	MG314.V2-85	SCREW
86	MG314.V2-86	CORD CLAMP
87	MG314.V2-87	SCREW
88	MG314.V2-88	RIGHT HANDLE
89	MG314.V2-89	HANDLE SLEEVE
90	MG314.V2-90	HANDLE SLEEVE
91	MG314.V2-91	INDUCTANCE
92	MG314.V2-92	CAPACITOR 0.47uf 250/275v 2.5x1.5
93	MG314.V2-93	SOFT START
94	MG314.V2-94	TERMINAL BLOCK
95	MG314.V2-95	SCREW
96	MG314.V2-96	R-TYPE TERMINAL
97	MG314.V2-97	TERMINAL
98	MG314.V2-98	SPANNER
99	MG314.V2-99	BALANCE BLOCK
100	MG314.V2-100	WASHER
101	MG314.V2-101	KEY
--	MG314.V2-102	SWITCH BUTTON (NOT SHOWN)
103	MG314.V2-103	BACK COVER
104	MG314.V2-104	SEAL
105	MG314.V2-105	SPRING PIN M6.5 X 30
106	MG314.V2-106	SPRING PIN

**NOTE:** It is our policy to continually improve products and as such we reserve the right to alter data, specifications and component parts without prior notice.

**IMPORTANT:** No liability is accepted for incorrect use of product.

**WARRANTY:** Guarantee is 12 months from purchase date, proof of which will be required for any claim.

**Sealey Group**, Kempson Way, Suffolk Business Park, Bury St Edmunds, Suffolk. IP32 7AR



01284 757500



01284 703534



sales@sealey.co.uk



www.sealey.co.uk