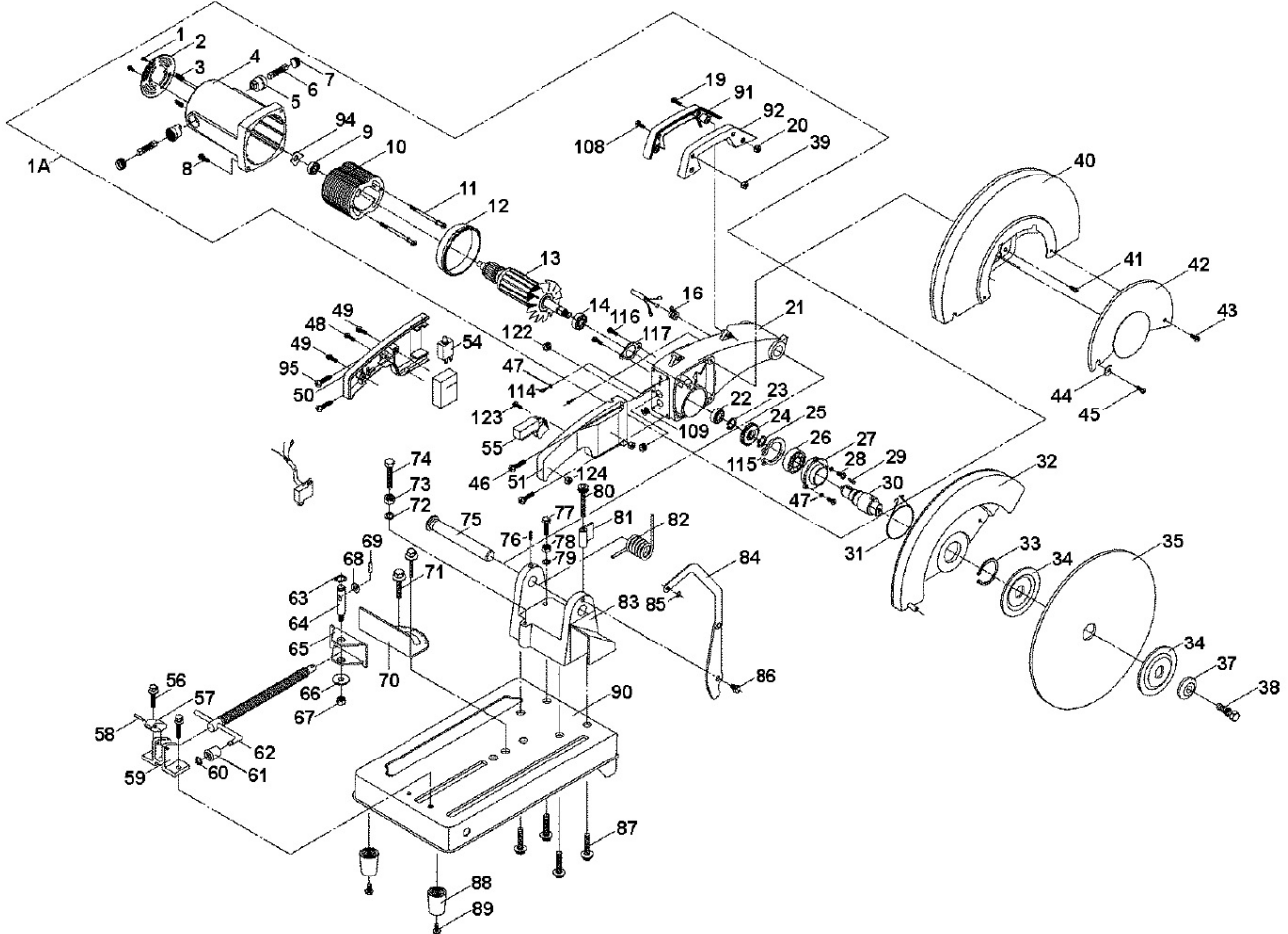




Parts Information:
Cut-Off Machine 355mm 110V Portable
Model No: MG214/110V.V2



NOTE: It is our policy to continually improve products and as such we reserve the right to alter data, specifications and component parts without prior notice.

IMPORTANT: No liability is accepted for incorrect use of product.

WARRANTY: Guarantee is 12 months from purchase date, proof of which will be required for any claim.

Sealey Group, Kempson Way, Suffolk Business Park, Bury St Edmunds, Suffolk. IP32 7AR



01284 757500



01284 703534



sales@sealey.co.uk



www.sealey.co.uk

| Item | Part No. | Description |
|------|---------------|---|
| 1 | MG214.V2-001 | Screw |
| 1A | MG214.V2-001B | Motor assembly, 110v |
| 2 | MG214.V2-002 | Rear cover |
| 3 | MG214.V2-003 | Screw |
| 4 | MG214.V2-004 | Motor housing |
| 5 | MG214.V2-005 | Brush holder |
| 6 | MG214.V2-006 | Carbon brush (single) |
| 7 | MG214.V2-007 | Brush cap |
| 8 | MG214.V2-008 | Screw |
| 9 | B/6200ZZ | Bearing 6200zz |
| 10 | MG214.V2-010B | Field coil asm, 110v |
| 11 | MG214.V2-011 | Screw |
| 12 | MG214.V2-012 | Plastic ring |
| 13 | MG214.V2-013B | Rotor asm, 110v |
| 14 | B/6002-2RS | Bearing 6002-2rs |
| 16 | MG214.V2-016 | Strain relief |
| 19 | MG214.V2-019 | Screw |
| 20 | SN4.SB | Steel nut m4 black (single) |
| 21 | MG214.V2-021 | Arm |
| 22 | B/608ZZ | Bearing 608zz |
| 23 | MG214.V2-023 | C-ring |
| 24 | MG214.V2-024 | Gear |
| 25 | MG214.V2-025 | C-ring |
| 26 | B/6006ZZ | Bearing 6006zz |
| 27 | MG214.V2-027 | Side cover |
| 28 | MG214.V2-028 | Screw |
| 29 | MG214.V2-029 | Key |
| 30 | MG214.V2-030 | Shaft |
| 31 | MG214.V2-031 | Spring |
| 32 | MG214.V2-032 | Safety guard |
| 33 | MG214.V2-033 | C-ring |
| 34 | MG214.V2-034 | Flange, inner |
| 35 | PTC/355C | Cutting Disc Ø355 x 3mm 25.4mm Bore |
| 37 | MG214.V2-037 | Washer |
| 38 | SS1025.SB | Hex head set screw m10x25mm single black |
| 39 | SN5.SB | Steel nut m5 black (single) |
| 40 | MG214.V2-040 | Wheel cover |
| 41 | MG214.V2-041 | Screw |
| 42 | MG214.V2-042 | Side cover |
| 43 | MSP516.SB | Machine screw pan head black m5x16mm |
| 44 | MG214.V2-044 | Repair washer m5 |
| 45 | MG214.V2-045 | Screw |
| 46 | MG214.V2-046 | Screw |
| 47 | MG214.V2-047 | Washer |
| 48 | MSP530.SB | Machine screw pan head phillips m5x30mm black |
| 49 | MSP525.SB | Machine screw pan head phillips m5x25mm black |
| 50 | MG214.V2-050 | Crank, left |
| 51 | MG214.V2-051 | Crank, right |

| Item | Part No. | Description |
|------|--------------|------------------------------|
| 54 | MG214.V2-054 | Overload switch |
| 55 | MG214.V2-055 | On/off switch |
| 56 | MG214.V2-056 | Screw |
| 57 | MG214.V2-057 | Quick release nut |
| 58 | MG214.V2-058 | Pin |
| 59 | MG214.V2-059 | Lead screw seat |
| 60 | MG214.V2-060 | C-ring |
| 61 | MG214.V2-061 | Handle |
| 62 | MG214.V2-062 | Lead screw |
| 63 | MG214.V2-063 | C-ring |
| 64 | MG214.V2-064 | Clamping shaft |
| 65 | MG214.V2-065 | Clamp (b) |
| 66 | MG214.V2-066 | Washer |
| 67 | NLN10.SB | Nyloc nut m10 black(single) |
| 68 | MG214.V2-068 | Flat washer |
| 69 | MG214.V2-069 | Pin |
| 70 | MG214.V2-070 | Clamp (a) |
| 71 | MG214.V2-071 | Screw |
| 72 | MG214.V2-072 | Spring washer |
| 73 | SN10.SB | Steel nut m10 black (single) |
| 74 | MG214.V2-074 | Screw |
| 75 | MG214.V2-075 | Shaft |
| 76 | MG214.V2-076 | Screw |
| 77 | MG214.V2-077 | Screw |
| 78 | MG214.V2-078 | Screw |
| 79 | MG214.V2-079 | Spring washer |
| 80 | MG214.V2-080 | Screw |
| 81 | MG214.V2-081 | Bracket plate |
| 82 | MG214.V2-082 | Torsion spring |
| 83 | MG214.V2-083 | Housing seat |
| 84 | MG214.V2-084 | Lever |
| 85 | MG214.V2-085 | E-ring |
| 86 | MG214.V2-086 | Screw |
| 87 | MG214.V2-087 | Screw |
| 88 | MG214.V2-088 | Rubber pad |
| 89 | MG214.V2-089 | Screw |
| 90 | MG214.V2-090 | Base |
| 91 | MG214.V2-091 | Crank, left |
| 92 | MG214.V2-092 | Crank, right |
| 94 | MG214.V2-094 | Wave / crinkle washer |
| 95 | MG214.V2-095 | Screw |
| 108 | MG214.V2-108 | Screw |
| 109 | MG214.V2-109 | Protection rubber |
| 114 | MG214.V2-114 | Screw |
| 115 | MG214.V2-115 | C-ring |
| 116 | MG214.V2-116 | Screw |
| 117 | MG214.V2-117 | Bearing cover |
| 122 | MG214.V2-122 | Protection rubber |
| 123 | MG214.V2-123 | Tapping screw |
| 124 | SN5.SB | Steel nut m5 black (single) |

NOTE: It is our policy to continually improve products and as such we reserve the right to alter data, specifications and component parts without prior notice.

IMPORTANT: No liability is accepted for incorrect use of product.

WARRANTY: Guarantee is 12 months from purchase date, proof of which will be required for any claim.

Sealey Group, Kempson Way, Suffolk Business Park, Bury St Edmunds, Suffolk. IP32 7AR



01284 757500



01284 703534



sales@sealey.co.uk



www.sealey.co.uk