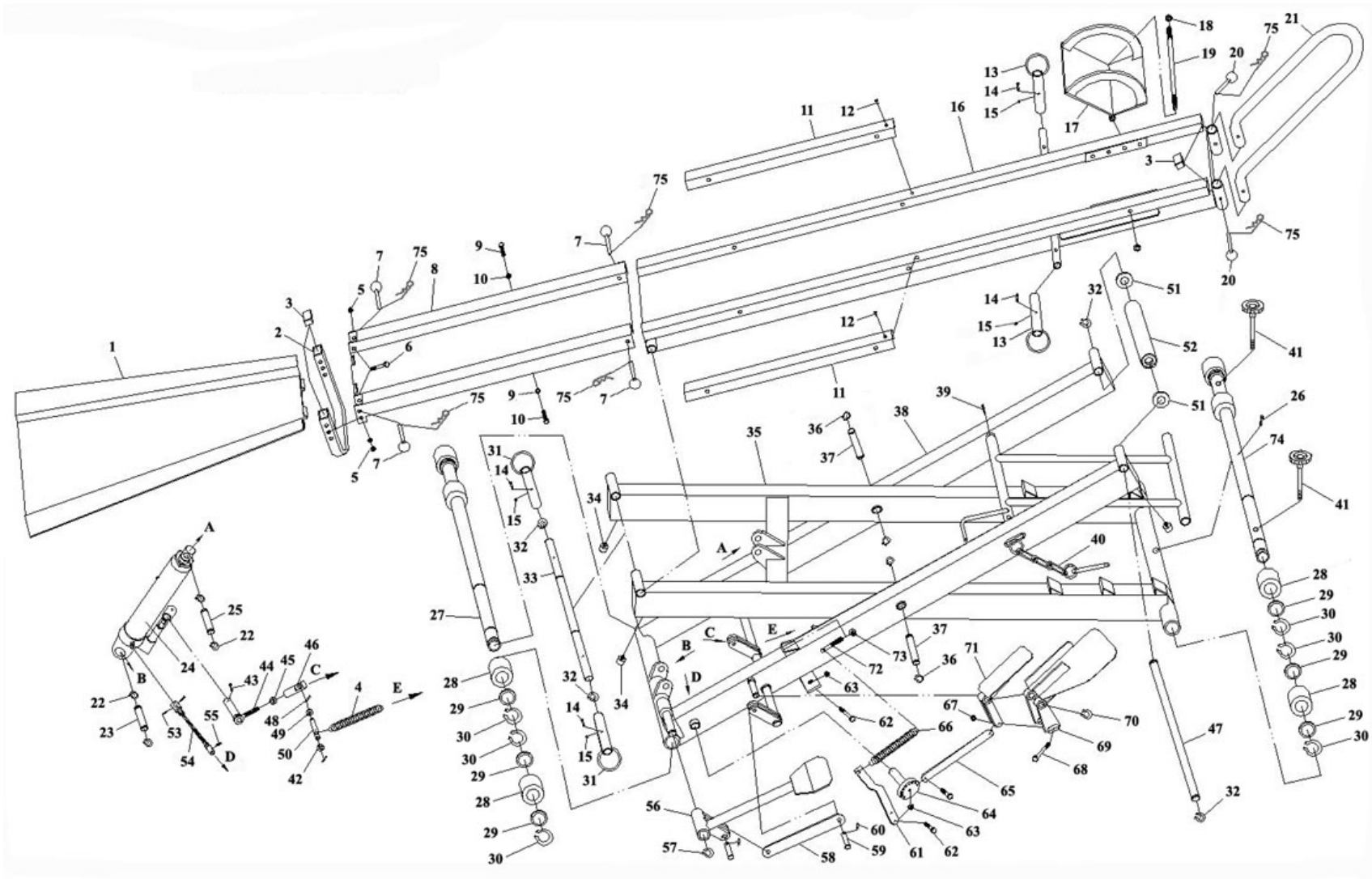




Parts Information:
Motorcycle Lift 450kg Capacity Hydraulic
Model No: MC450



NOTE: It is our policy to continually improve products and as such we reserve the right to alter data, specifications and component parts without prior notice.

IMPORTANT: No liability is accepted for incorrect use of product.

WARRANTY: Guarantee is 12 months from purchase date, proof of which will be required for any claim.

Sealey Group, Kempson Way, Suffolk Business Park, Bury St Edmunds, Suffolk. IP32 7AR



01284 757500



01284 703534



sales@sealey.co.uk



www.sealey.co.uk



Parts Information:
Motorcycle Lift 450kg Capacity Hydraulic
Model No: MC450

Item	Part No.	Description
1	MC450.01	RAMP
2	MC450.02	U-BRACKET
3	MC450.03	CAP
4	MC450.04	PUMP SPRING
5	NLN8.S	NYLOC NUT M8 ZINC DIN 985 (SINGLE)
6	SS845.S	HEX HEAD SET SCREW M8x45mm SINGLE
7	MC450.07	PIN ASS'Y
8	MC450.08	PULL RAMP
9	MC450.09	SCREW
10	SN8.S	STEEL NUT M8 ZINC DIN934 (SINGLE)
11	MC450.11	TELESCOPIC PLATE
12	MC450.12	RIVET
13	MC450.13	TIE-DOWN HOOK (FRONT)
14	SS635.S	HEX HEAD SET SCREW M6x35mm SINGLE
15	NLN6.S	NYLOC NUT M6 ZINC DIN 985 (SINGLE)
16	MC450.16	TABLE
17	MC450.17	WHEEL CLAMP
18	NLN12.S	NYLOC NUT M12 ZINC DIN 985 (SINGLE)
19	MC450.19	BOLT M12X230
20	MC450.20	COTTER PIN
21	MC450.21	FRONT WHEEL ATTACHMENT
22	MC450.22	RETAINING RING
23	MC450.23	PUMP BASE PIN
24	MC450.24	PUMP
25	MC450.25	PUMP ROD PIN
26	SS845.S	HEX HEAD SET SCREW M8x45mm SINGLE
27	MC450.27	LEG
28	MC450.28	WHEEL, FIXED (64x33x29)
29	MC450.29	SEALING WASHER
30	MC450.30	RETAINING RING
31	MC450.31	TIE-DOWN HOOK (REAR)
32	MC450.32	RETAINING RING
33	MC450.33	PIN
34	MC450.34	RUBBER BUMP STOP
35	MC450.35	SCISSOR ARM (INNER)
36	MC450.36	RETAINING RING
37	MC450.37	PIN
38	MC450.38	SCISSOR ARM (OUTER)

Item	Part No.	Description
39	MC450.39	PIN
40	MC450.40	PIN ASS'Y
41	MC450.41	LOCK BOLT ASS'Y
42	MC450.42	WASHER
43	MSP510.S	MACHINE SCREW PAN HEAD PHILLIPS M5x10mm
44	MC450.44	LEVER LINKAGE
45	SN10.S	STEEL NUT M10 ZINC DIN934(SINGLE)
46	MC450.46	CONNECTING ROD
47	MC450.47	PIN
48	MC450.48	COTTER PIN
49	FWM12.S	FLAT WASHER M12 SINGLE
50	MC450.50	CONNECTING PIN
51	FWM22.S	FLAT WASHER M22 SINGLE
52	MC450.52	BUSHING
53	MSP46.S	MACHINE SCREW PAN HEAD PHILLIPS M4x6mm
54	MC450.54	RELEASE LINKAGE ROPE ASS'Y
55	MC450.55	SCREW
56	MC450.56	PUMP PEDAL
57	MC450.57	RETAINING RING
58	MC450.58	PUMP LINK ROD
59	MC450.59	PIN
60	MC450.60	PIN
61	MC450.61	SPRING LINK PLATE
62	SS830.S	HEX HEAD SET SCREW M8x30mm SINGLE
63	SN8.S	STEEL NUT M8 ZINC DIN934 (SINGLE)
64	MC450.64	RELEASE LINK RING
65	MC450.65	RELEASE LINK ROD
66	MC450.66	RELEASE SPRING
67	NLN10.S	NYLOC NUT M10 ZINC (SINGLE)
68	HHB1050.S	HEX HEAD BOLT M10x50mm SINGLE
69	MC450.69	LOAD PEDAL
70	MC450.70	RETAINING RING
71	MC450.71	NO LOAD PEDAL
72	MC450.72	SCREW
73	SN10.S	STEEL NUT M10 ZINC DIN934(SINGLE)
74	MC450.74	LEG
75	MC450.75	R-PIN

NOTE: It is our policy to continually improve products and as such we reserve the right to alter data, specifications and component parts without prior notice.

IMPORTANT: No liability is accepted for incorrect use of product.

WARRANTY: Guarantee is 12 months from purchase date, proof of which will be required for any claim.

Sealey Group, Kempson Way, Suffolk Business Park, Bury St Edmunds, Suffolk. IP32 7AR



01284 757500



01284 703534



sales@sealey.co.uk



www.sealey.co.uk