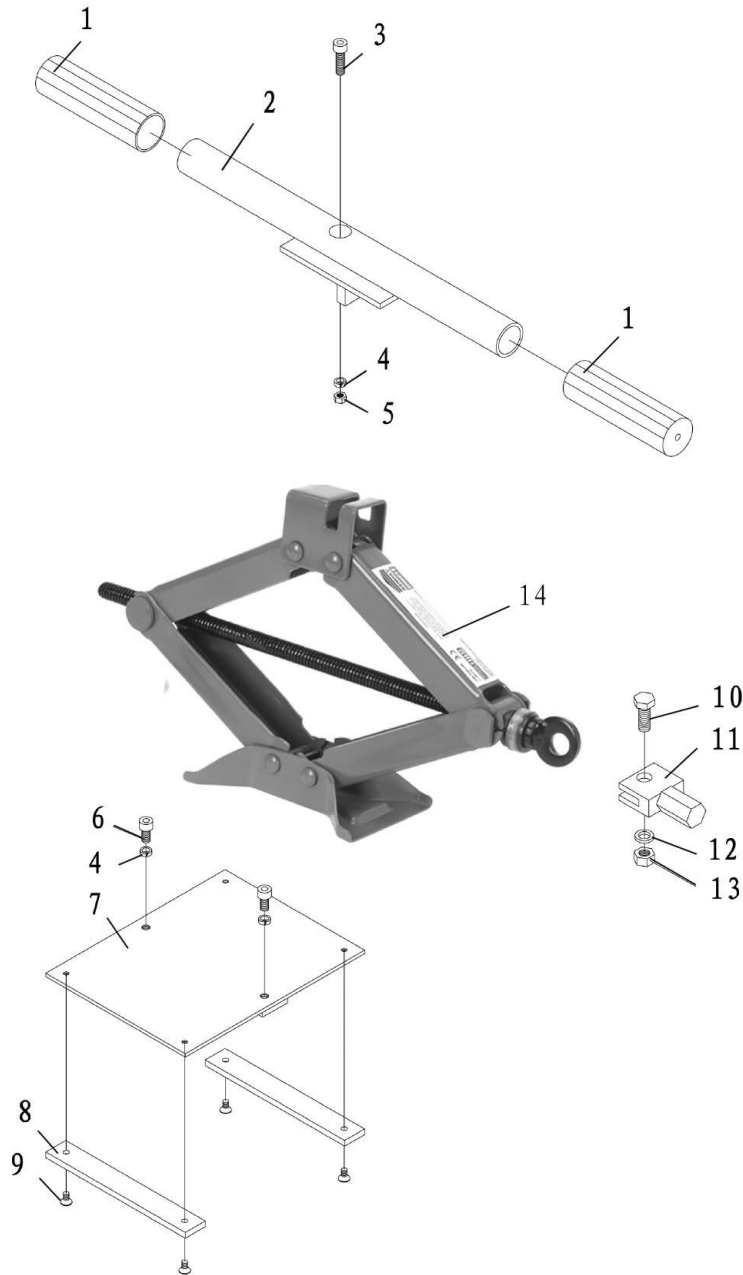




Parts Information:  
**Motorcycle Rear Lift for MC450 & MC550**  
**Model No: MC450RL**



Item	Part No.	Description
1	MC450RL.01	RUBBER GRIP
2	MC450RL.02	HANDLE
3	SCB630.SB	SOCKET HEAD CAP SCREW M6x30 BLACK
4	MC450RL.04	SPRING WASHER
5	MC450RL.05	NUT
6	SCB610.SB	SOCKET CAP BOLT BLACK M6x10
7	MC450RL.07	BOTTOM PLATE
8	MC450RL.08	RUBBER PLATE

Item	Part No.	Description
9	MC450RL.09	SCREW
10	MC450RL.10	BOLT
11	MC450RL.11	HEX HEAD
12	MC450RL.12	WASHER
13	MC450RL.13	NUT
14	57M	SCISSOR JACK HEAVY-DUTY 1tonne
--	57M-HANDLE	HANDLE FOR 57M/58M (NOT SHOWN)

**NOTE:** It is our policy to continually improve products and as such we reserve the right to alter data, specifications and component parts without prior notice.

**IMPORTANT:** No liability is accepted for incorrect use of product.

**WARRANTY:** Guarantee is 12 months from purchase date, proof of which will be required for any claim.

Sealey Group, Kempson Way, Suffolk Business Park, Bury St Edmunds, Suffolk. IP32 7AR



01284 757500



01284 703534



sales@sealey.co.uk



www.sealey.co.uk