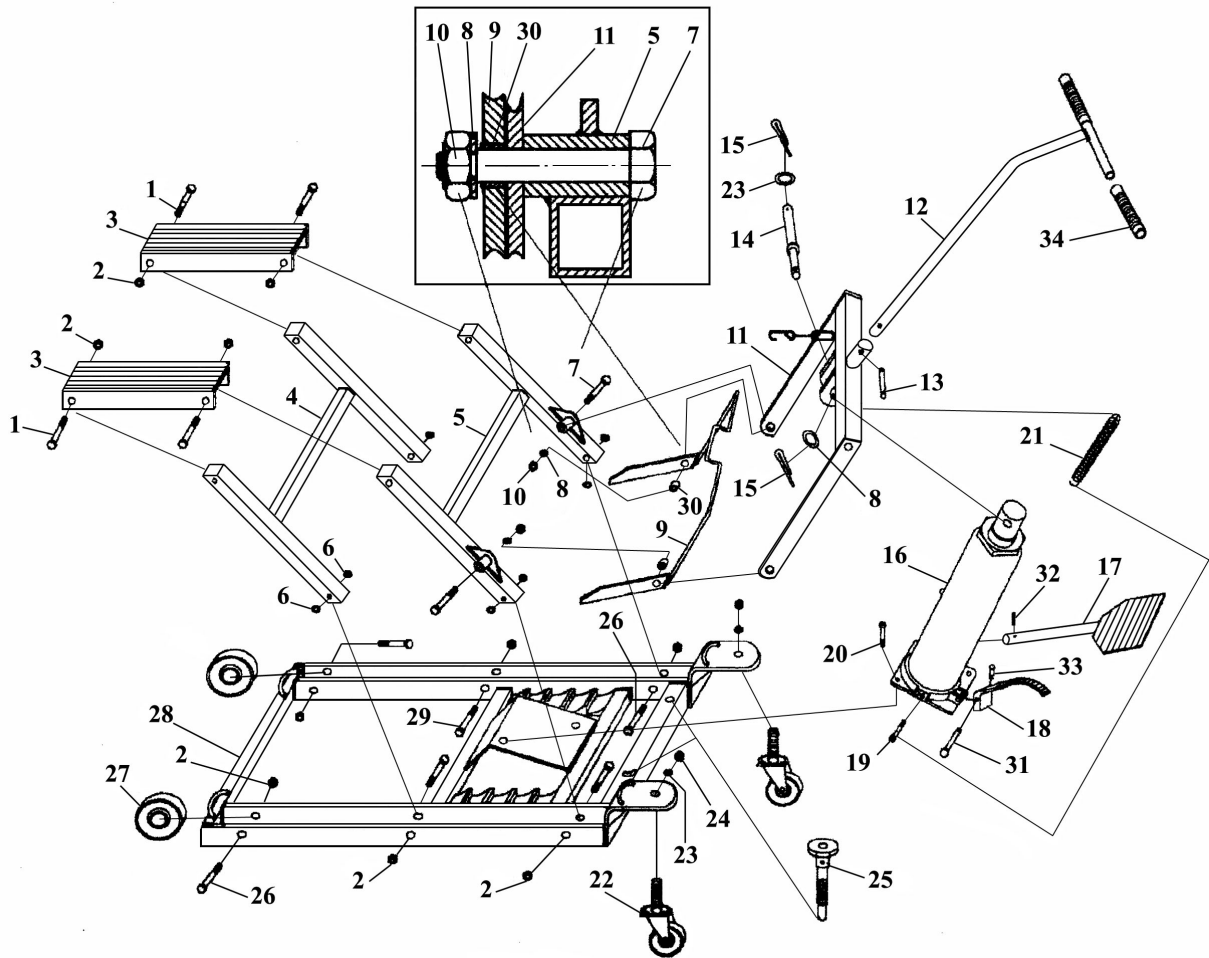


Parts Information:
Motorcycle & Quad Lift 680kg Capacity Hydraulic
Model No: MC402.V3



Item	Part No.	Description
1	MC402.V3-01	BOLT M12X80
2	NLN12.S	NYLOC NUT M12 ZINC DIN 985 (SINGLE)
3	MC402.V3-03	RUBBER PAD
4	MC402.V3-04	FRONT LIFT ARM
5	MC402.V3-05	REAR LIFT ARM
6	FWM12.S	FLAT WASHER M12 SINGLE
7	MC402.V3-07	BOLT M10X70 (55mm SHOULDER)
8	FWM10.S	FLAT WASHER M10 SINGLE
9	MC402.V3-09	STOP BAR
10	NLN10.S	NYLOC NUT M10 ZINC (SINGLE)
11	MC402.V3-11	LIFTING FRAME
12	MC402.V3-12	HANDLE ASS'Y
13	MC402.V3-13	PIN
14	MC402.V3-14	BOLT
15	MC402.V3-15	PIN (4x20)
16	MC402.V3-16	BOTTLE JACK
17	MC402.V3-17	FOOT PEDAL

Item	Part No.	Description
18	MC402.V3-18	RELEASE PEDAL
19	MC402.V3-19	SOCKET HEAD CAP SCREW M6x35
20	SCB815.SB	SOCKET HEAD CAP SCREW M8x15 BLACK
21	MC402.V3-21	SPRING
22	MC402.V3-22	SWIVEL CASTOR 61X31X16
23	FWM12.S	FLAT WASHER M12 SINGLE
24	SN12.SD	STEEL NUT M12 DOMED (SINGLE)
25	MC402.V3-25	LOCK BOLT ASS'Y
26	HHB1265.S	HEX HEAD BOLT M12x65mm SINGLE
27	MC402.V3-27	FRONT WHEEL 61X35X12
28	MC402.V3-28	BOTTOM BASE
29	BHSS1265.S	BUTTON HEAD SOCKET SCREW M12x65 ZINC
30	MC402.V3-30	BUSHING
31	MC402.V3-31	PIN (8*48)
32	MC402.V3-32	SCREW (M5x10)
33	MC402.V3-33	COTTER PIN (2.5*15)
34	MC402.V3-34	GRIP

NOTE: It is our policy to continually improve products and as such we reserve the right to alter data, specifications and component parts without prior notice.

IMPORTANT: No liability is accepted for incorrect use of product.

WARRANTY: Guarantee is 12 months from purchase date, proof of which will be required for any claim.