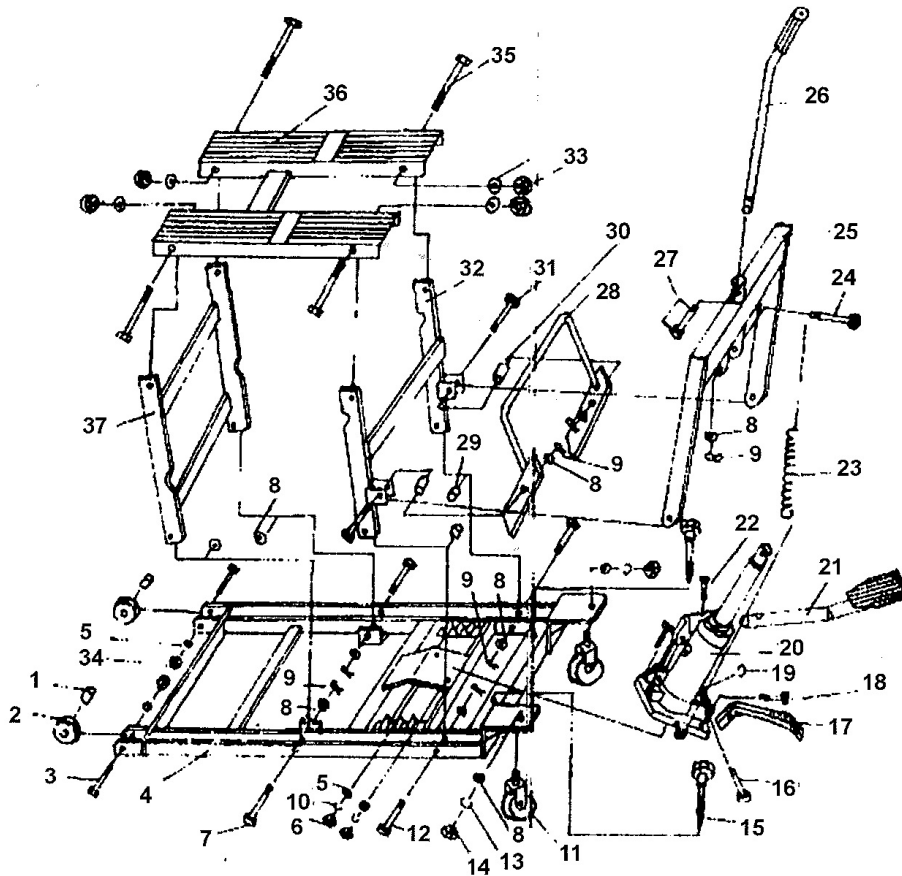


Parts Information:  
**Motorcycle & Quad Lift 680kg Capacity Hydraulic**  
**Model No: MC402.V2**



Item	Part No.	Description
1	MC402.V2-01	Bushing
2	MC402.V2-02	Fixed wheel 75x37x9
3	HHB865.S	Hex head bolt m8x65mm single
4	MC402.V2-04	Base
5	MC402.V2-05	Washer
6	SN8.S	Steel nut m8 zinc din934 (single)
7	MC402.V2-07	Pin
8	MC402.V2-08	Washer
9	MC402.V2-09	Split pin
10	MC402.V2-10	Spring washer
11	MC402.V2-11	Wheel,castor (75x9x30x110)
12	MC402.V2-12	Pin
13	MC402.V2-13	Spring washer
14	SN12.S	Steel nut m12 zinc din934(single)
15	MC402.V2-15	Locking bolt
16	MC402.V2-16	Pin
17	MC402.V2-17	Foot pedal
18	MC402.V2-18	Bolt m8x30
19	MC402.V2-19	Circlip

Item	Part No.	Description
20	MC402.V2-20	Hydraulic jack
21	MC402.V2-21	Lift pedal
22	MC402.V2-22	Bolt m8x20
23	MC402.V2-23	Spring
24	MC402.V2-24	Locking pin
25	MC402.V2-25	Pulling rod ass'y
26	MC402.V2-26	Handle
27	MC402.V2-27	Clevis pin 14x60
28	MC402.V2-28	Stop bar
29	MC402.V2-29	Washer
30	MC402.V2-30	Washer
31	MC402.V2-31	Pin
32	MC402.V2-32	Rear strut
33	NLN12.S	Nyloc nut m12 zinc din 985 (single)
34	NLN8.S	Nyloc nut m8 zinc din 985 (single)
35	MC402.V2-35	Bolt m12 x 115
36	MC402.V2-36	Saddle
37	MC402.V2-37	Front strut

**NOTE:** It is our policy to continually improve products and as such we reserve the right to alter data, specifications and component parts without prior notice.

**IMPORTANT:** No liability is accepted for incorrect use of product.

**WARRANTY:** Guarantee is 12 months from purchase date, proof of which will be required for any claim.