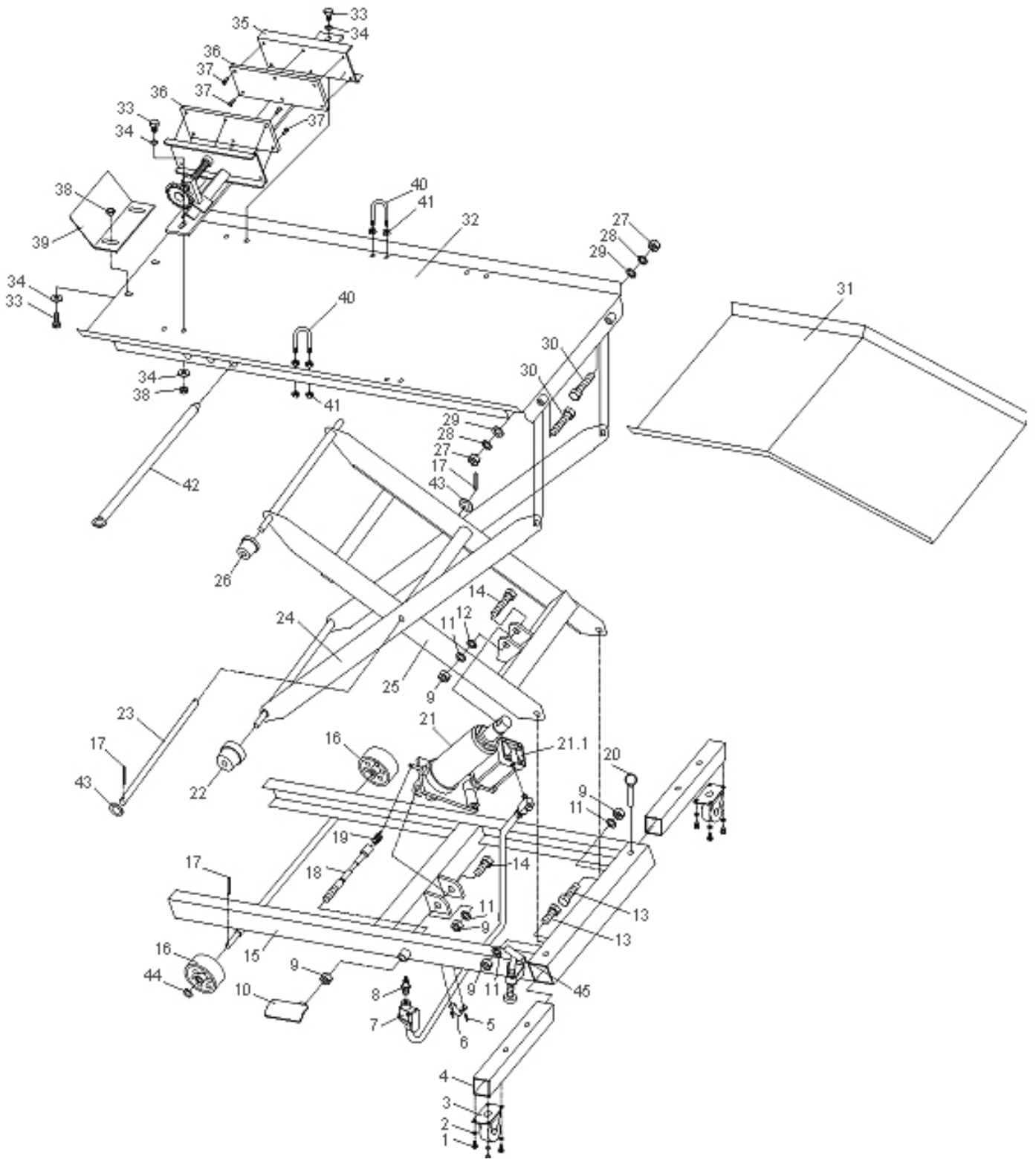




Parts Information:
**Motorcycle Lift 365kg Capacity Air/
Hydraulic**
Model No: MC365A



NOTE: It is our policy to continually improve products and as such we reserve the right to alter data, specifications and component parts without prior notice.

IMPORTANT: No liability is accepted for incorrect use of product.

WARRANTY: Guarantee is 12 months from purchase date, proof of which will be required for any claim.

Sealey Group, Kempson Way, Suffolk Business Park, Bury St Edmunds, Suffolk. IP32 7AR



01284 757500



01284 703534



sales@sealey.co.uk



www.sealey.co.uk



Parts Information:
**Motorcycle Lift 365kg Capacity Air/
Hydraulic
Model No: MC365A**

1	SS616.S	HEX HEAD SET SCREW M6x16mm SINGLE
2	FWM16.S	FLAT WASHER M16 SINGLE
3	MC365A.03	WHEEL, CASTOR (43x7x24x65)
4	MC365A.04	EXTENSION LEG
5	MC365A.05	PAN HEAD MACHINE SCREW M4X14
6	MC365A.06	AIR HOSE CLAMP
7	MC365A.07	AIR VALVE AND HOSE
8	MC365A.07	AIR VALVE AND HOSE
9	SN16.S	STEEL NUT M16 ZINC DIN934(SINGLE)
10	MC365A.10	FOOT PEDAL(RELEASE)
11	SWM16.S	SPRING WASHER M16 ZINC (SINGLE)
12	FWM16.S	FLAT WASHER M16 SINGLE
13	MC365A.13	BOLT M16x45
14	HHB1690.S	HEX HEAD BOLT M16x90mm SINGLE
15	MC365A.15	BASE ASSY
16	MC365A.16	WHEEL,FRONT FIXED (88x12x31)
17	MC365A.17	'R' CLIP
18	MC365A.18	SPINDLE,RELEASE VALVE
19	MC365A.19	SPRING
20	MC365A.20	PIN
21	MC365A.21	AIR JACK
21.1	MC365A.21A	AIR JACK MOTOR
22	MC365.V2-22	PLASTIC WHEEL (51x55x10mm)
23	MC365A.23	PIN (SO)
24	MC365A.24	LIFT ARM
25	MC365A.25	LIFT ARM

Item	Part No.	Description
26	MC365.V2-26	PLASTIC WHEEL (43x41x10mm)
27	SN12.S	STEEL NUT M12 ZINC DIN934(SINGLE)
28	SWM12.S	SPRING WASHER M12 ZINC (SINGLE)
29	FWM12.S	FLAT WASHER M12 SINGLE
30	SS1245.S	HEX HEAD SET SCREW M12x45mm SINGLE
31	MC365A.V2-31	LEADING PLATE
32	MC365A.V2-32	PLATFORM
33	SS1020.S	HEX HEAD SET SCREW M10x20mm SINGLE
34	FWM10.S	FLAT WASHER M10 SINGLE
35	MC365A.V2-35	VICE ASSY
36	MC365A.V2-36	RUBBER
37	MSC615.S	CSK PHILLIPS MACHINE SCREW M6x15 (SINGLE)
38	SN10.S	STEEL NUT M10 ZINC DIN934(SINGLE)
39	MC365A.V2-39	BAFFLE PLATE
40	MC365A.40	U-BOLT (SO)
41	SN8.S	STEEL NUT M8 ZINC DIN934 (SINGLE)
42	MC365A.42	LOCKING BAR
43	MC365A.43	SEAL RING (SO)
44	FWM16.S	FLAT WASHER M16 SINGLE
45	MC365A.45	ADJUSTING SCREW ASSY
--	MC365A.RK	REPAIR KIT (NOT SHOWN)
--	SA902	Z-SWIVEL AIR HOSE CONNECTOR 1/4"BSP (NOT SHOWN)

NOTE: It is our policy to continually improve products and as such we reserve the right to alter data, specifications and component parts without prior notice.

IMPORTANT: No liability is accepted for incorrect use of product.

WARRANTY: Guarantee is 12 months from purchase date, proof of which will be required for any claim.

Sealey Group, Kempson Way, Suffolk Business Park, Bury St Edmunds, Suffolk. IP32 7AR



01284 757500



01284 703534



sales@sealey.co.uk



www.sealey.co.uk