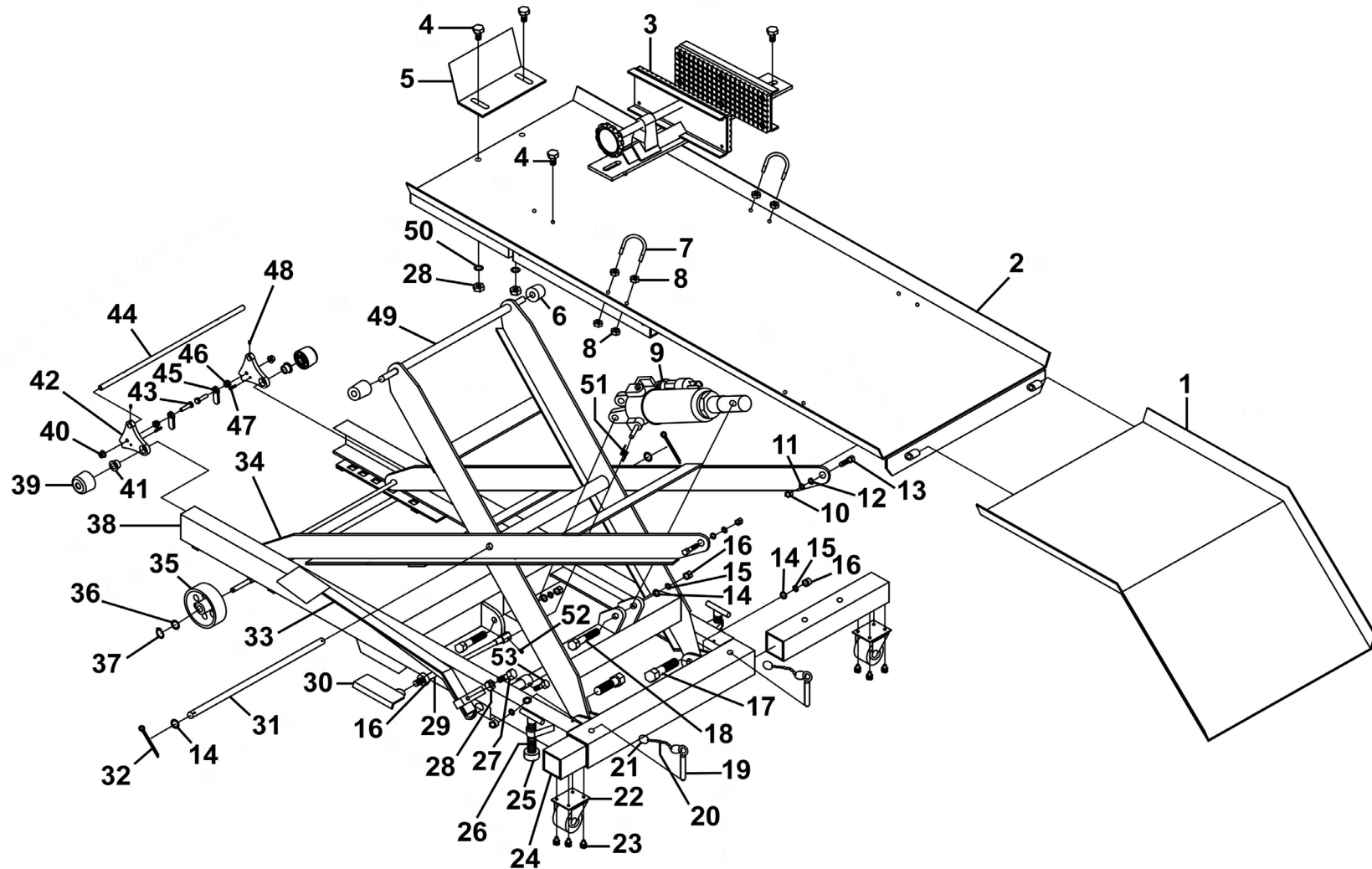




Parts Information:  
Hydraulic Motorcycle Lift 363kg Capacity  
Model No: MC365.V3



**NOTE:** It is our policy to continually improve products and as such we reserve the right to alter data, specifications and component parts without prior notice.

There may be alternative versions of this product, please contact us should you require this information.

**IMPORTANT:** No liability is accepted for incorrect use of product. Spare parts must be fitted by a competent person

**WARRANTY:** Guarantee is 12 months from purchase date, proof of which will be required for any claim.

Sealey Group, Kempson Way, Suffolk Business Park, Bury St Edmunds, Suffolk. IP32 7AR



01284 757500



sales@sealey.co.uk



www.sealey.co.uk



TM

Parts Information:  
**Hydraulic Motorcycle Lift 363kg Capacity**  
**Model No: MC365.V3**

Item	Part No.	Description	Qty
1	MC365-V3-01	Leading Plate	1
2	MC365-V3-02	Platform	1
3	MC365-V3-03	Vice Assembly	1
4	SS1025.S	Hex Head Set Screw M10 X 25 Zinc	4
5	MC365-V3-05	Stop Plate	1
6	MC365-V3-06	Roller Wheel (A)	2
7	MC365-V3-07	U-Bolt	2
8	SN8.S	Steel Nut M8 Zinc	8
9	MC365-V3-09	Hydraulic Pump Assembly	1
10	SN12.S	Steel Nut M12 Zinc	2
11	SWM12.S	Spring Washer M12 Zinc	2
12	FWM12.S	Flat Washer M12 Zinc	2
13	SS1245.S	Hex Head Set Screw M12 X 45 Zinc	2
14	FWM16.S	Flat Washer M16 Zinc	6
15	SWM16.S	Spring Washer M16 Zinc	4
16	SN16.S	Steel Nut M16 Zinc	5
17	MC365-V3-17	Hex Head Bolt M16x45	2
18	HHB1690.S	Hex Head Bolt M16 x 90mm	2
19	MC365-V3-19	Leg Pin	2
20	MC365-V3-20	Chain for Leg Pin	2
21	MC365-V3-21	Securing Ring for Leg Pin	4
22	MC365-V3-22	Wheel,Swivel Castor, 4-Bolt Fixing	2
23	SS610.S	Hex Head Set Screw M6 X 10 Zinc	8
24	MC365-V3-24	Extension Leg	2
25	MC365-V3-25	Adjusting Screw Nut	2
26	MC365-V3-26	Adjusting Screw Rod	2
27	SS1040.S	Hex Head Set Screw M10 X 40 Zinc	1

Item	Part No.	Description	Qty
28	SN10.S	Steel Nut M10 Zinc	5
29	MC365-V3-29	Link Rod for Release Spindle	1
30	MC365-V3-30	Foot Pedal for Release Spindle	1
31	MC365-V3-31	Lifting Arm Pin	1
32	MC365-V3-32	Split Pin Ø4x35	2
33	MC365-V3-33	Foot Pedal for Pump	1
34	MC365-V3-34	Lifting Arm (Outer)	1
35	MC365-V3-35	Front Wheel, Fixed	2
36	FWM12.S	Flat Washer M12 Zinc	2
37	MC365-V3-37	External Circlip Ø12	2
38	MC365-V3-38	Base	1
39	MC365-V3-39	Roller Wheel (B)	2
40	SN8.S	Steel Nut M8 Zinc	2
41	MC365-V3-41	Sleeve for Safety Seat	2
42	MC365-V3-42	Safety Seat	2
43	SS830.S	Hex Head Set Screw M8 X 30 Zinc	2
44	MC365-V3-44	Link Rod	1
45	MC365-V3-45	Support Plate	2
46	MC365-V3-46	Sleeve for Support Plate	2
47	MC365-V3-47	Pin Ø5x25	2
48	GSM58.S	Grub Screw M5x8 (single)	2
49	MC365-V3-49	Lifting Arm (Inner)	1
50	FWM10.S	Flat Washer M10 Zinc	5
51	MC365-V3-51	Spring	1
52	GSM510.S	Grub Screw M5x10 (single)	1
53	SS812.S	Hex Head Set Screw M8 X 12 Zinc	1
--	MC365-V3-RK	Repair Kit (Not Shown)	1

**NOTE:** It is our policy to continually improve products and as such we reserve the right to alter data, specifications and component parts without prior notice. There may be alternative versions of this product, please contact us should you require this information.

**IMPORTANT:** No liability is accepted for incorrect use of product. Spare parts must be fitted by a competent person

**WARRANTY:** Guarantee is 12 months from purchase date, proof of which will be required for any claim.

Sealey Group, Kempson Way, Suffolk Business Park, Bury St Edmunds, Suffolk. IP32 7AR



01284 757500



sales@sealey.co.uk



www.sealey.co.uk