

Item	Part No.	Description
9	N30HC-C25	HYDRAULIC UNIT ASS'Y
10	NP15-2B-C53M	BASE ASS'Y
11	NP15-2B-C11	RELEASE ASS'Y
13	N10-3-C8	PUMP PISTON (c/w SPRING)
14	NP15-2B-C27	CYLINDER ASS'Y
15	N20-3/1213	WHEEL, FIXED (157x20x38)
16	N30HC-C28M	FRAME ASS'Y

Item	Part No.	Description
17	N30HC-C52	COVER
18	N15-2C-C21	HANDLE ASS'Y COMPLETE
19	A-5212	EXTENSION
20	N10-3-C96	HOSE CONNECTOR
21	N30HC-C39	PNEUMATIC VALVE ASS'Y
22	NP15-2B-C71	BLOCK CONNECTOR ASS'Y
--	RN30HC	REPAIR KIT (NOT SHOWN)

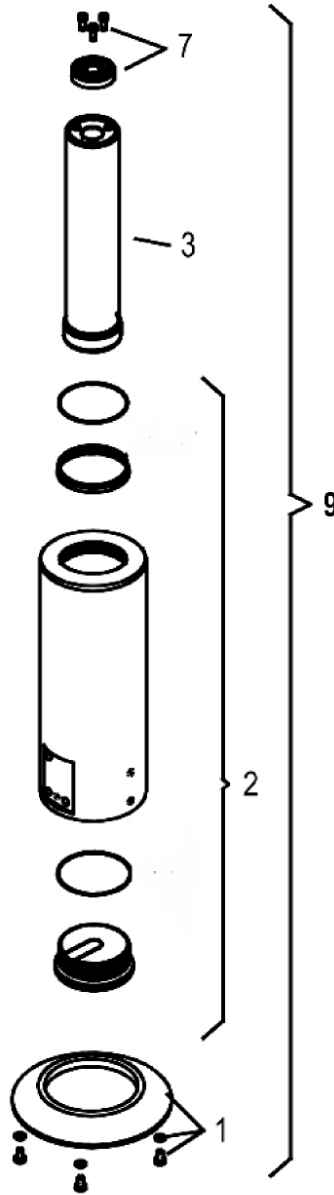
NOTE: It is our policy to continually improve products and as such we reserve the right to alter data, specifications and component parts without prior notice.

IMPORTANT: No liability is accepted for incorrect use of product.

WARRANTY: Guarantee is 12 months from purchase date, proof of which will be required for any claim.



Parts Information:
Air/Hydraulic Jack 30tonne High Lift
Model No: MAJ30H.V2



Item	Part No.	Description
1	N35C-C54	HYDRAULIC BASE (c/w SCREW)
2	N30HC-1104M	HYDRAULIC BASE ASS'Y

Item	Part No.	Description
3	N30H/1105	PISTON
7	N30-C17	BEARING (c/w SCREWS)

NOTE: It is our policy to continually improve products and as such we reserve the right to alter data, specifications and component parts without prior notice.

IMPORTANT: No liability is accepted for incorrect use of product.

WARRANTY: Guarantee is 12 months from purchase date, proof of which will be required for any claim.

Sealey Group, Kempson Way, Suffolk Business Park, Bury St Edmunds, Suffolk. IP32 7AR



01284 757500



01284 703534



sales@sealey.co.uk



www.sealey.co.uk