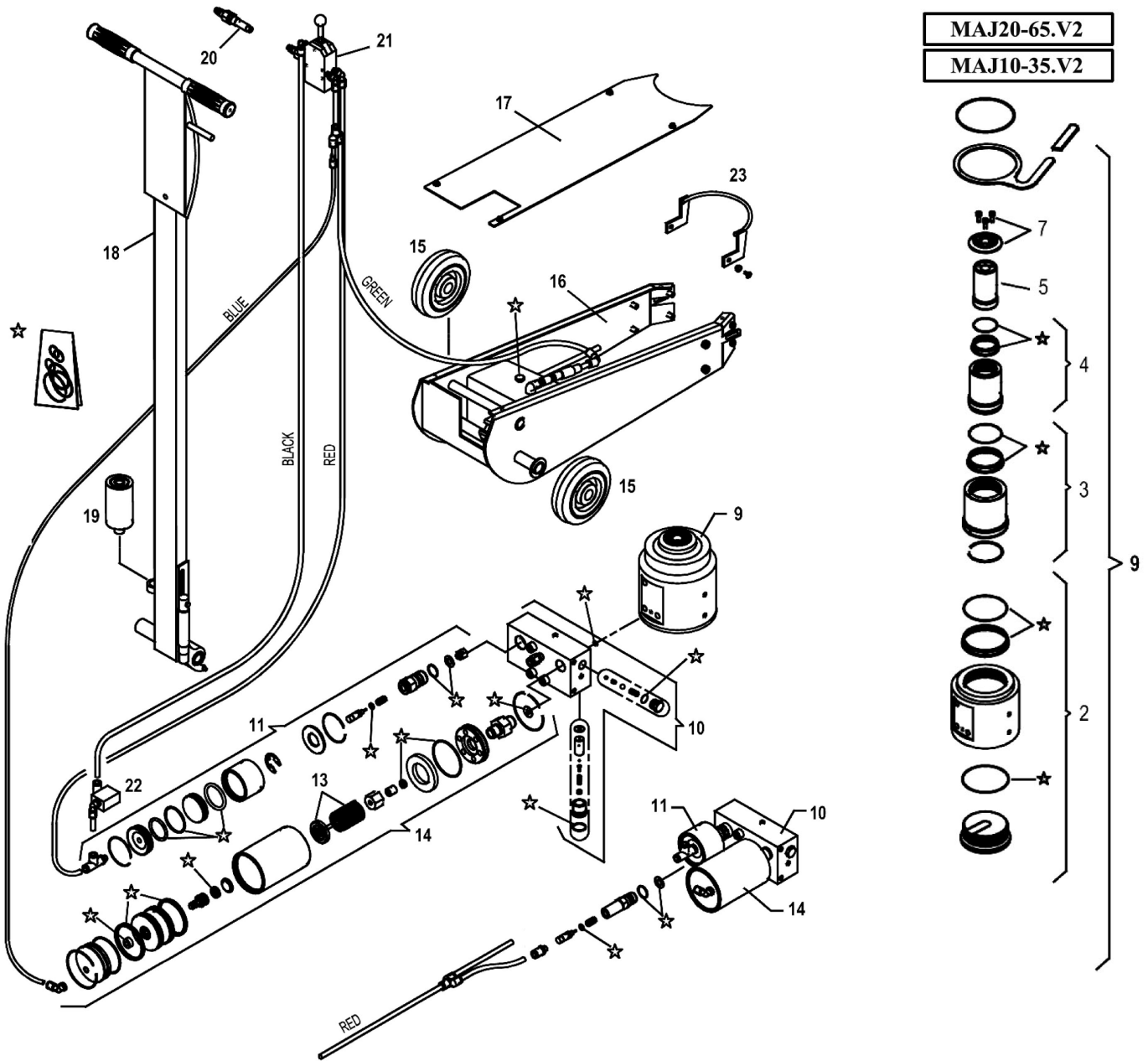


Parts Information:  
**Air/Hydraulic Jack 35tonne Telescopic Low Entry**  
**Model No: MAJ10-35.V2**



| Item | Part No.     | Description              |
|------|--------------|--------------------------|
| 2    | N10-3L-1104M | HYDRAULIC BASE ASS'Y     |
| 3    | N10-3-1105M  | PISTON ASS'Y (LOWER)     |
| 4    | N10-3-1145M  | PISTON ASS'Y (UPPER)     |
| 5    | N10-3/1146   | PISTON                   |
| 7    | N10-3-C17    | BEARING (c/w SCREWS)     |
| 9    | N10-3L-C25   | HYDRAULIC UNIT ASS'Y     |
| 10   | NP15-2B-C53M | BASE ASS'Y               |
| 11   | NP15-2B-C11  | RELEASE ASS'Y            |
| 13   | N10-3-C8     | PUMP PISTON (c/w SPRING) |
| 14   | NP15-2B-C27  | CYLINDER ASS'Y           |

| Item | Part No.    | Description           |
|------|-------------|-----------------------|
| 15   | N10-3-1213  | WHEEL                 |
| 16   | N10-3L-C28M | FRAME ASS'Y           |
| 17   | N10-3L-C52  | COVER                 |
| 18   | N10-3L-C21  | HANDLE ASS'Y          |
| 19   | A-5211      | EXTENSION             |
| 20   | N10-3-C96   | HOSE CONNECTOR        |
| 21   | N10-3L-C39  | PNEUMATIC VALVE ASS'Y |
| 22   | NP15-2B-C71 | BLOCK CONNECTOR ASS'Y |
| 23   | N15-2C-C16  | HOLDER ASS'Y          |
| *    | RN10-3L     | REPAIR KIT            |

**NOTE:** It is our policy to continually improve products and as such we reserve the right to alter data, specifications and component parts without prior notice.

**IMPORTANT:** No liability is accepted for incorrect use of product.

**WARRANTY:** Guarantee is 12 months from purchase date, proof of which will be required for any claim.