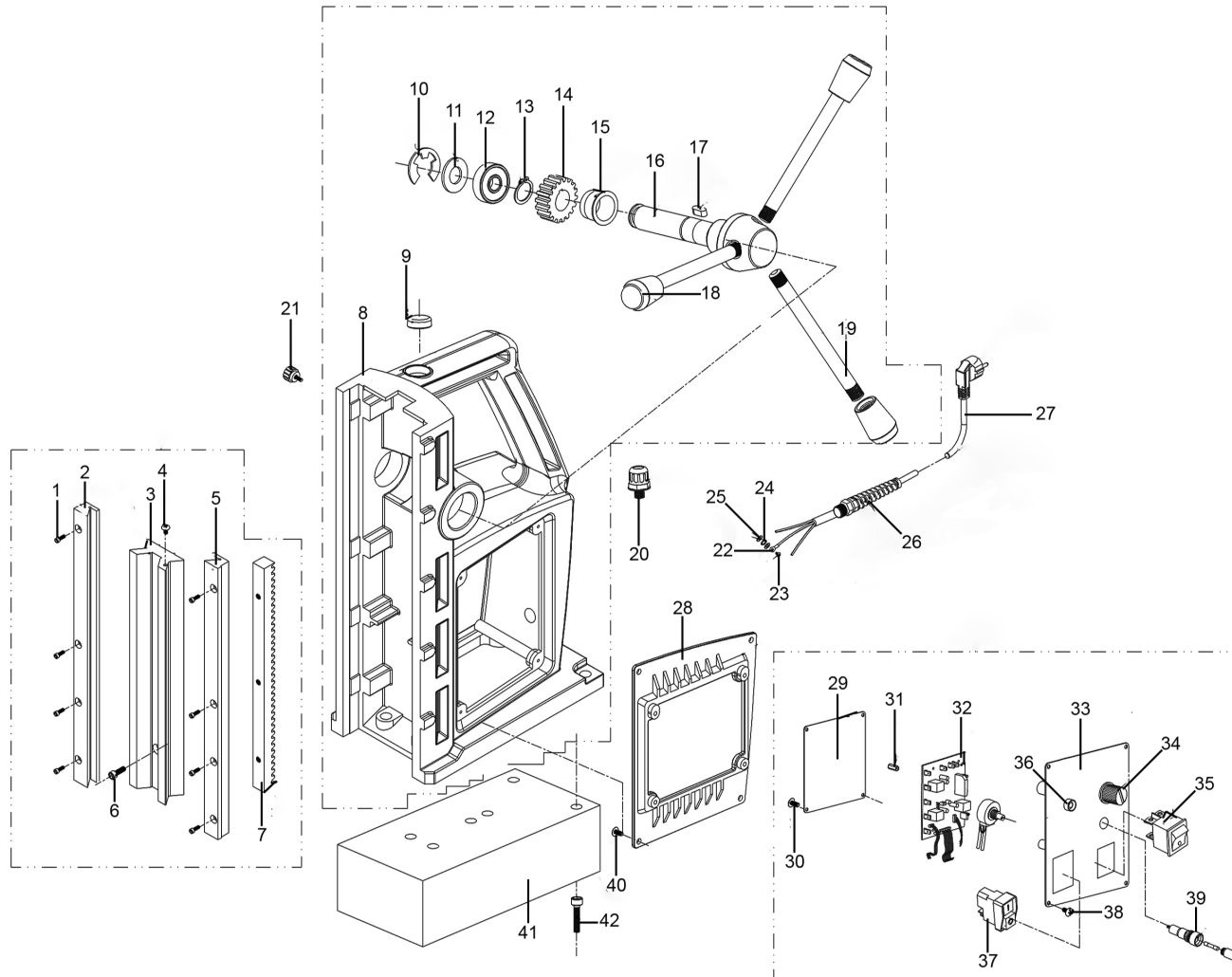




Parts Information:
Magnetic Drilling Machine Heavy-Duty 60mm 110V
Model No: MAG60110VHD



NOTE: It is our policy to continually improve products and as such we reserve the right to alter data, specifications and component parts without prior notice.

There may be alternative versions of this product, please contact us should you require this information.

IMPORTANT: No liability is accepted for incorrect use of product. Spare parts must be fitted by a competent person

WARRANTY: Guarantee is 12 months from purchase date, proof of which will be required for any claim.

Sealey Group, Kempson Way, Suffolk Business Park, Bury St Edmunds, Suffolk. IP32 7AR



01284 757500



01284 703534



sales@sealey.co.uk



www.sealey.co.uk



Parts Information:
**Magnetic Drilling Machine Heavy-Duty
60mm 110V
Model No: MAG60110VHD**

Item	Part No.	Description
1	SCB615.SB	Socket Cap Bolt M6 X 15mm Black
2	MAG60230VHD.B02	Left Rail Track Bar
3	MAG60230VHD.B03	Lifting Board
4	MAG60230VHD.B04	Screw
5	MAG60230VHD.B05	Right Rail Track Bar
6	MAG60230VHD.B06	Screw
7	MAG60230VHD.B07	Rack
8	MAG60230VHD.B08	Frame
9	MAG60230VHD.B09	Level Bubble
10	MAG60230VHD.B10	Back-up Ring
11	MAG60230VHD.B11	Gasket
12	MAG60230VHD.B12	Bearing '6903'
13	MAG60230VHD.B13	E-Ring
14	MAG60230VHD.B14	Gear
15	MAG60230VHD.B15	Hose Coupler
16	MAG60230VHD.B16	Lefting Gear Shaft
17	MAG60230VHD.B17	Woodruff Key
18	MAG60230VHD.B18	Handle Bar Knob
19	MAG60230VHD.B19	Handle Bar
20	MAG60230VHD.B20	Locking Shaft Bolt

Item	Part No.	Description
21	MAG60230VHD.B21	Lock Screw
22	MAG60230VHD.B22	Terminal Ring
23	MAG60230VHD.B23	Screw
24	MAG60230VHD.B24	Washer
25	MAG60230VHD.B25	Washer
26	MAG60230VHD.B26	Cable Sleeve
27	MAG60110VHD.B27	Power Cord
28	MAG60230VHD.B28	Panel Frame
29	MAG60230VHD.B29	Back Panel
30	MAG60230VHD.B30	Screw
31	MAG60230VHD.B31	Screw
32	MAG60110VHD.B32	Circuit Board
33	MAG60230VHD.B33	Panel
34	MAG60110VHD.B34	Speed Control
35	MAG60110VHD.B35	Magnetic Switch
36	MAG60110VHD.B36	Tap Switch
37	MAG60110VHD.B37	Motor Switch
38	MAG60230VHD.B38	Screw
39	MAG60110VHD.B39	Fuse
40	MAG60230VHD.B40	Screw
41	MAG60230VHD.B41	Magnetic Base
42	SCB620.SB	Socket Cap Bolt M6 x 20mm Black

NOTE: It is our policy to continually improve products and as such we reserve the right to alter data, specifications and component parts without prior notice. There may be alternative versions of this product, please contact us should you require this information.

IMPORTANT: No liability is accepted for incorrect use of product. Spare parts must be fitted by a competent person

WARRANTY: Guarantee is 12 months from purchase date, proof of which will be required for any claim.

Sealey Group, Kempson Way, Suffolk Business Park, Bury St Edmunds, Suffolk. IP32 7AR



01284 757500



01284 703534

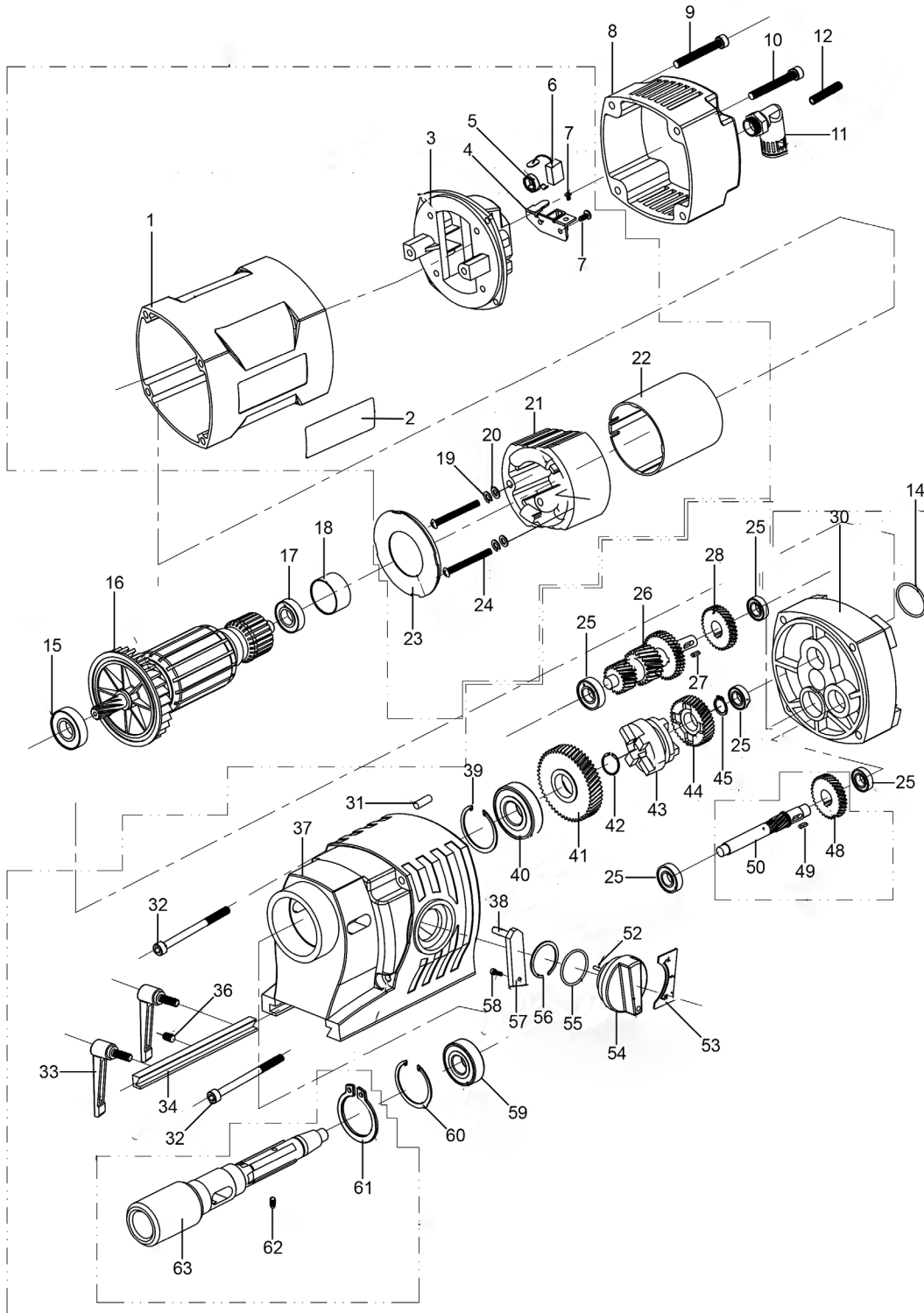


sales@sealey.co.uk



www.sealey.co.uk

Parts Information:
Magnetic Drilling Machine Heavy-Duty
60mm 110V
Model No: MAG60110VHD



NOTE: It is our policy to continually improve products and as such we reserve the right to alter data, specifications and component parts without prior notice. There may be alternative versions of this product, please contact us should you require this information.

IMPORTANT: No liability is accepted for incorrect use of product. Spare parts must be fitted by a competent person

WARRANTY: Guarantee is 12 months from purchase date, proof of which will be required for any claim.



Parts Information:
**Magnetic Drilling Machine Heavy-Duty
60mm 110V
Model No: MAG60110VHD**

Item	Part No.	Description
1	MAG60230VHD.M01	Stator Housing
2	MAG60110VHD.M02	Name Plate
3	MAG60230VHD.M03	Carbon Brush Holder
4	MAG60230VHD.M04	Carbon Brush Bracket
5	MAG60230VHD.M05	Clamp Ring
6	MAG60230VHD.M06	Carbon Brush
7	MSC412.S	Csk Phillips Machine Screw M4 X 12
8	MAG60230VHD.M08	Cover
9	SCB540.SB	Socket Cap Screw M5 x 40mm Black
10	SCB545.SB	Socket Cap Bolt M5 x 45mm Black
11	MAG60230VHD.M11	Hose Coupler
12	MAG60230VHD.M12	Hose
14	MAG60230VHD.M14	O-Ring
15	B/6001ZZ	Bearing 6001zz
16	MAG60110VHD.M16	Armature
17	B/608-2RS	Bearing 608-2RS
18	MAG60230VHD.M18	Bearing Cover
19	SWM4.S	Spring Washer M4
20	FWM4.S	Flat Washer M4
21	MAG60110VHD.M21	Stator
22	MAG60230VHD.M22	Stator Cover
23	MAG60230VHD.M23	Flat Gasket
24	MAG230V.M29	Screw Pan Head M4x65mm
25	B/608ZZ	Bearing 608ZZ
26	MAG60230VHD.M26	Armature Gear Shift
27	MAG60230VHD.M27	Pin
28	MAG60230VHD.M28	Armature Gear Plate
30	MAG60230VHD.M30	Intermediate Board
31	MAG60230VHD.M31	Pin 4 x 12

Item	Part No.	Description
32	SCB650.SB	Socket Cap Bolt M6 x 50mm Black
33	MAG60230VHD.M33	Lock Handle
34	MAG60230VHD.M34	Left Rail Track Rail
36	MAG60230VHD.M36	Grub Screw
37	MAG60230VHD.M37	Gearbox
38	MAG60230VHD.M38	Shift Rod
39	MAG60230VHD.M39	Spring Clip
40	B/6003ZZ	Bearing 6003zz
41	MAG60230VHD.M41	Shift Gear
42	MAG60230VHD.M42	Clamp Ring
43	MAG60230VHD.M43	Gear Support
44	MAG60230VHD.M44	Gear
45	MAG60230VHD.M45	Clamp Ring
48	MAG60230VHD.M48	Gear Plate
49	MAG60230VHD.M49	Woodruff Key
50	MAG60230VHD.M50	Shift Shaft Gear
52	MAG60230VHD.M52	Rivet Spring Cover
53	MAG60230VHD.M53	Sticker
54	MAG60230VHD.M54	Shift Knob
55	MAG60230VHD.M55	O-Ring
56	MAG60230VHD.M56	Clamp Ring
57	MAG60230VHD.M57	Gear Plate
58	MAG60230VHD.M58	Screw
59	MAG60230VHD.M59	Bearing '6905'
60	MAG60230VHD.M60	Internal Circlip
61	MAG60230VHD.M61	External Circlip
62	MAG60230VHD.M62	Pin
63	MAG60230VHD.M63	Spindle

NOTE: It is our policy to continually improve products and as such we reserve the right to alter data, specifications and component parts without prior notice. There may be alternative versions of this product, please contact us should you require this information.

IMPORTANT: No liability is accepted for incorrect use of product. Spare parts must be fitted by a competent person

WARRANTY: Guarantee is 12 months from purchase date, proof of which will be required for any claim.

Sealey Group, Kempson Way, Suffolk Business Park, Bury St Edmunds, Suffolk. IP32 7AR



01284 757500



01284 703534



sales@sealey.co.uk



www.sealey.co.uk