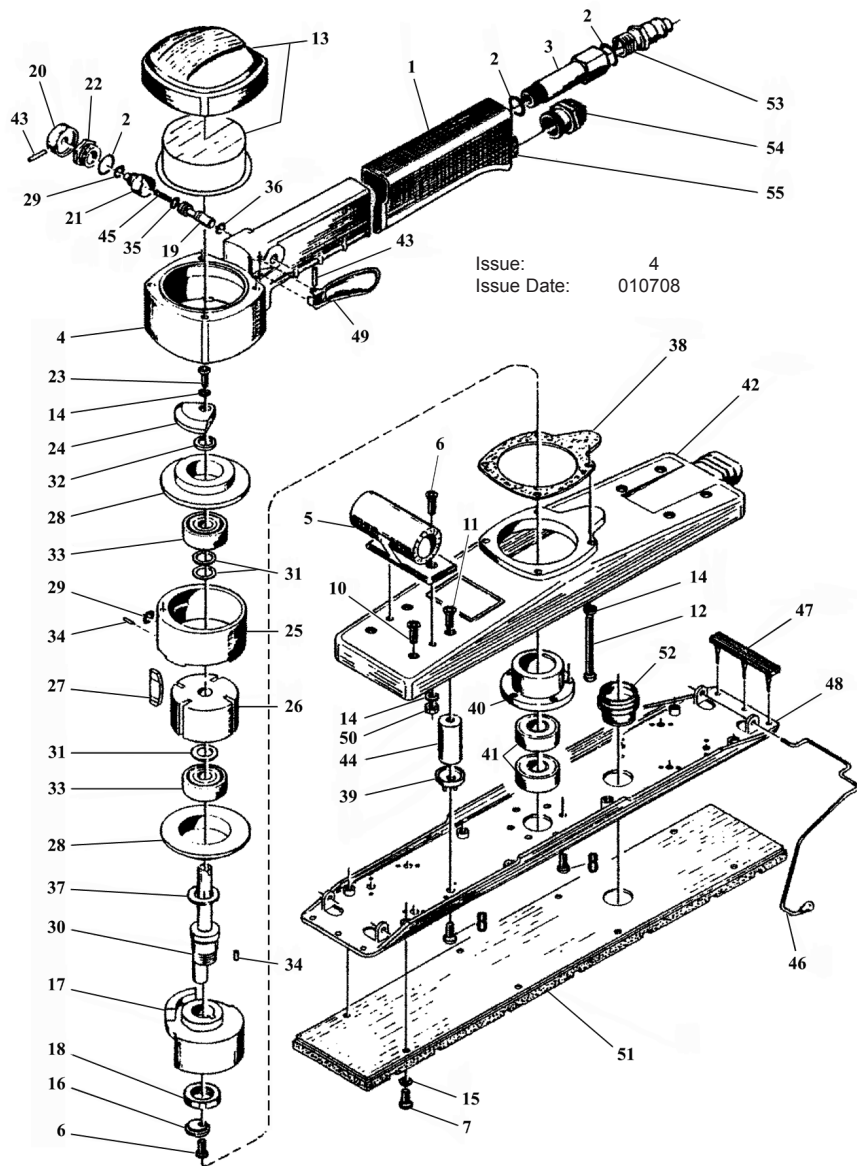


PARTS FOR: AIR OPERATED ORBITAL SANDER DUST / OIL FREE MODEL: MA407AS



Item	Part No	Description	Item	Part No	Description
1	122/10.01.09	Rubber Handle	35	122/17.01.15	O-Ring
2	122/17.01.50	O-Ring	36	122/17.01.30	O-Ring
3	122/97.41.75	Air Inlet	37	122/19.49.50	Dust Stop
4	122/10.01.11	Body	38	122/17.30.20	Motor Gasket
5	122/10.03.16	Handle	39	122/19.50.25	Rubber Vibrating Disc
6	122/11.01.01	Screw	40	122/20.01.15	Ball Holder
7	122/11.06.03	Screw 4 X 10	41	B/6201-2RS	Bearing, 6201-2RS
8	122/11.03.04	Screw	42	122/22.01.50	Upper Protection
10	122/11.03.06	Screw,Silentblock	43	122/23.01.20	Elastic Pin
11	122/11.03.15	Silentblock Screw	44	122/24.03.09	Rubber Silent Block
12	122/11.04.20	Screw	45	122/25.01.05	Valve Spring
13	122/12.01.13	Cover	46	122/25.02.16	Paper Lock
14	122/13.01.01	Washer	47	122/26.02.16	Lock Rubber
15	122/13.02.01	Flat Washer	48	122/26.02.50	Backing Plate
16	122/13.10.10	Motor Washer	49	122/27.01.21	Lever
17	122/14.04.02	Lower Counterweight	50	122/29.01.10	Nut
18	122/14.06.11	Ring, Counterbalance	51	122/30.02.10	Rubber Plate
19	122/15.01.20	Valve Pin	52	122/68.02.50	Extraction Connector
20	122/15.01.24	Air Regulator Handle	53	122/97.10.31	1/4M Air Quick Coupling "GB"
21	122/15.01.25	Air Regulator	54	122/72.01.01	Exhaust Outlet
22	122/15.01.26	Air Regulator Ring	55	122/10.03.62	Rubber Handler Aluminium Ext.
23	122/11.07.01	Screw	--	122.25.02.55	Clip for Hose (not shown)
24	122/14.02.09	Motor,Upper Counterbalance	--	122/19.99.22	Velcro Strip (not shown)
25	122/16.02.11	Cylinder	--	122/16.03.10	Motor Complete
26	122/16.02.12	Rotor	--	122/26.02.51	Backing Plate with Locks (14, 23 to 34, 37)
27	122/16.02.13	Vanes	--	122/10.01.07	Rubber Handle Complete (1, 2, 3, 55)
28	122/16.02.14	Flange			
29	122/17.01.20	Motor, O-Ring			
30	122/18.02.10	Motor Shaft			
31	122/19.50.01	Motor Thickners			
32	122/19.50.50	Distancer			
33	B/6200ZZ	Bearing			
34	122/23.01.01	Pin			

NOTE: It is our policy to continually improve products and as such we reserve the right to alter data, specifications and component parts without prior notice.

IMPORTANT: No liability is accepted for incorrect use of product.

WARRANTY: Guarantee is 12 months from purchase date, proof of which will be required for any claim.

INFORMATION: For a copy of our latest catalogue and promotions call us on 01284 757525 and leave your full name and address, including postcode.