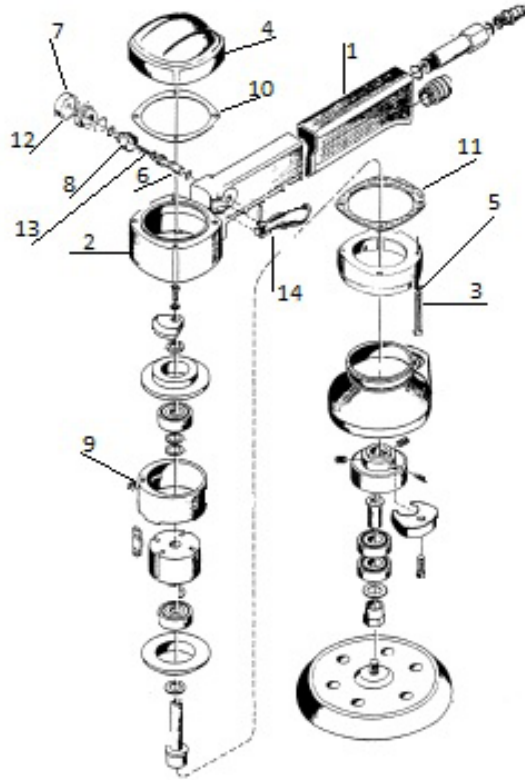




Parts Information:
**Air Op Random/Orbital Sander Self
 Contained Dust/Oil Free
 Model No: MA150SC**



Item	Part No.	Description
1	122/10.01.07	Complete rubber handle
2	122/10.02.11	Body
3	MSP450.S	Machine screw pan head phillips m4x50mm (single)
4	122/12.01.13	Cover
5	122/13.01.01	M4 ext tooth washer black
6	122/15.01.20	Valve pin
7	122/15.01.24	Air regulator handle
8	122/15.01.25	Air regulator
--	122/15.01.26	Air regulator (NOT SHOWN)
9	122/17.01.20	Motor, o-ring
10	122/17.30.10	Cover gasket
11	122/17.30.30	Motor gasket
--	122/22.05.09	Bottom cover (NOT SHOWN)
12	122/23.01.20	Elastic pin
--	122/23.01.15	Pin (NOT SHOWN)
13	122/25.01.05	Valve spring

Item	Part No.	Description
14	122/27.01.21	Lever
--	122/62.01.10	Rubber cover (NOT SHOWN)
--	AK289	Univ Dust-Free Stick-On DA Backing Pad 150mm x 5/16"UNF & M8(NOT SHOWN)
--	AK290	Universal Dust-Free Hook/Loop DA Backing Pad 150mmx 5/16"UNF(NOT SHOWN)
--	122/60.01.11	Bag, dust (NOT SHOWN)
--	122/16.09.10	Complete motor (NOT SHOWN)
--	122/32.02.12	Complete excentric group (NOT SHOWN)
--	122/24.50.10	Rubber cover clip (NOT SHOWN)
--	122/68.01.10	Rubber bellows(NOT SHOWN)
--	122/99.50.22	Connection dust hose (NOT SHOWN)
--	122/66.01.11	Clips for hose(NOT SHOWN)
--	122/50.09.70	Spanner for excentric group (NOT SHOWN)
--	122/58.01.40	Paper perforator(NOT SHOWN)
--	122/31.01.30	Ring thread 17 (NOT SHOWN)
--	122/66.02.11	Hose, vacuum (NOT SHOWN)

NOTE: It is our policy to continually improve products and as such we reserve the right to alter data, specifications and component parts without prior notice.

IMPORTANT: No liability is accepted for incorrect use of product.

WARRANTY: Guarantee is 12 months from purchase date, proof of which will be required for any claim.

Sealey Group, Kempson Way, Suffolk Business Park, Bury St Edmunds, Suffolk. IP32 7AR



01284 757500



01284 703534



sales@sealey.co.uk



www.sealey.co.uk