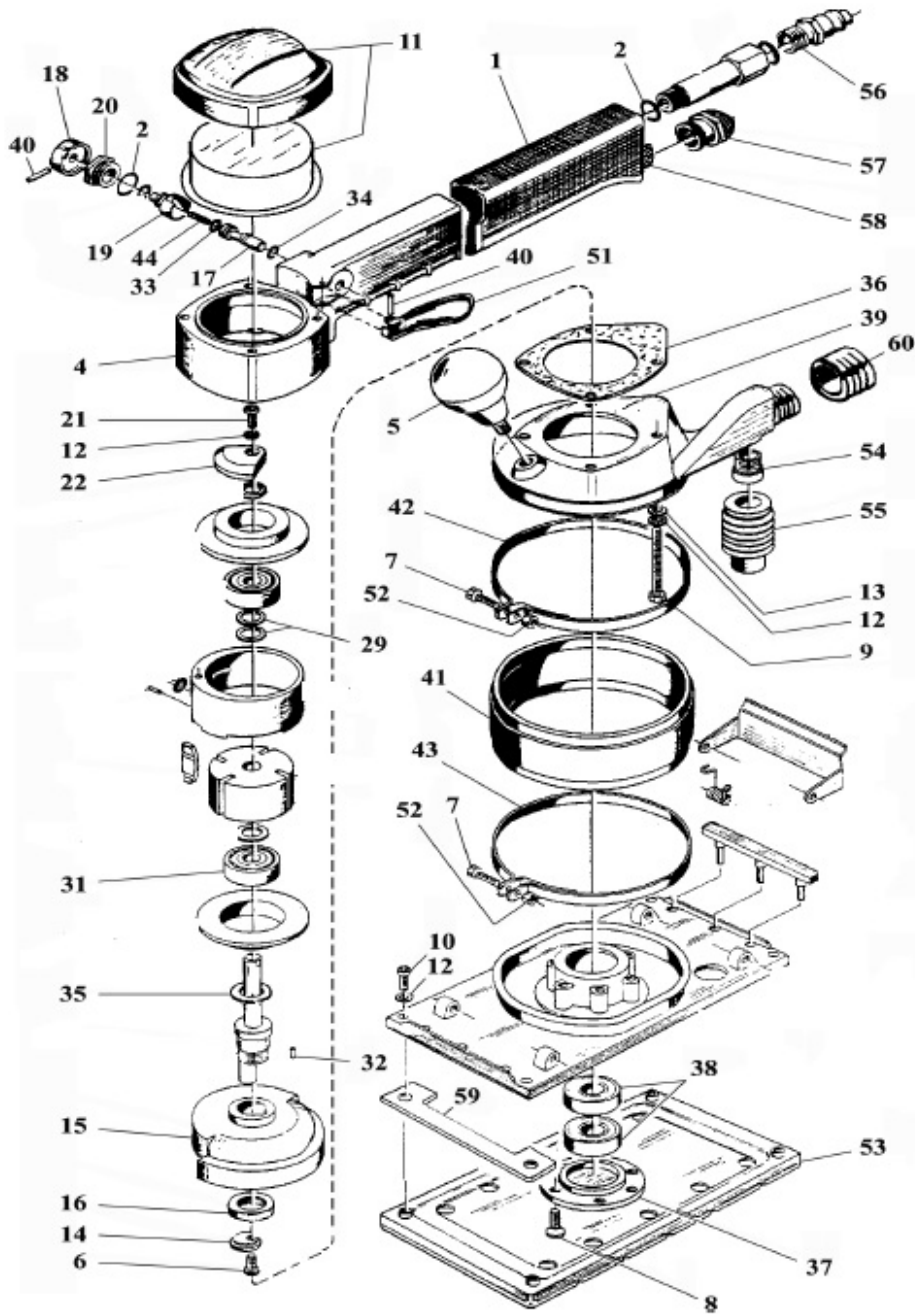




Parts Information:
Air Operated Orbital Sander 210 x 115mm
Dust/Oil Free
Model No: MA110AS



NOTE: It is our policy to continually improve products and as such we reserve the right to alter data, specifications and component parts without prior notice.

IMPORTANT: No liability is accepted for incorrect use of product.

WARRANTY: Guarantee is 12 months from purchase date, proof of which will be required for any claim.

Sealey Group, Kempson Way, Suffolk Business Park, Bury St Edmunds, Suffolk. IP32 7AR



01284 757500



01284 703534



sales@sealey.co.uk



www.sealey.co.uk



Parts Information:
Air Operated Orbital Sander 210 x 115mm
Dust/Oil Free
Model No: MA110AS

Item	Part No.	Description
1	122/10.01.07	Complete rubber handle
4	122/10.01.11	Body
5	122/10.03.14	Knob
6	122/11.01.01	Screw
7	122/11.02.01	Screw
8	122/11.03.30	Screw
9	MSP450.S	Machine screw pan head phillips m4x50mm (single)
10	122/11.09.12	Rd head s/t screw m3.8 x 16 black
11	122/12.01.13	Cover
12	122/17.30.10	Cover gasket
13	FWM4.S	Flat washer m4 single
14	122/13.10.10	Motor washer(so)off centre
15	122/14.06.09	Counterbalance
16	122/14.06.11	Ring, counterbalance
17	122/15.01.20	Valve pin
18	122/15.01.24	Air regulator handle
19	122/15.01.25	Air regulator
20	122/15.01.26	Air regulator
21	122/11.07.01	Screw
22	122/17.01.20	Motor, o-ring
33	122/17.01.15	O-ring
34	122/17.01.30	O-ring
35	122/19.49.50	Dust stop
36	122/17.30.20	Motor gasket
37	122/19.50.21	6 holes disc

Item	Part No.	Description
38	B/6201-2RS	Bearing 6201-2rs
39	122/22.03.09	Carrier
40	122/23.01.20	Elastic pin
41	122/24.04.15	Rubber sleeve
42	122/24.50.03	Rubber sleeve clip
43	122/24.50.04	Clip for backing plate
44	122/25.01.05	Valve spring
51	122/27.01.21	Lever
52	122/29.01.01	Nut
53	122/30.01.71	Rubber backing pad
54	122/31.01.30	Ring thread 17
55	122/68.01.10	Rubber bellows
56	122/97.10.31	1/4m air quick coupling
57	122/72.01.01	Exhaust outlet
58	122/10.03.62	Rubber handler aluminium extension
59	122/17.30.35	Gasket
60	122/66.50.16	Rubber dust connection
--	122/26.05.11	Backing plate with locks (NOT SHOWN)
--	122/16.03.10	Complete motor (NOT SHOWN)
--	122/23.01.05	Pin (NOT SHOWN)
--	122/19.99.23	Velcro strip (NOT SHOWN)
--	122/36.01.39	Vac double suction adaptor(NOT SHOWN)
--	122/58.01.20	Paper perforator for em110(NOT SHOWN)
--	DFS/AK3	Vac hose 5mtr x 28mm for dfs31a, dfs91a (NOT SHOWN)

NOTE: It is our policy to continually improve products and as such we reserve the right to alter data, specifications and component parts without prior notice.

IMPORTANT: No liability is accepted for incorrect use of product.

WARRANTY: Guarantee is 12 months from purchase date, proof of which will be required for any claim.

Sealey Group, Kempson Way, Suffolk Business Park, Bury St Edmunds, Suffolk. IP32 7AR



01284 757500



01284 703534



sales@sealey.co.uk



www.sealey.co.uk