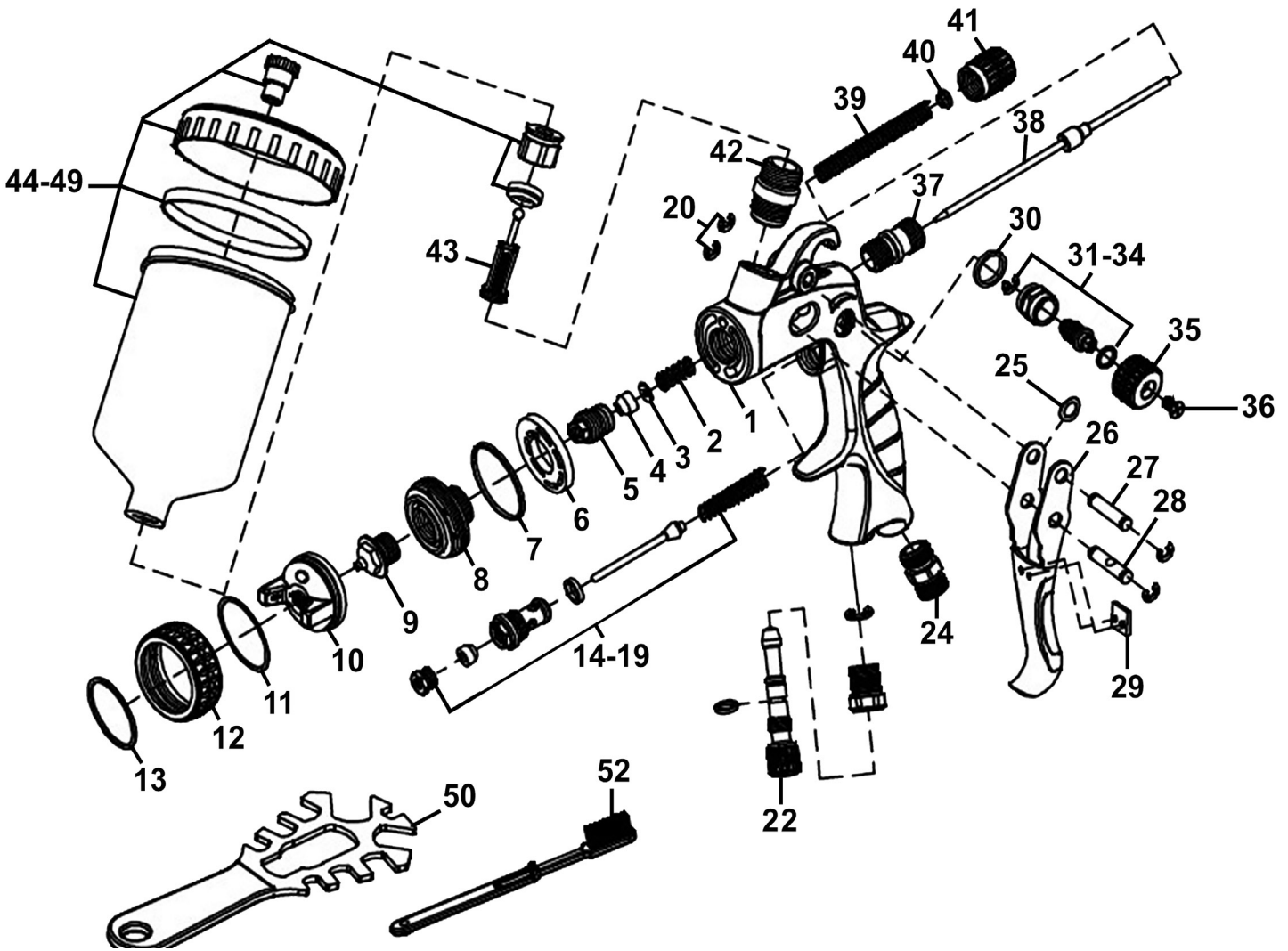


Parts Information:
**Premier Professional LVLP Gravity Feed
 Spray Gun 1.4mm Set-Up
 Model No: LVLP01.V2**



Item	Part No.	Description
1	SP01-V2-01	Gun Body (Black)
2	SP01.02	Needle Packing Spring
3	SP01.03	Needle Packing Washer
4	SP01.04	Needle Packing Gasket
5	SP01.05	Needle Packing Screw
6	SP01.06	Air Baffle
7	SP01.07	Washer for Fluid Nozzle Seat
8	SP01.08	Fluid Nozzle Seat
9	SP01.09	Fluid Nozzle 1.4mm

Item	Part No.	Description
--	SP01.09A	Fluid Nozzle 1.2mm (optional extra)
--	SP01.09B	Fluid Nozzle 1.3mm (optional extra)
--	SP01.09C	Fluid Nozzle 1.7mm (optional extra)
--	SP01.09D	Fluid Nozzle 1.8mm (optional extra)
10	LVL01.10	Air Cap 1.4mm
--	LVL01.10A	Air Cap 1.2mm (optional extra)
--	LVL01.10B	Air Cap 1.3mm (optional extra)
--	LVL01.10C	Air Cap 1.7mm (optional extra)
--	LVL01.10D	Air Cap 1.8mm (optional extra)

NOTE: It is our policy to continually improve products and as such we reserve the right to alter data, specifications and component parts without prior notice. There may be alternative versions of this product, please contact us should you require this information.

IMPORTANT: No liability is accepted for incorrect use of product. Spare parts must be fitted by a competent person

WARRANTY: Guarantee is 12 months from purchase date, proof of which will be required for any claim.



Parts Information:
**Premier Professional LVLP Gravity Feed
Spray Gun 1.4mm Set-Up
Model No: LVLP01.V2**

Item	Part No.	Description
11	SP01.11	Washer for Air Cap
12	LVLP01.12	Locking Ring (Green/White)
13	SP01.13	Retainer
14-19	SP01.14-19	Air Valve Assembly
20	SP01.20	Retainer 5mm
22	LVLP01.22	Knob, Air Adjustment, Knurled Green Aluminium, OD: 13mm L: 65mm, 7x52mm Male Fitting
24	SP01.24	Air Adaptor
25	SP01.25	Washer for Trigger Pin
26	SP01-V2-26	Trigger (Black)
27	SP01.27	Trigger Pin
28	SP01.28	Hinge Pin
29	SP01.29	Washer (Square)
30	SP01.30	Gasket
31-34	SP01.31-34	Spray Pattern Adjustment Assembly
35	LVLP01.35	Knob, Spray Pattern Adjust, Knurled, Green Aluminium, OD: 20mm ID: 16mm, 6mm Hex Female Fitting

Item	Part No.	Description
36	SP01.36	Spray Pattern Adjustment Knob Screw
37	SP01.37	Needle Adjustment Adaptor
38	SP01.38	Fluid Needle 1.4mm
--	SP01.38A	Fluid Needle 1.2mm (optional extra)
--	SP01.38B	Fluid Needle 1.3mm (optional extra)
--	SP01.38C	Fluid Needle 1.7mm (optional extra)
--	SP01.38D	Fluid Needle 1.8mm (optional extra)
39	SP01.39	Needle Adjustment Spring
40	SP01.40	Spring Plug
41	LVLP01.41	Knob, Needle Adjustment, Knurled Green Aluminium, OD: 16mm, M12 Threaded Female Fitting
42	SP01.42	Fluid Pot Adaptor
43	SP01.43	Fluid Pot Filter
44-49	SP01.44-49	Fluid Pot Assembly (inc 44,45,46,47,48,49)
50	SP01.50	Multi-Purpose Spanner
52	SP01.52	Brush (A)

NOTE: It is our policy to continually improve products and as such we reserve the right to alter data, specifications and component parts without prior notice. There may be alternative versions of this product, please contact us should you require this information.

IMPORTANT: No liability is accepted for incorrect use of product. Spare parts must be fitted by a competent person

WARRANTY: Guarantee is 12 months from purchase date, proof of which will be required for any claim.

Sealey Group, Kempson Way, Suffolk Business Park, Bury St Edmunds, Suffolk. IP32 7AR



01284 757500



sales@sealey.co.uk



www.sealey.co.uk