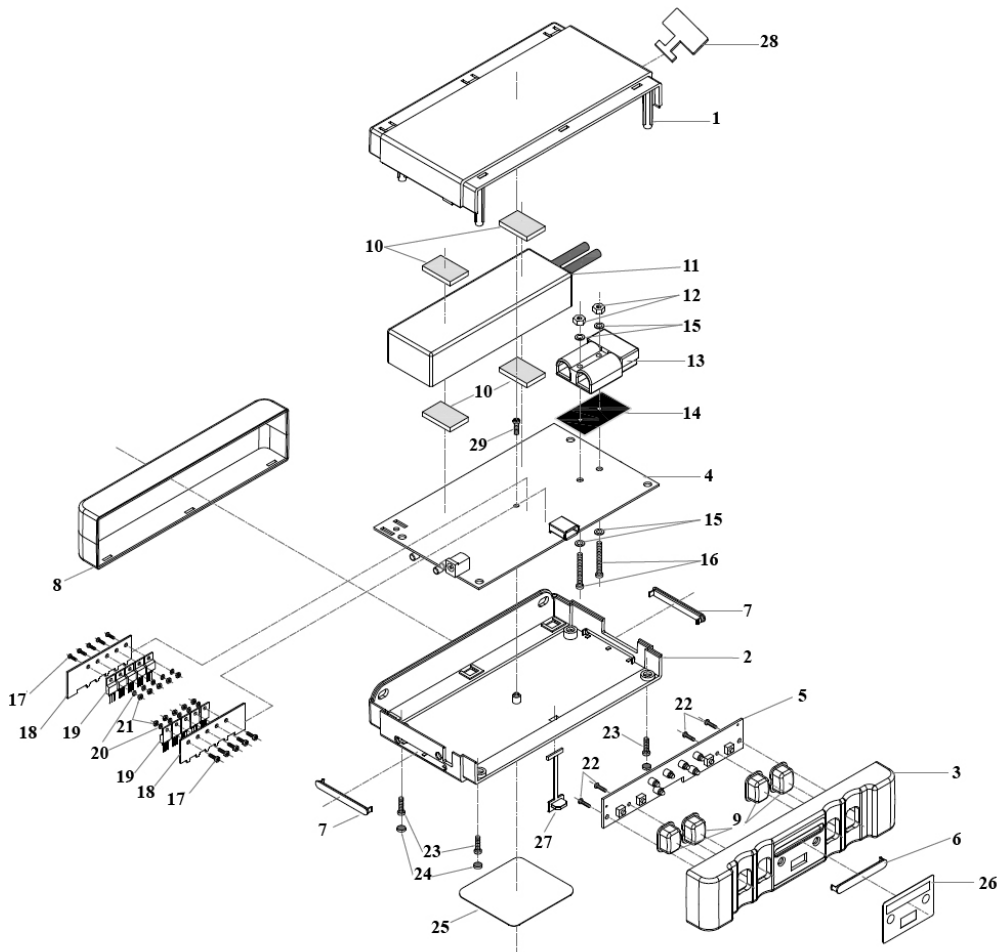




Parts Information:  
**Lithium-ion Jump Starter/Power Pack  
 235A 12V  
 Model No: LSTART235**



Item	Part No.	Description
1	LSTART405.01	TOP COVER
2	LSTART405.02	BOTTOM CASE
3	LSTART405.03	FRONT COVER
4	LSTART405.04	PCB
5	LSTART405.05	PCB
6	LSTART405.06	FRONT LIGHT COVER
7	LSTART405.07	SIDE LIGHT COVER
8	LSTART405.08	REAR COVER
9	LSTART405.09	BUTTON
10	LSTART405.10	EVA PAD
11	LSTART235.11	BATTERY PACK
12	LSTART405.12	NUT
13	LSTART405.13	50A CONNECTOR
14	LSTART405.14	RED FIBRE SHEET
15	LSTART405.15	WASHER
16	MSP3520.S	MACHINE SCREW PAN HEAD PHILLIPS M3.5x20m

Item	Part No.	Description
17	MSP36.S	MACHINE SCREW PAN HEAD PHILLIPS M3x6mm
18	LSTART405.18	HEAT SINK
19	LSTART405.19	MOSFET
20	FWM4.S	FLAT WASHER M4 SINGLE
21	LSTART405.21	SCREW M3
22	LSTART810.22	RD HEAD S/T SCREW M3X8 BLACK
23	SMI309.24	GASKET
24	LSTART405.24	EVA PAD
25	LSTART405.25	RATING LABEL
26	LSTART405.26	FRONT LABEL
27	LSTART405.27	USB COVER
28	LSTART405.28	DUST COVER
29	LSTART405.29	RD HEAD S/T SCREW M2.6 X 8 BLACK
--	LSTART.C	DC CHARGER (NOT SHOWN)
--	LSTART.CC	AC CHARGER 12V 1A (NOT SHOWN)
--	LSTART405.32	BOOSTER CABLE (NOT SHOWN)

**NOTE:** It is our policy to continually improve products and as such we reserve the right to alter data, specifications and component parts without prior notice.

**IMPORTANT:** No liability is accepted for incorrect use of product.

**WARRANTY:** Guarantee is 12 months from purchase date, proof of which will be required for any claim.

**Sealey Group**, Kempson Way, Suffolk Business Park, Bury St Edmunds, Suffolk. IP32 7AR



01284 757500



01284 703534



sales@sealey.co.uk



www.sealey.co.uk