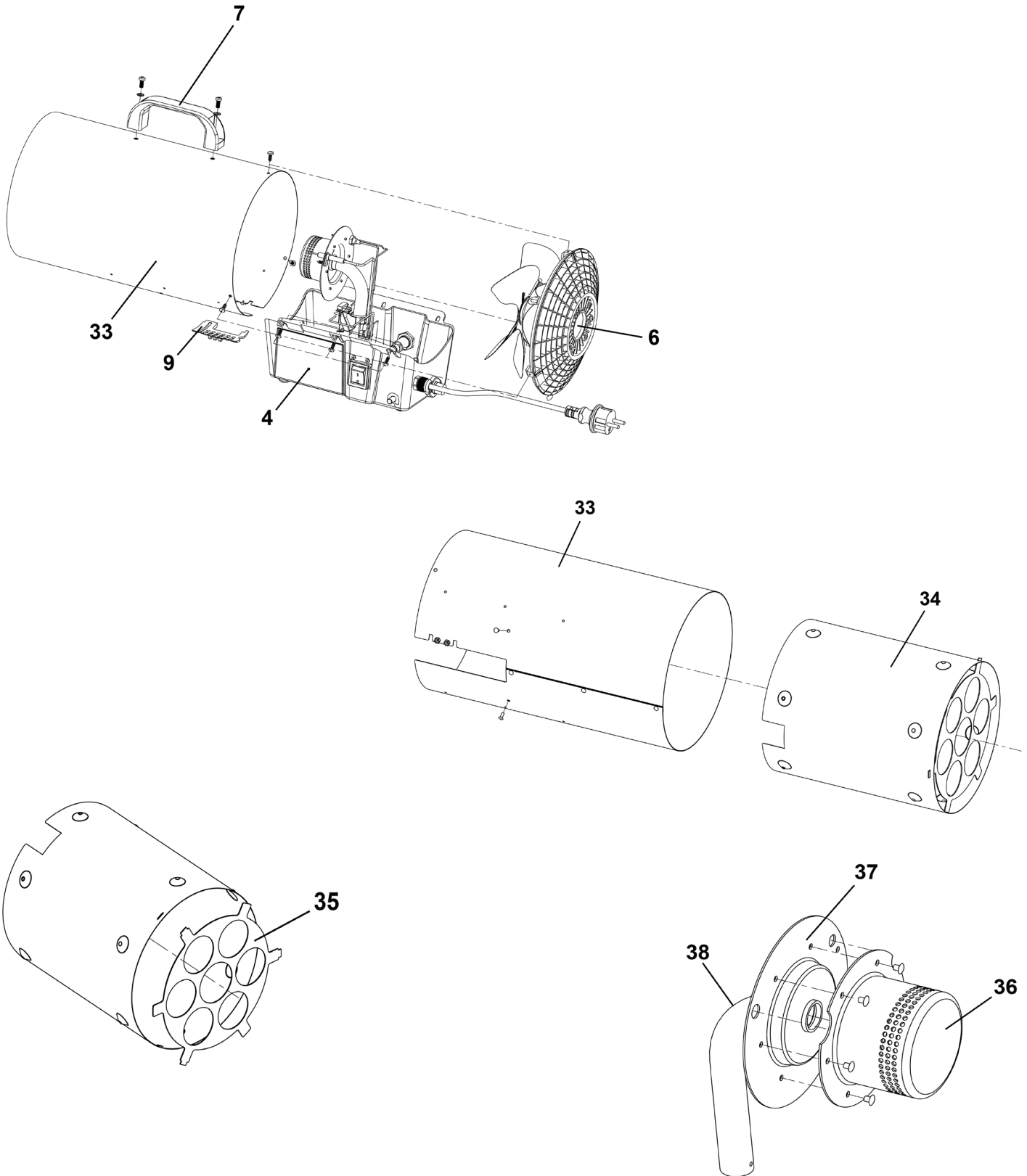




Parts Information:
Space Warmer® Propane Heater
40,500Btu/hr & 54,500Btu/hr
Model No: LP41.V2 & LP55.V2



NOTE: It is our policy to continually improve products and as such we reserve the right to alter data, specifications and component parts without prior notice.

IMPORTANT: No liability is accepted for incorrect use of product.

WARRANTY: Guarantee is 12 months from purchase date, proof of which will be required for any claim.

Sealey Group, Kempson Way, Suffolk Business Park, Bury St Edmunds, Suffolk. IP32 7AR



01284 757500



01284 703534



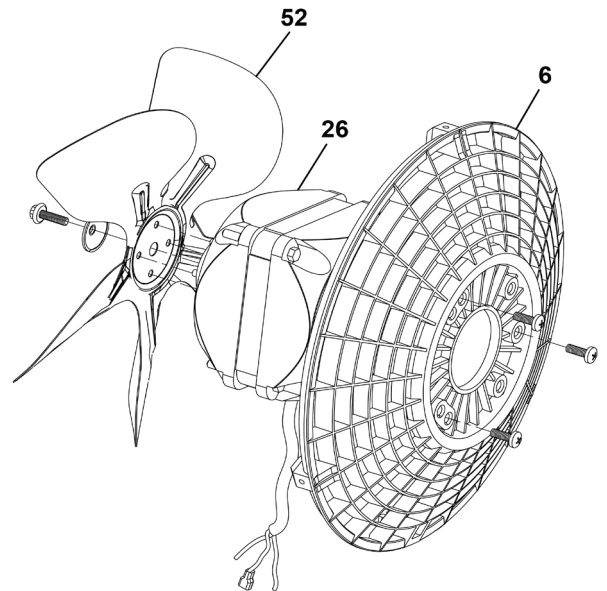
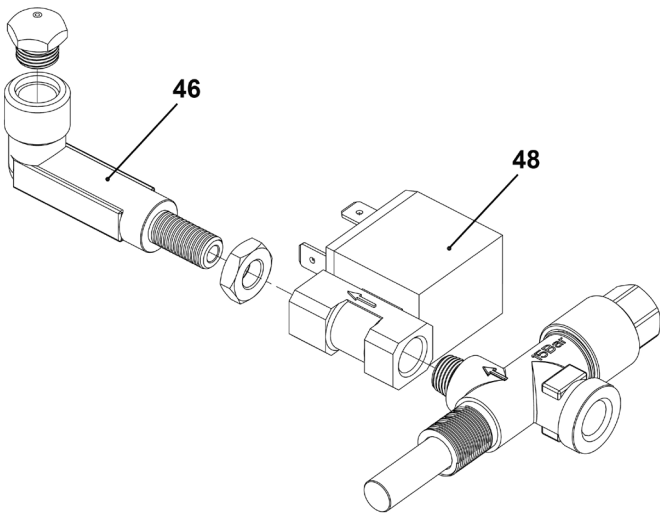
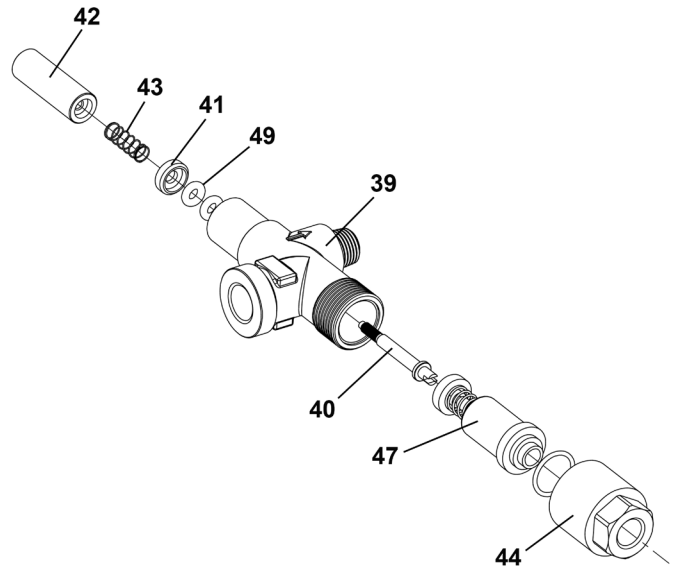
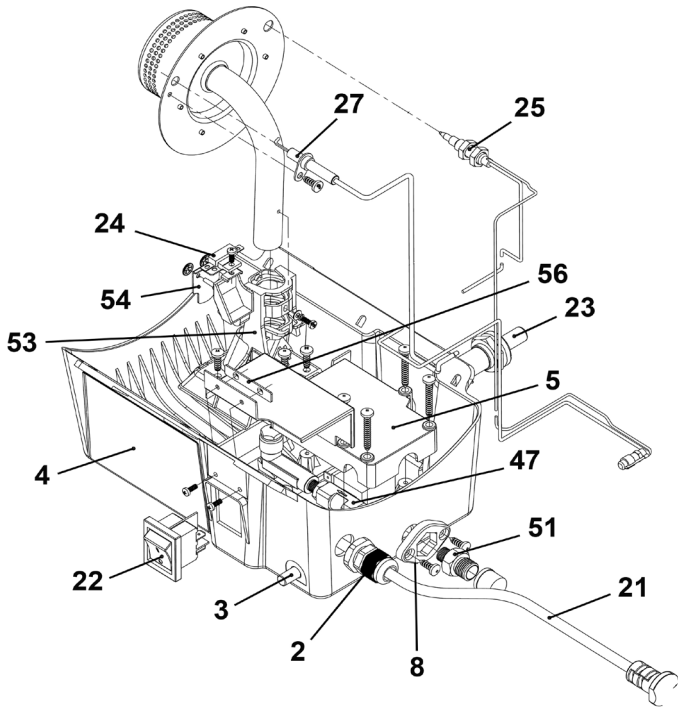
sales@sealey.co.uk



www.sealey.co.uk



Parts Information:
Space Warmer® Propane Heater
40,500Btu/hr & 54,500Btu/hr
Model No: LP41.V2 & LP55.V2



NOTE: It is our policy to continually improve products and as such we reserve the right to alter data, specifications and component parts without prior notice.

IMPORTANT: No liability is accepted for incorrect use of product.

WARRANTY: Guarantee is 12 months from purchase date, proof of which will be required for any claim.

Sealey Group, Kempson Way, Suffolk Business Park, Bury St Edmunds, Suffolk. IP32 7AR



01284 757500



01284 703534



sales@sealey.co.uk



www.sealey.co.uk



Parts Information:
Space Warmer® Propane Heater
40,500Btu/hr & 54,500Btu/hr
Model No: LP41.V2 & LP55.V2

Item	Part No.	Description
--	LP55.01	BASE SUPPORT (not shown)
2	LP55.02	CABLE GRIP
3	LP55.03	VALVE BUTTON (RED)
4	LP55.04	PLASTIC BASE
5	LP55.05	SOLENOID VALVE COVER
6	LP55.06	PLASTIC GUARD
7	LP55.07	HANDLE
8	LP55.08	GAS NOZZLE HOLDER
9	LP55.09	PLASTIC BASE PLATE
--	LP55.10	CABLE TIE (not shown)
--	LP55.11	CLEAR PIPE 3x5 (not shown)
--	LP55.12	CLEAR PIPE 3x5 (not shown)
21	LP55.21	POWER CABLE
22	LP55.22	POWER SWITCH
23	LP55.23	PIEZOIGNITOR
24	LP55.24	THERMAL CONTROL
25	LP55.25	THERMOCOUPLE
26	LP55.26	MOTOR
27	LP55.27	IGNITION ASS'Y
33	LP41.33	COMBUSTION CHAMBER (LP41 only)
--	LP55.33	COMBUSTION CHAMBER (LP55 only)
34	LP41.34	BODY (LP41 only)

Item	Part No.	Description
--	LP55.34	BODY (LP55 only)
35	LP55.35	PROTECTION PLATE
36	LP55.36	BURNER
37	LP55.37	BURNER PLATE
38	LP55.38	BURNER SUPPORT
39	LP55.39	VALVE BODY
40	LP55.40	GUIDE ROD
41	LP55.41	POSITIONING RING
42	LP55.42	GUIDE BUSHING
43	LP55.43	COMPRESSED SPRING
44	LP55.44	ALUMINIUM CAP
45	LP41.45	NOZZLE (LP41 only) (not shown)
--	LP55.45	NOZZLE (LP55 only) (not shown)
46	LP55.46	ELBOW
47	LP55.47	ELECTRO-MAGNETIC VALVE
48	LP55.48	SOLENOID VALVE
49	LP55.49	O-RING 2.8x1.8
51	LP55.51	INLET FITTING
52	LP55.52	FAN BLADE
53	LP55.53	ALUMINIUM HOLDER
54	LP55.54	TEMPERATURE CONTROL SWITCH BRACKET
56	LP55.56	PLATE

NOTE: It is our policy to continually improve products and as such we reserve the right to alter data, specifications and component parts without prior notice.

IMPORTANT: No liability is accepted for incorrect use of product.

WARRANTY: Guarantee is 12 months from purchase date, proof of which will be required for any claim.

Sealey Group, Kempson Way, Suffolk Business Park, Bury St Edmunds, Suffolk. IP32 7AR



01284 757500



01284 703534



sales@sealey.co.uk



www.sealey.co.uk