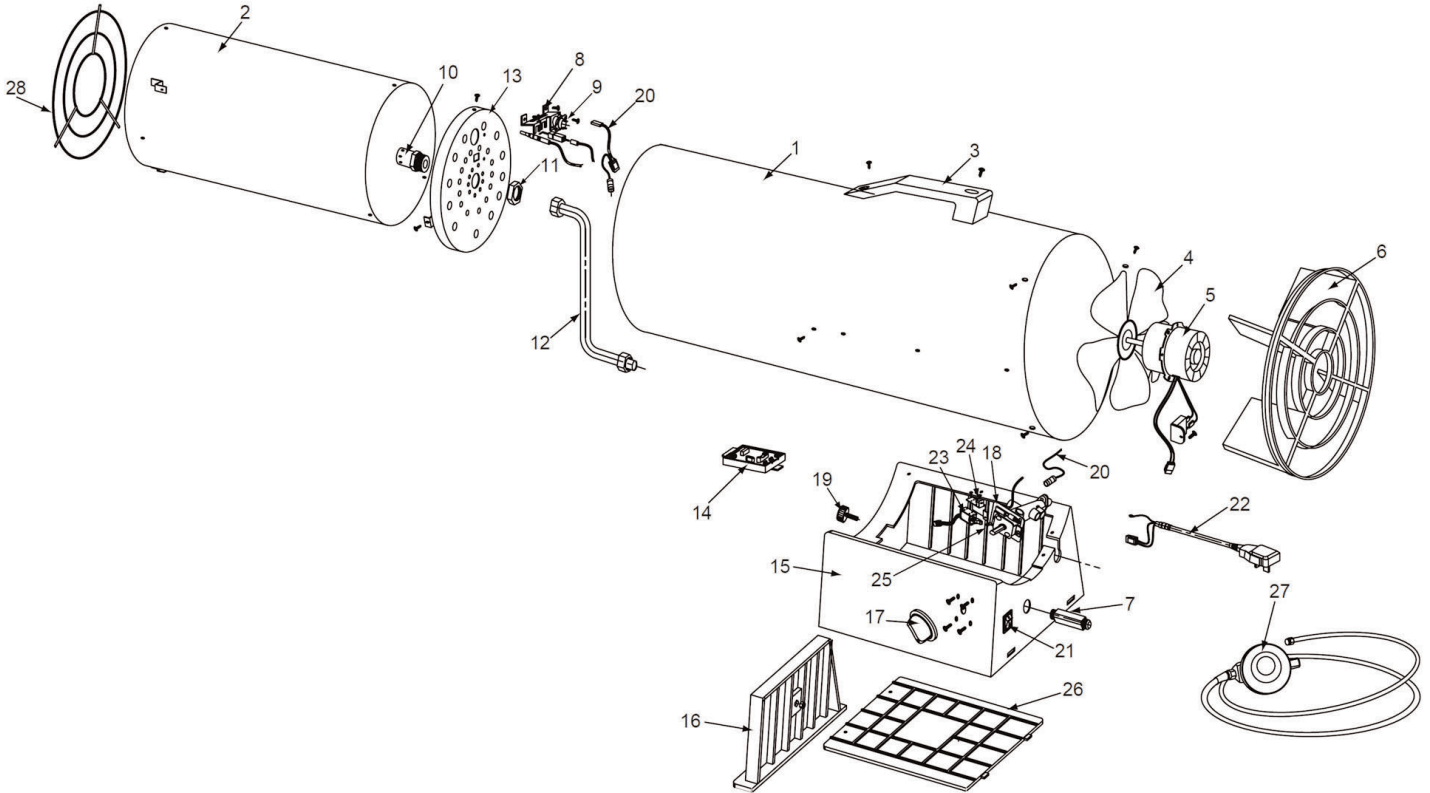


Parts Information:  
**Space Warmer® Propane Heater**  
**42,000Btu/hr**  
**Model No: LP40**



Item	Part No.	Description
1	P22-524-0013	BODY
2	P22-524-0004	CHAMBER
3	P22-511-0004	HANDLE
4	P22-514-0001	FAN
5	P22-061-0008	MOTOR ASS'Y
6	P22-101-0010	GUARD ASS'Y
7	P22-507-0011	INLET CONNECTOR
8	P22-504-0002	MULTI-BRACKET ASS'Y (C/W THERMOCOUPLE)
9	P22-603-0005	THERMAL SWITCH (CUT OFF TEMP 65°C)
10	P22-081-0007	NOZZLE
11	P22-518-0001	NUT FOR NOZZLE
12	P22-605-0001	DELIVERY TUBE
13	P22-505-0006	CHAMBER RING
14	P22-521-0004	PCB ASS'Y
15	P22-501-0007	LOWER SUPPORT
16	P22-512-0005	HEIGHT CONTROLLER

Item	Part No.	Description
17	P22-516-0004	VALVE KNOB
18	P22-011-0009	VALVE ASS'Y
19	P22-503-0003	BOLT
20	P22-601-0001	THERMAL SWITCH CABLE
21	P22-603-0007	POWER SWITCH (ROCKER)
22	P22-131-0010	POWER CORD ASS'Y
23	P22-504-0020	SOLENOID ASS'Y
24	P22-504-0025	SOLENOID BRACKET
25	P22-504-0030	SOLENOID ARM GUIDE
26	P22-508-0001	LOWER SUPPORT COVER
27	P22-041-0008	REGULATOR ASS'Y (30mbar) C/W HOSE
28	P22-101-0008	FRONT GRILLE
--	LP40.L	LABEL FOR VALVE KNOB (NOT SHOWN)
--	LP40.L1	SPEC LABEL (NOT SHOWN)
--	LP-GEN	GENERAL LABEL (NOT SHOWN)
--	P22-509-0001	PLASTIC FAN DISC (NOT SHOWN)

**NOTE:** It is our policy to continually improve products and as such we reserve the right to alter data, specifications and component parts without prior notice.

**IMPORTANT:** No liability is accepted for incorrect use of product.

**WARRANTY:** Guarantee is 12 months from purchase date, proof of which will be required for any claim.