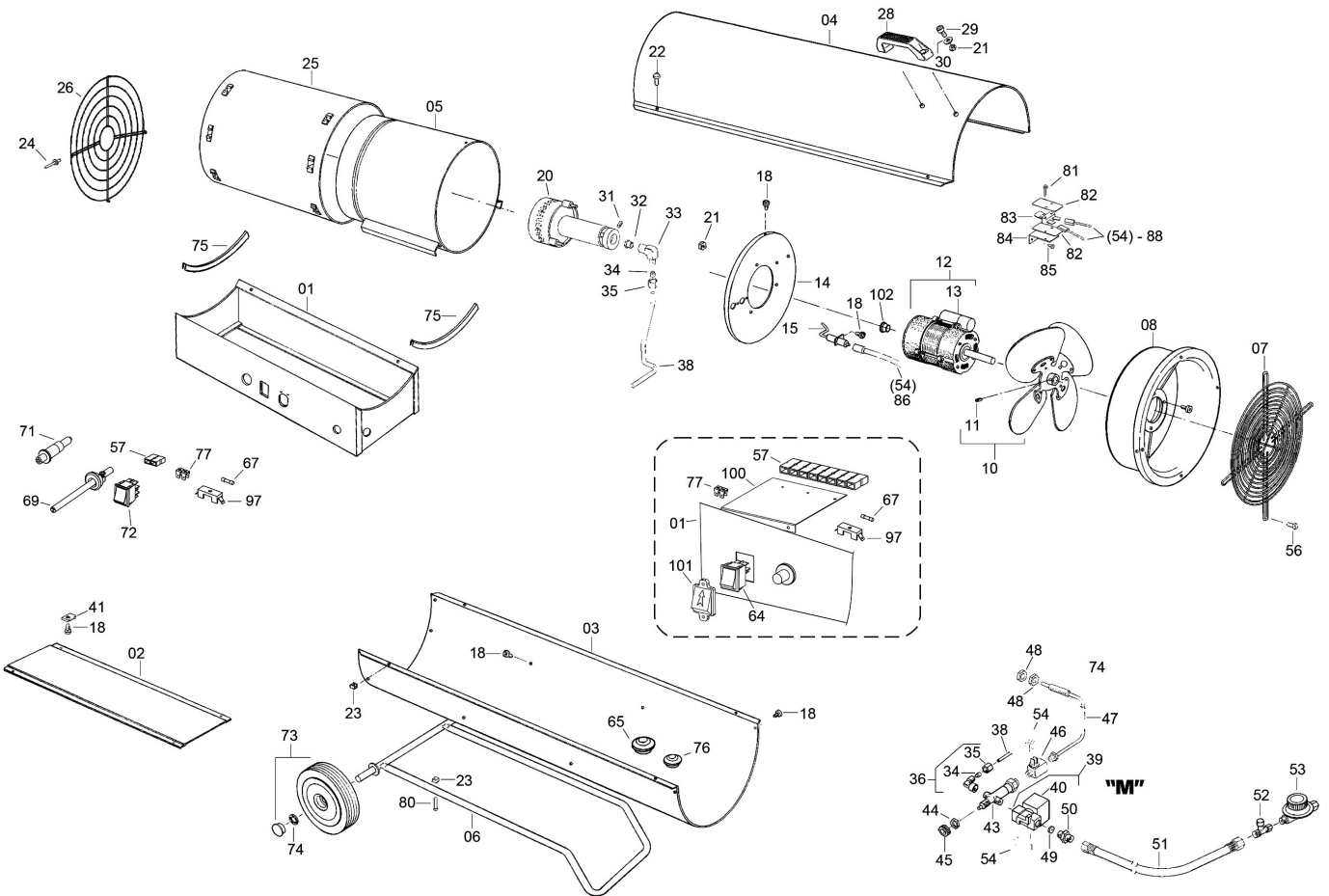




Parts Information:
Space Warmer® Propane Heater 119,500-
372,200Btu/hr 110/230V
Model No: LP400



NOTE: It is our policy to continually improve products and as such we reserve the right to alter data, specifications and component parts without prior notice.

IMPORTANT: No liability is accepted for incorrect use of product.

WARRANTY: Guarantee is 12 months from purchase date, proof of which will be required for any claim.

Sealey Group, Kempson Way, Suffolk Business Park, Bury St Edmunds, Suffolk. IP32 7AR



01284 757500



01284 703534



sales@sealey.co.uk



www.sealey.co.uk



Parts Information:
Space Warmer® Propane Heater 119,500-372,200Btu/hr 110/230V
Model No: LP400

Item	Part No.	Description
1	LP400.01	LOWER SUPPORT
2	LP400.02	INSPECTION DOOR
3	LP400.03	LOWER BODY
4	LP400.04	UPPER BODY
5	LP400.05	COMBUSTION CHAMBER
6	LP400.06	FRAME
7	LP400.07	GRILLE
8	LP400.08	MOTOR COVER
10	LP400.10	FAN
11	LP400.11	SCREW (M8x8)
12	LP400.12	MOTOR 130W
13	LP400.13	CAPACITOR 14uF
14	LP400.14	BURNER DISC
15	LP200.V4-58	IGNITION ELECTRODE
18	LP200.V4-19	SCREW (8x3/8")
20	LP300.V5-27	BURNER
21	SN6.S	STEEL NUT M6 ZINC DIN934 (SINGLE)
22	LP400.22	SCREW (M5x10)
23	SN5.S	STEEL NUT M5 ZINC DIN934 (SINGLE)
24	LP200.V4-22	RIVET
25	LP400.25	BODY
26	LP400.26	OUTLET GRILLE
28	AB70P.02	HANDLE
29	LP200.V4-15	SCREW (M6x14)
30	LP200.V4-16	WASHER
31	LP200.V4-28	SCREW (M5x8)
32	LP400.32	NOZZLE
33	LP200.V4-29	NOZZLE CONNECTOR
34	LP200.V4-30	OLIVE
35	LP200.V4-31	NUT FOR OLIVE
36	LP200.V4-60	CONNECTOR 1/4"
38	LP400.38	GAS HOSE
39	LP200.V4-34	SOLENOID VALVE 1/4"
40	LP200.V4-35	SOLENOID COIL
41	AB125P.12	PLATE
43	LP200.V4-61	GAS VALVE

Item	Part No.	Description
44	SN12.S	STEEL NUT M12 ZINC DIN934(SINGLE)
45	LP200.V4-63	VALVE BUSH
46	LP200.V4-64	CIRCUIT BREAKER
47	LP200.V4-65	THERMOCOUPLE
48	SN8.S	STEEL NUT M8 ZINC DIN934 (SINGLE)
49	LP300.V5-36	DIAPHRAGM
50	LP200.V4-37	CONNECTOR 1/4"
51	LP300.V5-69	GAS HOSE
52	LP300.V5-70	FLOW VALVE
53	LP200.V4-71	PRESSURE REGULATOR (0.5-2bar)
54	LP400.54	CABLE SET
56	LP400.22	SCREW (M5x10)
57	LP200.V4-42	TERMINAL BOARD
64	LP200.V4-48	SWITCH
65	LP400.65	PROTECTION CABLE
67	LP300.V5-51	FUSE 6A 500V 3.2 x 0.6
69	LP200.V4-44	CABLE WITH PLUG
71	LP200.V4-67	PIEZO-IGNITOR
72	LP200.V4-68	SWITCH
73	LP400.73	WHEEL, FIXED (197x21x48)
74	AB125P.34	WHEEL CAP
75	LP400.75	V-SEAL
76	LP200.V4-38	PROTECTION CABLE
77	AB70P.29	TERMINAL BOARD
80	LP400.80	SCREW (M5x30)
81	LP200.V4-80	SCREW (4x3/4")
82	LP200.V4-81	INSULATOR
83	LP200.V4-82	THERMOSTAT
84	LP200.V4-83	SUPPORT
85	LP200.V4-14	SCREW (4x3/8")
86	LP200.V4-84	ELECTRODE CABLE
88	LP300.V5-86	THERMOSTAT CABLE
97	LP200.V4-97	FUSE HOLDER
100	LP200.V4-95	SUPPORT
101	LP200.V4-96	SWITCH COVER
102	LP400.102	DRAIN PLUG

NOTE: It is our policy to continually improve products and as such we reserve the right to alter data, specifications and component parts without prior notice.

IMPORTANT: No liability is accepted for incorrect use of product.

WARRANTY: Guarantee is 12 months from purchase date, proof of which will be required for any claim.

Sealey Group, Kempson Way, Suffolk Business Park, Bury St Edmunds, Suffolk. IP32 7AR



01284 757500



01284 703534



sales@sealey.co.uk



www.sealey.co.uk