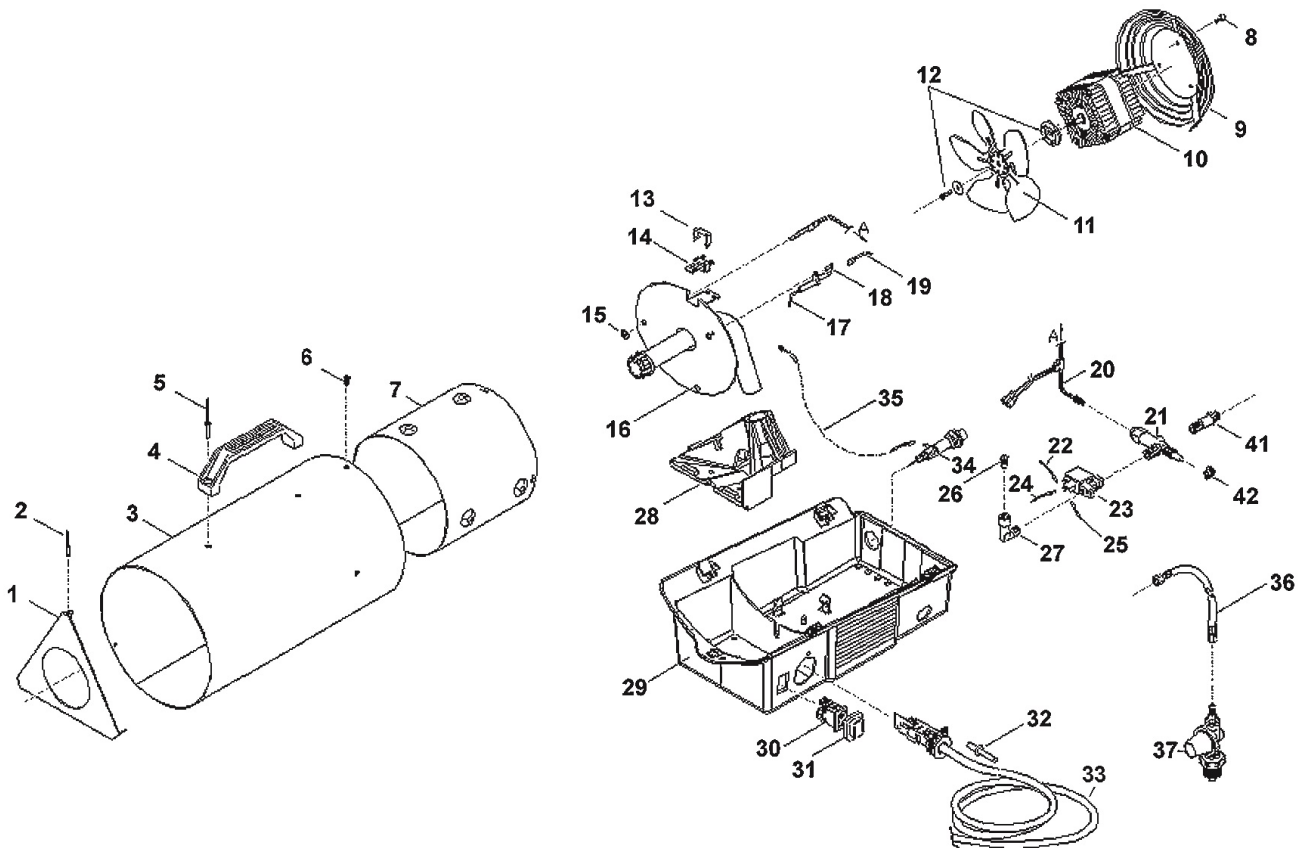




Parts Information:
Space Warmer® Propane Heater
35,000Btu/hr 230V
Model No: LP35.V5



Item	Part No.	Description
1	SL20620016	Triangle Guard
2	SL20230196	Rivet
3	SL1094077555	Casing
--	SL20630075	Casing (NOT SHOWN)
4	SL20010007	Handle
5	SL20230191	Rivet
6	SL1016001700	Screw
7	SL1094087355	Combustion Chamber
8	SL1016005400	Screw
9	SL1006000455	Rear Grille
10	SL20400023	Motor 5w 230v 50hz
11	SL20200014	Fan
12	SL1001013755	Coupling
13	SL1023007955	Bracket
14	SL20360008	Safety Thermostat
15	SL20230223	Retaining Washer (Star Clip) M6
16	SL20622306	Burner Kid 10/15 S/Steel
17	SL20300004	Ignition Electrode
18	SL1016001700	Screw
19	SL1039000355	Cable
20	SL1068000855	Thermocouple

Item	Part No.	Description
--	SL20130004	Thermocouple (NOT SHOWN)
21	SL20140001	Gas Valve
22	SL1039009155	Cable
23	SL20420003	Solenoid Valve
24	SL1039002655	Cable
25	SL1039024167	Cable
26	SL1088011955	Gas Nozzle d.0,9
27	SL1067000400	Fitting 1/8m+1/8f
28	SL20010053	Burner Support
29	SL20010052	Lower Support
30	SL20320005	Switch On/Off Dual-Pol Kid10/1
31	SL20020011	Switch Cap
32	SL1019002800	Rivet
33	MC3CX0.75	Mains Cable Blk, 3 core, 0.75 mm2
34	SL20320019	Piezo Ignitor d.22
35	SL1039033900	Cable
--	SL20390217	Cable (NOT SHOWN)
36	LP/HOSE-1/4	Gas Heater Hose (l:1500mm 1/4"f)
37	SL20150009	Pressure Regulator 20Bar
41	SL20100034	Inlet Fitting
42	SL1017002600	Nut

NOTE: It is our policy to continually improve products and as such we reserve the right to alter data, specifications and component parts without prior notice.

IMPORTANT: No liability is accepted for incorrect use of product.

WARRANTY: Guarantee is 12 months from purchase date, proof of which will be required for any claim.

Sealey Group, Kempson Way, Suffolk Business Park, Bury St Edmunds, Suffolk. IP32 7AR



01284 757500



01284 703534



sales@sealey.co.uk



www.sealey.co.uk