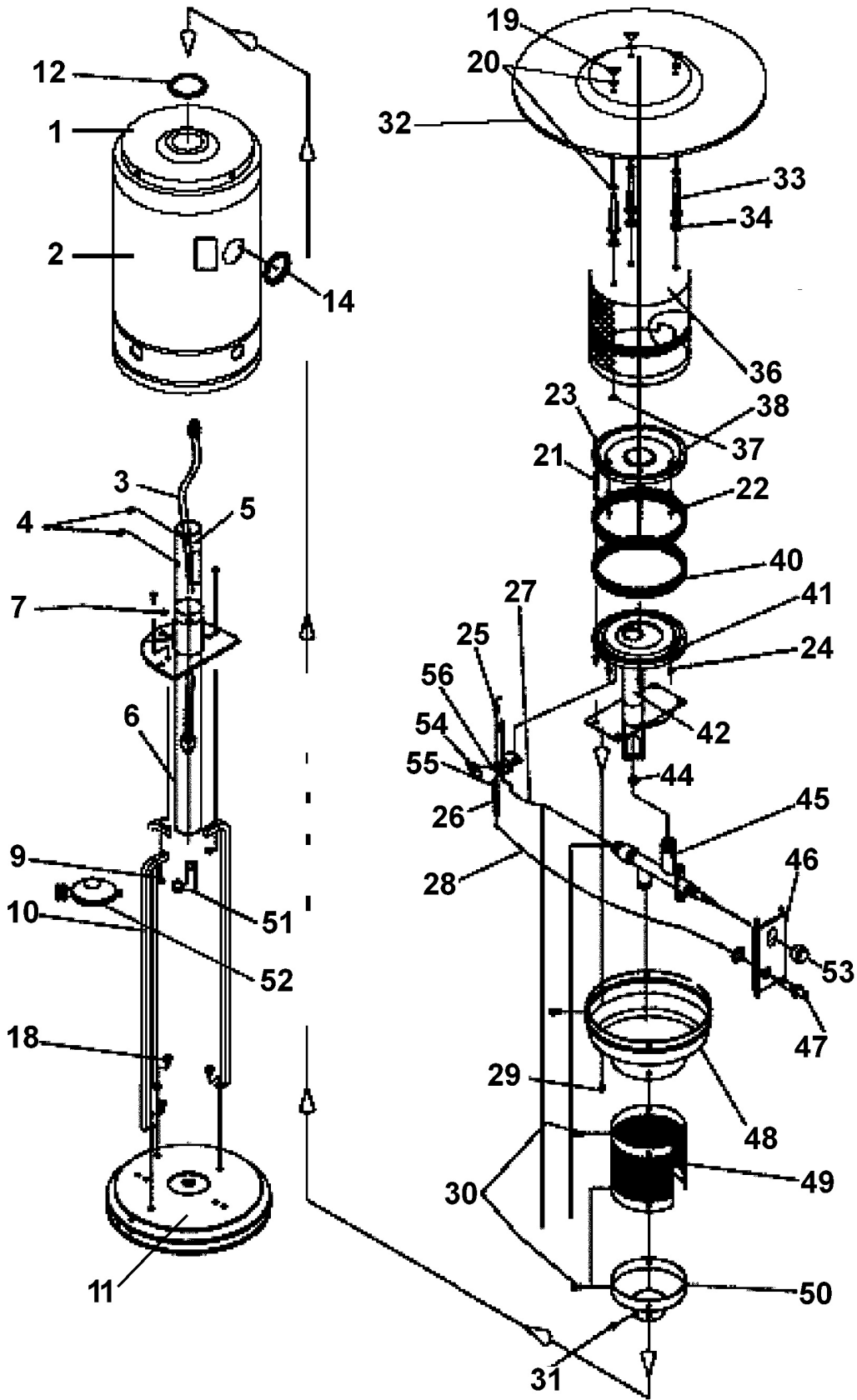


Parts Information:
Infrared Tower Propane Space Heater
12.5kW Stainless Steel
Model No: LP352S



NOTE: It is our policy to continually improve products and as such we reserve the right to alter data, specifications and component parts without prior notice.

IMPORTANT: No liability is accepted for incorrect use of product.

WARRANTY: Guarantee is 12 months from purchase date, proof of which will be required for any claim.



Parts Information:
Infrared Tower Propane Space Heater
12.5kW Stainless Steel
Model No: LP352S

Item	Part No.	Description
1	LP352S.01	Tank Body Top
2	LP352S.02	Tank Body
3	LP352S.03	Gas Pipe 1.4mm
4	LP352S.04	Stop Screw (M6 x 10)
5	LP352S.05	Section Pole 2" x 855mm
6	LP352S.06	Pole Assembly (Inc Base)
7	LP352S.07	Pole Stop Screw
9	LP352S.06	Pole Assembly (Inc Base)
--	SN6.S	Steel Nut M6 Zinc Din934 (Single) (NOT SHOWN)
10	LP352S.10	Bracket
11	LP352S.11	Base
12	LP352S.12	Rubber Ring
14	LP352S.14	Rubber Ring
18	LP352S.18	Bolt M6x30
19	SN8.SW	Wing Nut M8 (Single)
20	LP352S.20	Washer
21	LP352S.21	Burner Ring Bolt M4x43
22 & 23	SN4.S	Steel Nut M4 Zinc Din934 (Single)
24	LP352S.24	Washer M4
25	LP352S.25	Electrode Assembly
26	LP352S.26	Wire Protection Sleeve
27	LP352S.27	Thermocouple
28	LP352S.25	Electrode Assembly

Item	Part No.	Description
29	LP352S.29	Screw M4
30	LP352S.30	Self Tapping Screw
31	LP352S.31	Screw M6x10
32	LP352S.32	Reflector
33	LP352S.33	Reflector Support Bolt
34	RW825.S	Repair Washer M8x25 (Single)
36	LP352S.36	Flame Screen Complete
37	FN8.S	Flange Nut Serrated M8 Zinc (Single)
38	LP352S.38	Burner Ring Cap
40	LP352S.40	Burner Ring
41 & 42	LP352S.41	Burner Ring Base Set
44	LP352S.44	Injector
45	LP352S.45	Gas Safety Control Valve
46	LP352S.46	Valve Main Plate
47	LP352S.47	Ignition Spark
48	LP352S.48	Burner Housing Base
49	LP352S.49	Air Mixer
50	LP352S.50A	Air Mix Base (Stainless Steel)
51	LP352S.51	Hose Connector
52	LP352S.52	Pressure Regulator "Quick Fit"
53	LP352S.53	Knob
54	LP352S.54	Wind Plate
55	LP352S.55	Clip
56	LP352S.56	Ignition Bracket

NOTE: It is our policy to continually improve products and as such we reserve the right to alter data, specifications and component parts without prior notice.

IMPORTANT: No liability is accepted for incorrect use of product.

WARRANTY: Guarantee is 12 months from purchase date, proof of which will be required for any claim.

Sealey Group, Kempson Way, Suffolk Business Park, Bury St Edmunds, Suffolk. IP32 7AR



01284 757500



01284 703534



sales@sealey.co.uk



www.sealey.co.uk