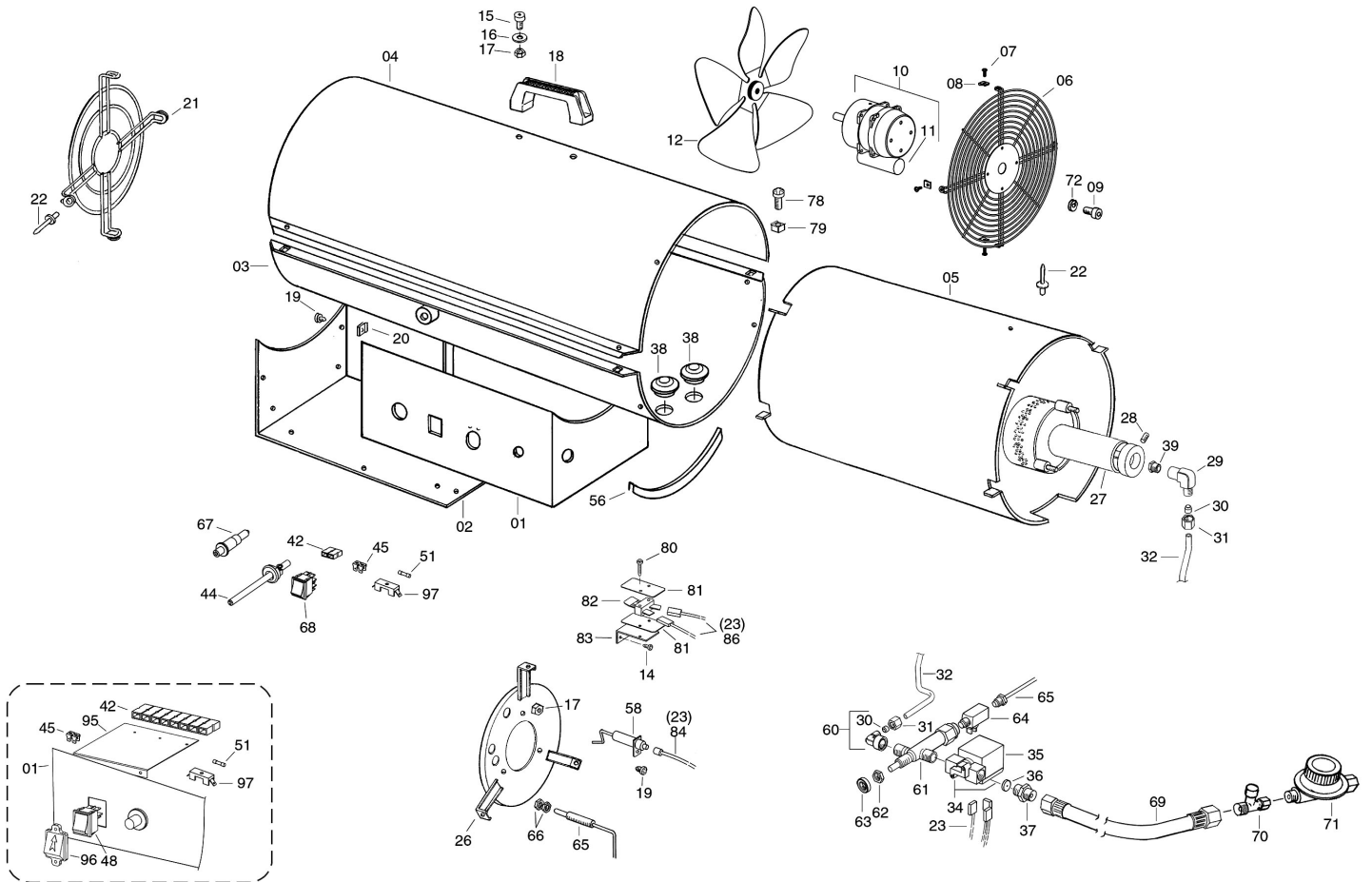




Parts Information:  
**Space Warmer® Propane Heater 112,700-273,150Btu/hr 110/230V**  
**Model No: LP300.V5**



**NOTE:** It is our policy to continually improve products and as such we reserve the right to alter data, specifications and component parts without prior notice.

**IMPORTANT:** No liability is accepted for incorrect use of product.

**WARRANTY:** Guarantee is 12 months from purchase date, proof of which will be required for any claim.

**Sealey Group**, Kempson Way, Suffolk Business Park, Bury St Edmunds, Suffolk. IP32 7AR



01284 757500



01284 703534



sales@sealey.co.uk



www.sealey.co.uk



Parts Information:  
Space Warmer® Propane Heater 112,700-  
273,150Btu/hr 110/230V  
Model No: LP300.V5

| Item | Part No.    | Description                       |
|------|-------------|-----------------------------------|
| 1    | LP300.V5-01 | LOWER SUPPORT                     |
| 2    | LP300.V5-02 | INSPECTION DOOR                   |
| 3    | LP300.V5-03 | LOWER BODY                        |
| 4    | LP300.V5-04 | UPPER BODY                        |
| 5    | LP300.V5-05 | COMBUSTION CHAMBER                |
| 6    | LP300.V5-06 | GRILLE                            |
| 7    | LP200.V4-07 | SCREW (TC8x1/2")                  |
| 8    | AB70P.06    | PLATE                             |
| 9    | LP200.V4-09 | SCREW (M4x8)                      |
| 10   | LP300.V5-10 | MOTOR 110/230V 50Hz               |
| 11   | LP300.V5-11 | CAPACITOR 4uf 425/450/500v 60x30  |
| 12   | AB160P.11   | FAN                               |
| 14   | LP200.V4-14 | SCREW (4x3/8")                    |
| 15   | LP200.V4-15 | SCREW (M6x14)                     |
| 16   | LP200.V4-16 | WASHER                            |
| 17   | SN6.S       | STEEL NUT M6 ZINC DIN934 (SINGLE) |
| 18   | AB70P.02    | HANDLE                            |
| 19   | LP200.V4-19 | SCREW (8x3/8")                    |
| 20   | AB125P.12   | PLATE                             |
| 21   | LP200.V4-21 | OUTLET GRILLE                     |
| 22   | LP200.V4-22 | RIVET                             |
| 23   | LP400.54    | CABLE SET                         |
| 26   | LP300.V5-26 | BURNER DISC                       |
| 27   | LP300.V5-27 | BURNER                            |
| 28   | LP200.V4-28 | SCREW (M5x8)                      |
| 29   | LP200.V4-29 | NOZZLE CONNECTOR                  |
| 30   | LP200.V4-30 | OLIVE                             |
| 31   | LP200.V4-31 | NUT FOR OLIVE                     |
| 32   | LP300.V5-32 | GAS HOSE                          |
| 34   | LP200.V4-34 | SOLENOID VALVE 1/4"               |
| 35   | LP200.V4-35 | SOLENOID COIL                     |
| 36   | LP300.V5-36 | DIAPHRAGM                         |
| 37   | LP200.V4-37 | CONNECTOR 1/4"                    |

| Item | Part No.    | Description                       |
|------|-------------|-----------------------------------|
| 38   | LP200.V4-38 | PROTECTION CABLE                  |
| 39   | LP300.V5-39 | NOZZLE                            |
| 42   | LP200.V4-42 | TERMINAL BOARD                    |
| 44   | LP200.V4-44 | CABLE WITH PLUG                   |
| 45   | AB70P.29    | TERMINAL BOARD                    |
| 48   | LP200.V4-48 | SWITCH                            |
| 51   | LP300.V5-51 | FUSE 6A 500V 3.2 x 0.6            |
| 56   | LP200.V4-56 | V-SEAL                            |
| 58   | LP200.V4-58 | IGNITION ELECTRODE                |
| 60   | LP200.V4-60 | CONNECTOR 1/4"                    |
| 61   | LP200.V4-61 | GAS VALVE                         |
| 62   | SN12.S      | STEEL NUT M12 ZINC DIN934(SINGLE) |
| 63   | LP200.V4-63 | VALVE BUSH                        |
| 64   | LP200.V4-64 | CIRCUIT BREAKER                   |
| 65   | LP200.V4-65 | THERMOCOUPLE                      |
| 66   | SN8.S       | STEEL NUT M8 ZINC DIN934 (SINGLE) |
| 67   | LP200.V4-67 | PIEZO-IGNITOR                     |
| 68   | LP200.V4-68 | SWITCH                            |
| 69   | LP300.V5-69 | GAS HOSE                          |
| 70   | LP300.V5-70 | FLOW VALVE                        |
| 71   | LP200.V4-71 | PRESSURE REGULATOR (0.5-2bar)     |
| 72   | LP200.V4-72 | WASHER                            |
| 78   | LP300.V5-78 | SCREW (M5x16)                     |
| 79   | SN5.S       | STEEL NUT M5 ZINC DIN934 (SINGLE) |
| 80   | LP200.V4-80 | SCREW (4x3/4")                    |
| 81   | LP200.V4-81 | INSULATOR                         |
| 82   | LP200.V4-82 | THERMOSTAT                        |
| 83   | LP200.V4-83 | SUPPORT                           |
| 84   | LP200.V4-84 | ELECTRODE CABLE                   |
| 86   | LP300.V5-86 | THERMOSTAT CABLE                  |
| 95   | LP200.V4-95 | SUPPORT                           |
| 96   | LP200.V4-96 | SWITCH COVER                      |
| 97   | LP200.V4-97 | FUSE HOLDER                       |

**NOTE:** It is our policy to continually improve products and as such we reserve the right to alter data, specifications and component parts without prior notice.

**IMPORTANT:** No liability is accepted for incorrect use of product.

**WARRANTY:** Guarantee is 12 months from purchase date, proof of which will be required for any claim.

Sealey Group, Kempson Way, Suffolk Business Park, Bury St Edmunds, Suffolk. IP32 7AR



01284 757500



01284 703534



sales@sealey.co.uk



www.sealey.co.uk