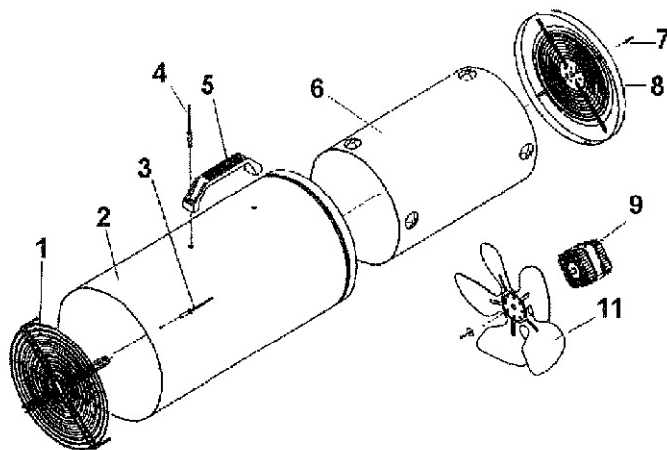
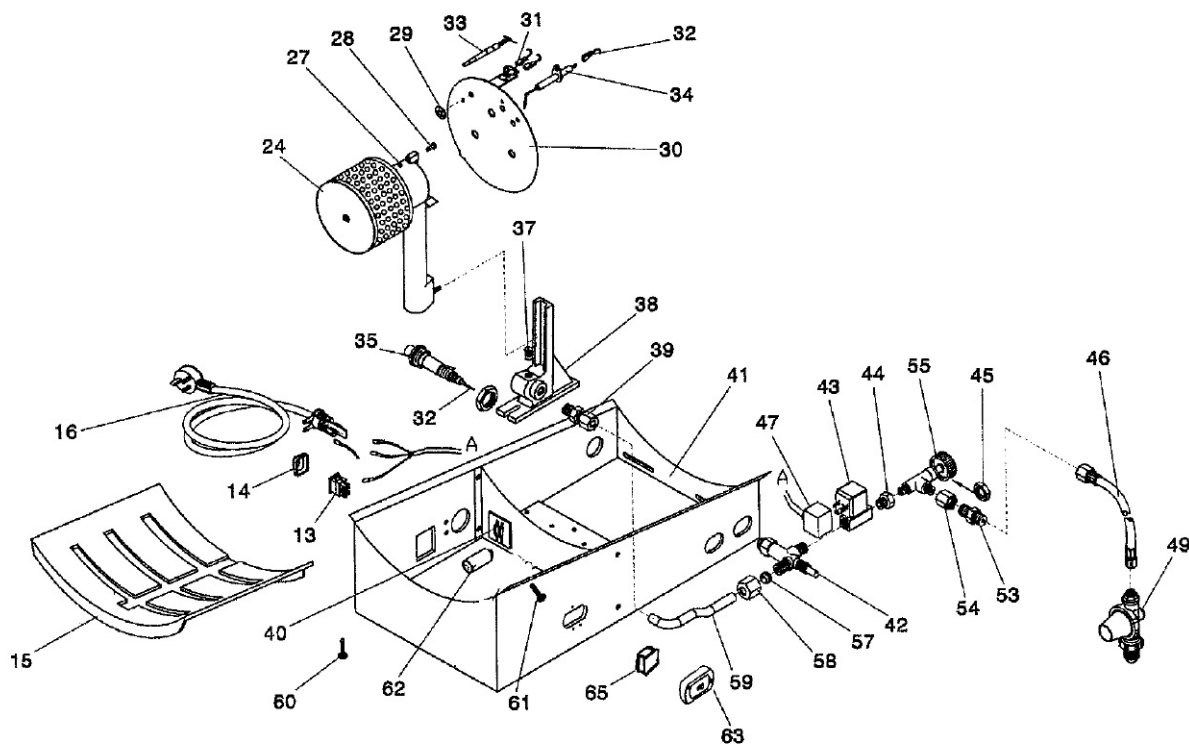




Parts Information:  
Space Warmer Propane Heater 112,700-  
273,150Btu/hr 110/230V  
Model No: LP300



**NOTE:** It is our policy to continually improve products and as such we reserve the right to alter data, specifications and component parts without prior notice.

**IMPORTANT:** No liability is accepted for incorrect use of product.

**WARRANTY:** Guarantee is 12 months from purchase date, proof of which will be required for any claim.

Sealey Group, Kempson Way, Suffolk Business Park, Bury St Edmunds, Suffolk. IP32 7AR



01284 757500



01284 703534



sales@sealey.co.uk



www.sealey.co.uk



Parts Information:  
Space Warmer Propane Heater 112,700-  
273,150Btu/hr 110/230V  
Model No: LP300

Item	Part No.	Description
1	SL1090001855	Front grid
2	SL2003206455	Body
3	SL20230197	Rivet
4	SL1019001700	Rivet
5	SL20010005	Handle
6	SL2003206555	Chamber
7	SL20230017	Screw
8	SL20630671	Rear air inlet kid60/80
9	SL20400041	Motor
11	SL20200041	Fan
13	SL20320003	Switch on/off dual-polarity
14	SL20020010	Cap
15	SL1001009055	Cover
16	CS 2.5M3CBLK	Cord set 2.5m 3 core blk
24	SL20621492	Burner,kid
27	SL20230119	Nut so
28	SS416.S	Hex head set screw m4x16mm single
29	SL20230223	Retaining washer (star clip) m6
30	SL20621839	Burner disc
31	SL20360008	Safety thermostat
32	SL20390007	Cable
33	SL20130003	Thermocouple
34	SL20300000	Ignition electrode kid
35	SL20320062	Piezoignitor

Item	Part No.	Description
37	SL1088005600	Nozzle
38	SL20650006	Burner support f
39	SL1067010255	Fitting
40	SL20010025	Fixing plate
41	SL2003201755	Lower support
42	SL20140000	Gas valve
43	SL1042000600	Solenoid valve
44	SL20120027	Fitting
45	SL1066005355	Half nut
46	SL1077000500	Gas hose
47	SL20430008	Cable + connector
49	SL20150007	Regulator 2 bar
53	SL20120015	Inlet fitting
54	SL20100022	Fitting
55	SL1091001755	Gas tap
57	SL1067009900	Olive
58	SL1067008055	Fitting
59	SL20170003	Copper pipe
60	SL20230065	Screw
61	SL20230062	Screw
62	SL1049000955	Capacitor 4
63	SL20010030	Deviator plate
65	SL20320021	Bipolare deviator

**NOTE:** It is our policy to continually improve products and as such we reserve the right to alter data, specifications and component parts without prior notice.

**IMPORTANT:** No liability is accepted for incorrect use of product.

**WARRANTY:** Guarantee is 12 months from purchase date, proof of which will be required for any claim.

Sealey Group, Kempson Way, Suffolk Business Park, Bury St Edmunds, Suffolk. IP32 7AR



01284 757500



01284 703534



sales@sealey.co.uk



www.sealey.co.uk