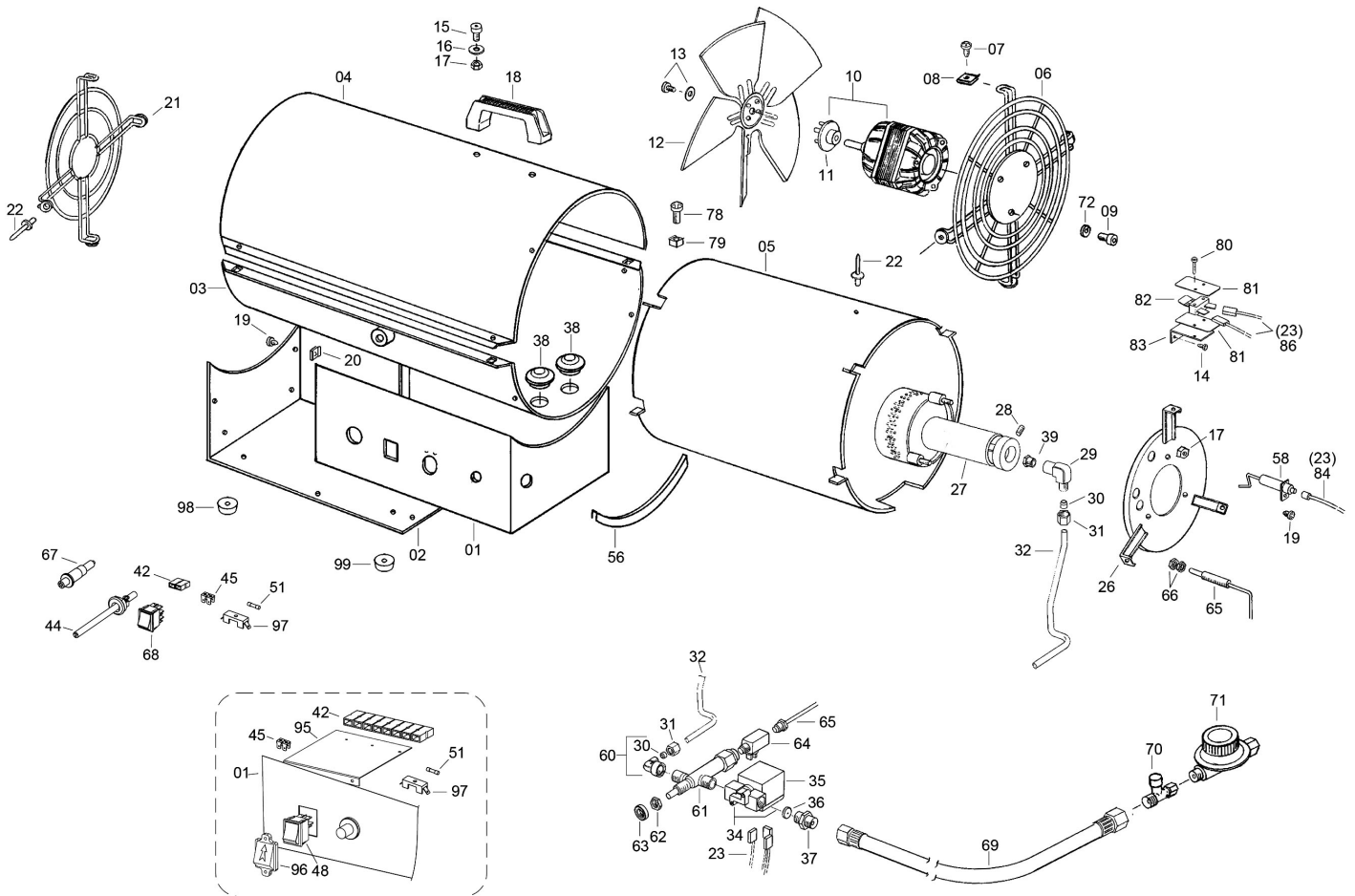




Parts Information:
Space Warmer® Propane Heater 78,500-
187,800Btu/hr 110/230V
Model No: LP200.V4



NOTE: It is our policy to continually improve products and as such we reserve the right to alter data, specifications and component parts without prior notice.

IMPORTANT: No liability is accepted for incorrect use of product.

WARRANTY: Guarantee is 12 months from purchase date, proof of which will be required for any claim.

Sealey Group, Kempson Way, Suffolk Business Park, Bury St Edmunds, Suffolk. IP32 7AR



01284 757500



01284 703534



sales@sealey.co.uk



www.sealey.co.uk



Parts Information:
Space Warmer® Propane Heater 78,500-
187,800Btu/hr 110/230V
Model No: LP200.V4

Item	Part No.	Description
1	LP200.V4-01	LOWER SUPPORT
2	LP200.V4-02	INSPECTION DOOR
3	LP200.V4-03	LOWER BODY
4	LP200.V4-04	UPPER BODY
5	LP200.V4-05	COMBUSTION CHAMBER
6	LP200.V4-06	GRILLE
7	LP200.V4-07	SCREW (TC8x1/2")
8	AB70P.06	PLATE
9	LP200.V4-09	SCREW (M4x8)
10	LP200.V4-10	MOTOR 110/230V
11	LP200.V4-11	FAN RING
12	LP200.V4-12	FAN
13	LP200.V4-13	SCREW
14	LP200.V4-14	SCREW (4x3/8")
15	LP200.V4-15	SCREW (M6x14)
16	LP200.V4-16	WASHER
17	SN6.S	STEEL NUT M6 ZINC DIN934 (SINGLE)
18	AB70P.02	HANDLE
19	LP200.V4-19	SCREW (8x3/8")
20	AB125P.12	PLATE
21	LP200.V4-21	OUTLET GRILLE
22	LP200.V4-22	RIVET
23	LP400.54	CABLE SET
26	LP200.V4-26	BURNER DISC
27	LP200.V4-27	BURNER
28	LP200.V4-28	SCREW (M5x8)
29	LP200.V4-29	NOZZLE CONNECTOR
30	LP200.V4-30	OLIVE
31	LP200.V4-31	NUT FOR OLIVE
32	LP200.V4-32	GAS HOSE
34	LP200.V4-34	SOLENOID VALVE 1/4"
35	LP200.V4-35	SOLENOID COIL
36	LP200.V4-36	DIAPHRAGM
37	LP200.V4-37	CONNECTOR 1/4"

Item	Part No.	Description
38	LP200.V4-38	PROTECTION CABLE
39	LP200.V4-39	NOZZLE
42	LP200.V4-42	TERMINAL BOARD
44	LP200.V4-44	CABLE WITH PLUG
45	AB70P.29	TERMINAL BOARD
48	LP200.V4-48	SWITCH
51	LP200.V4-51	FUSE 4A 500v 3.1x0.6
56	LP200.V4-56	V-SEAL
58	LP200.V4-58	IGNITION ELECTRODE
60	LP200.V4-60	CONNECTOR 1/4"
61	LP200.V4-61	GAS VALVE
62	SN12.S	STEEL NUT M12 ZINC DIN934(SINGLE)
63	LP200.V4-63	VALVE BUSH
64	LP200.V4-64	CIRCUIT BREAKER
65	LP200.V4-65	THERMOCOUPLE
66	SN8.S	STEEL NUT M8 ZINC DIN934 (SINGLE)
67	LP200.V4-67	PIEZO-IGNITOR
68	LP200.V4-68	SWITCH
69	LP200.V4-69	GAS HOSE (L:1500 1/4"F)
70	LP200.V4-70	FLOW VALVE
71	LP200.V4-71	PRESSURE REGULATOR (0.5-2bar)
72	LP200.V4-72	WASHER
78	LP200.V4-78	SCREW (M5x10)
79	SN5.S	STEEL NUT M5 ZINC DIN934 (SINGLE)
80	LP200.V4-80	SCREW (4x3/4")
81	LP200.V4-81	INSULATOR
82	LP200.V4-82	THERMOSTAT
83	LP200.V4-83	SUPPORT
84	LP200.V4-84	ELECTRODE CABLE
95	LP200.V4-95	SUPPORT
96	LP200.V4-96	SWITCH COVER
97	LP200.V4-97	FUSE HOLDER
98	LP200.V4-98	RUBBER FOOT (20x23)
99	LP200.V4-99	RUBBER FOOT (19x10)

NOTE: It is our policy to continually improve products and as such we reserve the right to alter data, specifications and component parts without prior notice.

IMPORTANT: No liability is accepted for incorrect use of product.

WARRANTY: Guarantee is 12 months from purchase date, proof of which will be required for any claim.

Sealey Group, Kempson Way, Suffolk Business Park, Bury St Edmunds, Suffolk. IP32 7AR



01284 757500



01284 703534



sales@sealey.co.uk



www.sealey.co.uk