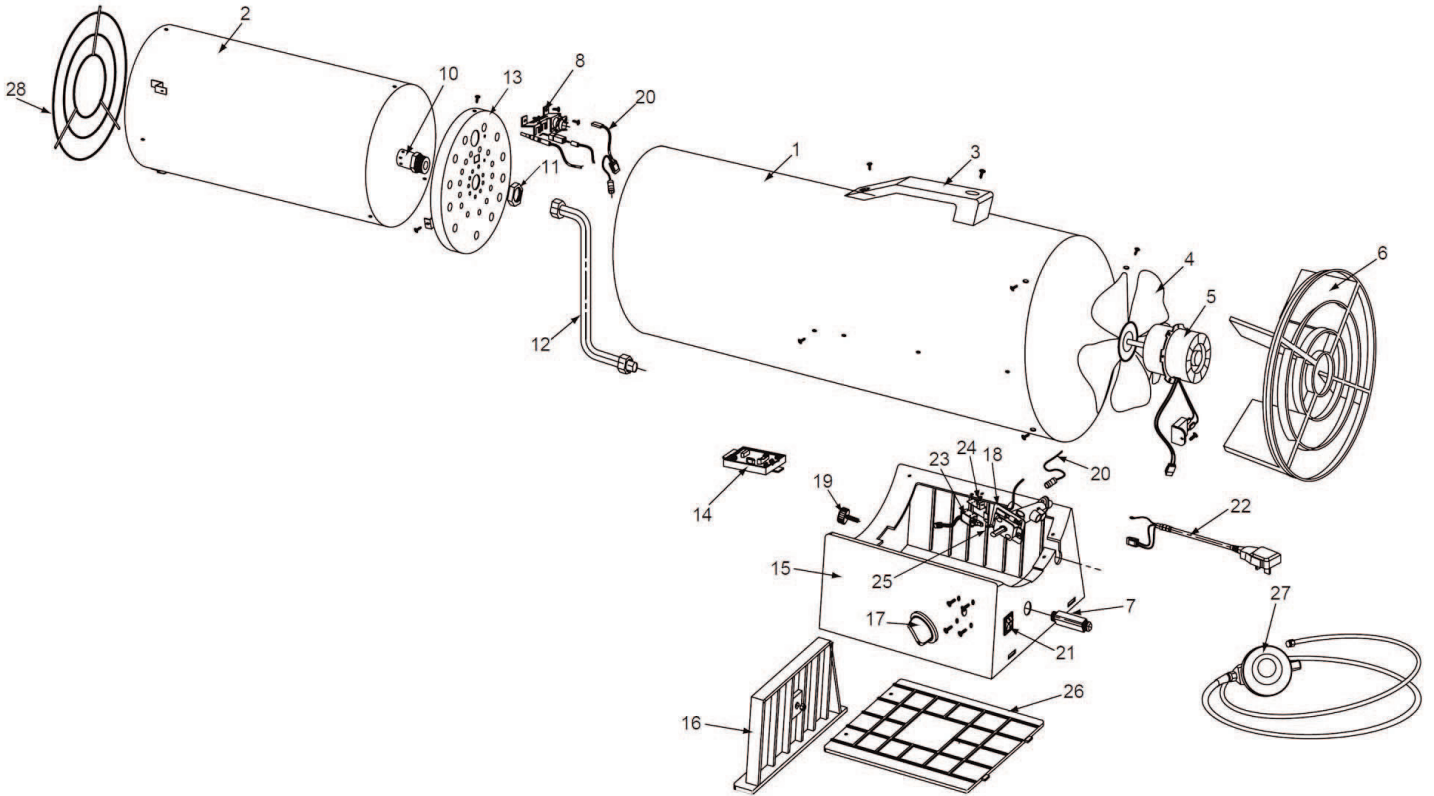




Parts Information:  
**Space Warmer® Propane Heater 68,000-97,000Btu/hr - Stainless Steel**  
**Model No: LP100S**



Item	Part No.	Description
1	P22-524-0092	BODY (STAINLESS)
2	P22-524-0005	CHAMBER
3	P22-511-0005	HANDLE
4	P22-514-0002	FAN
5	P22-061-0009	MOTOR ASS'Y
6	P22-101-0011	GUARD ASS'Y
7	P22-507-0011	INLET CONNECTOR
8	P22-504-0003	MULTI-BRACKET
--	P22-507-0002	MULTI-BRACKET ASS'Y (NOT SHOWN)
10	P22-081-0009	NOZZLE
11	P22-518-0001	NUT FOR NOZZLE
12	P22-605-0006	DELIVERY TUBE
13	P22-505-0007	CHAMBER RING
14	P22-521-0004	PCB ASS'Y
15	P22-501-0012	LOWER SUPPORT (BLACK)
16	P22-512-0008	HEIGHT CONTROLLER

Item	Part No.	Description
17	P22-516-0004	VALVE KNOB
18	P22-011-0011	VALVE ASS'Y
19	P22-503-0003	BOLT
20	P22-601-0001	THERMAL SWITCH CABLE
21	P22-603-0007	POWER SWITCH (ROCKER)
22	P22-131-0010	POWER CORD ASS'Y
23	P22-504-0020	SOLENOID ASS'Y
24	P22-504-0025	SOLENOID BRACKET
25	P22-504-0030	SOLENOID ARM GUIDE
26	P22-508-0002	LOWER SUPPORT COVER
27	P22-041-0009	REGULATOR ASS'Y 30mbar
28	P22-101-0009	FRONT GRILLE
--	P22-514-0050	FAN SUPPORT RING (NOT SHOWN)
--	P22-516-0050	VALVE KNOB GASKET (NOT SHOWN)
--	P22-516-0055	VALVE KNOB SPRING (NOT SHOWN)

**NOTE:** It is our policy to continually improve products and as such we reserve the right to alter data, specifications and component parts without prior notice.

**IMPORTANT:** No liability is accepted for incorrect use of product.

**WARRANTY:** Guarantee is 12 months from purchase date, proof of which will be required for any claim.

Sealey Group, Kempson Way, Suffolk Business Park, Bury St Edmunds, Suffolk. IP32 7AR



01284 757500



01284 703534



sales@sealey.co.uk



www.sealey.co.uk