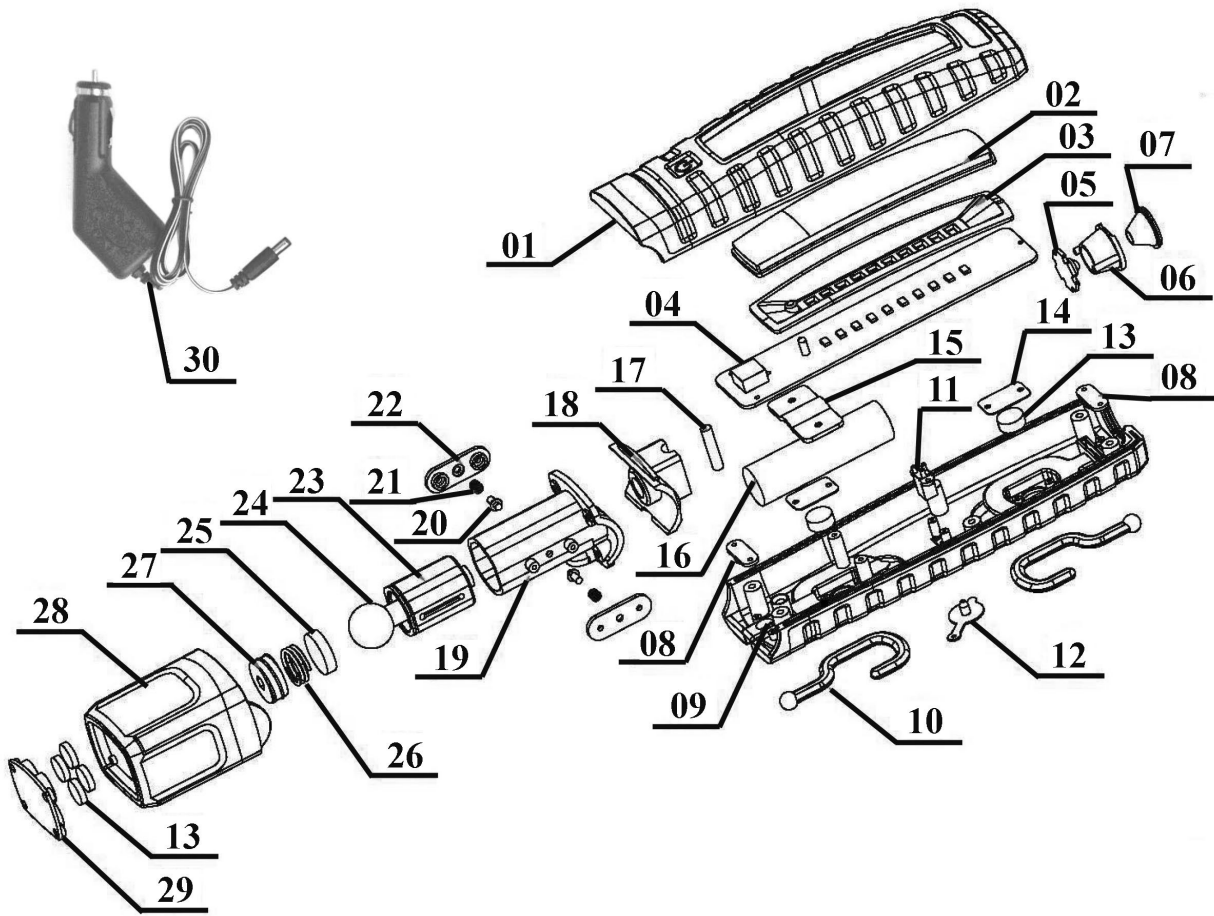


Parts Information:
Rechargeable 360° Inspection Lamp 10
SMD LED + 3W LED Black Lithium-ion
Model No: LED360



Item	Part No.	Description
1	LED360.01	FRONT HOUSING
2	LED360.02	FRONT LENS
3	LED360.03	CIRCUIT BOARD COVER
4	LED360.04	CIRCUIT BOARD
5	LED360.05	SMALL PCB (c/w 6 & 7)
6	LED360.06	PLASTIC SURROUND
7	LED360.07	LENS
8	LED360.08	HOOK SUPPORT
9	LED360.09	BACK HOUSING
10	LED360.10	TOP HOOK
11	LED360.11	CHARGING SOCKET
--	LED360.11A	CHARGING SOCKET HOLDER (NOT SHOWN)
--	AK3983.28	SELF TAPPING SCREW (M3x15) (NOT SHOWN)
--	CP1441.26	SCREW M3x16 (NOT SHOWN)
12	LED360.12	CHARGING SOCKET COVER
13	LED360.13	MAGNET
14	LED360.14	MAGNET SUPPORT

Item	Part No.	Description
15	LED360.15	BATTERY SUPPORT
16	LED360.16	BATTERY
17	LED360.17	PIN
18	LED360.18	FIXED SUPPORT
19	LED360.19	ROTATING SUPPORT (LOWER)
20	LED360.20	PIN
21	LED360.21	SPRING
22	LED360.22	ROTATING SUPPORT
23	LED360.23	ROTATING SUPPORT (UPPER)
24	LED360.24	ROTATING BALL
25	LED360.25	BALL SUPPORT (LOWER)
26	LED360.26	WAVEY SPRING
27	LED360.27	BALL SUPPORT (UPPER)
28	LED360.28	HANDLE
29	LED360.29	BOTTOM COVER
30	LED360.30	IN-CAR CHARGER
--	LED360.C	MAINS CHARGER 5V 500mA (NOT SHOWN)

NOTE: It is our policy to continually improve products and as such we reserve the right to alter data, specifications and component parts without prior notice.

IMPORTANT: No liability is accepted for incorrect use of product.

WARRANTY: Guarantee is 12 months from purchase date, proof of which will be required for any claim.