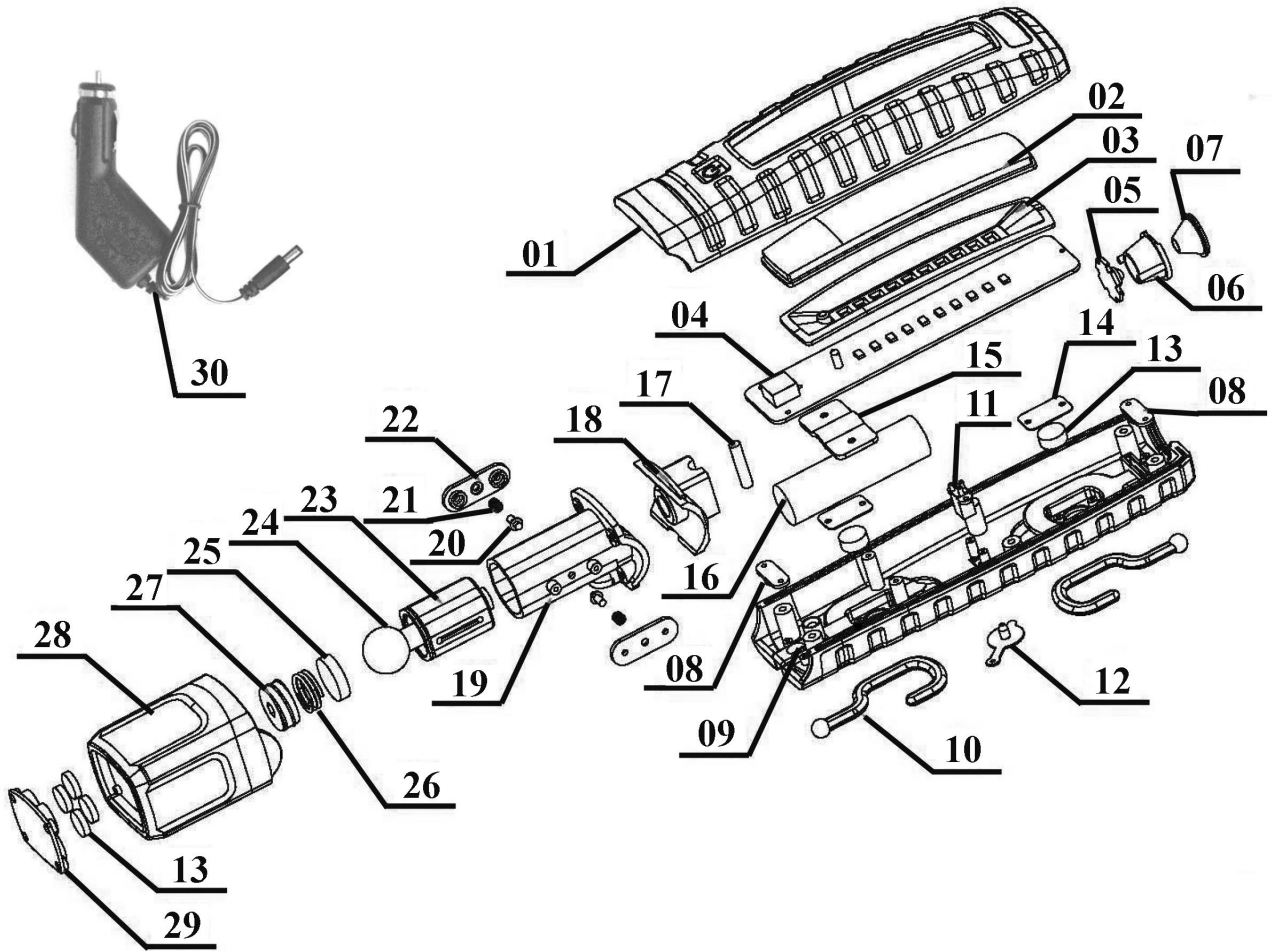


Parts Information:
Rechargeable 360° Inspection Lamp 10 SMD LED + 3W LED Green Lithium-ion
Model No: LED360G



| Item | Part No. | Description |
|------|------------|-----------------------|
| 1 | LED360G.01 | FRONT HOUSING (GREEN) |
| 2 | LED360.02 | FRONT LENS |
| 3 | LED360.03 | CIRCUIT BOARD COVER |
| 4 | LED360.04 | CIRCUIT BOARD |
| 5 | LED360.05 | SMALL PCB (c/w 6 & 7) |
| 6 | LED360.06 | PLASTIC SURROUND |
| 7 | LED360.07 | LENS |
| 8 | LED360.08 | HOOK SUPPORT |
| 9 | LED360G.09 | BACK HOUSING (GREEN) |
| 10 | LED360.10 | TOP HOOK |
| 11 | LED360.11 | CHARGING SOCKET |
| 12 | LED360.12 | CHARGING SOCKET COVER |
| 13 | LED360.13 | MAGNET |
| 14 | LED360.14 | MAGNET SUPPORT |
| 15 | LED360.15 | BATTERY SUPPORT |
| 16 | LED360.16 | BATTERY |

| Item | Part No. | Description |
|------|------------|------------------------------------|
| 17 | LED360.17 | PIN |
| 18 | LED360.18 | FIXED SUPPORT |
| 19 | LED360.19 | ROTATING SUPPORT (LOWER) |
| 20 | LED360.20 | PIN |
| 21 | LED360.21 | SPRING |
| 22 | LED360.22 | ROTATING SUPPORT |
| 23 | LED360.23 | ROTATING SUPPORT (UPPER) |
| 24 | LED360.24 | ROTATING BALL |
| 25 | LED360.25 | BALL SUPPORT (LOWER) |
| 26 | LED360.26 | WAVEY SPRING |
| 27 | LED360.27 | BALL SUPPORT (UPPER) |
| 28 | LED360G.28 | HANDLE (GREEN) |
| 29 | LED360.29 | BOTTOM COVER |
| 30 | LED360.30 | IN-CAR CHARGER |
| -- | LED360.C | MAINS CHARGER 5V 500mA (NOT SHOWN) |

NOTE: It is our policy to continually improve products and as such we reserve the right to alter data, specifications and component parts without prior notice.

IMPORTANT: No liability is accepted for incorrect use of product.

WARRANTY: Guarantee is 12 months from purchase date, proof of which will be required for any claim.