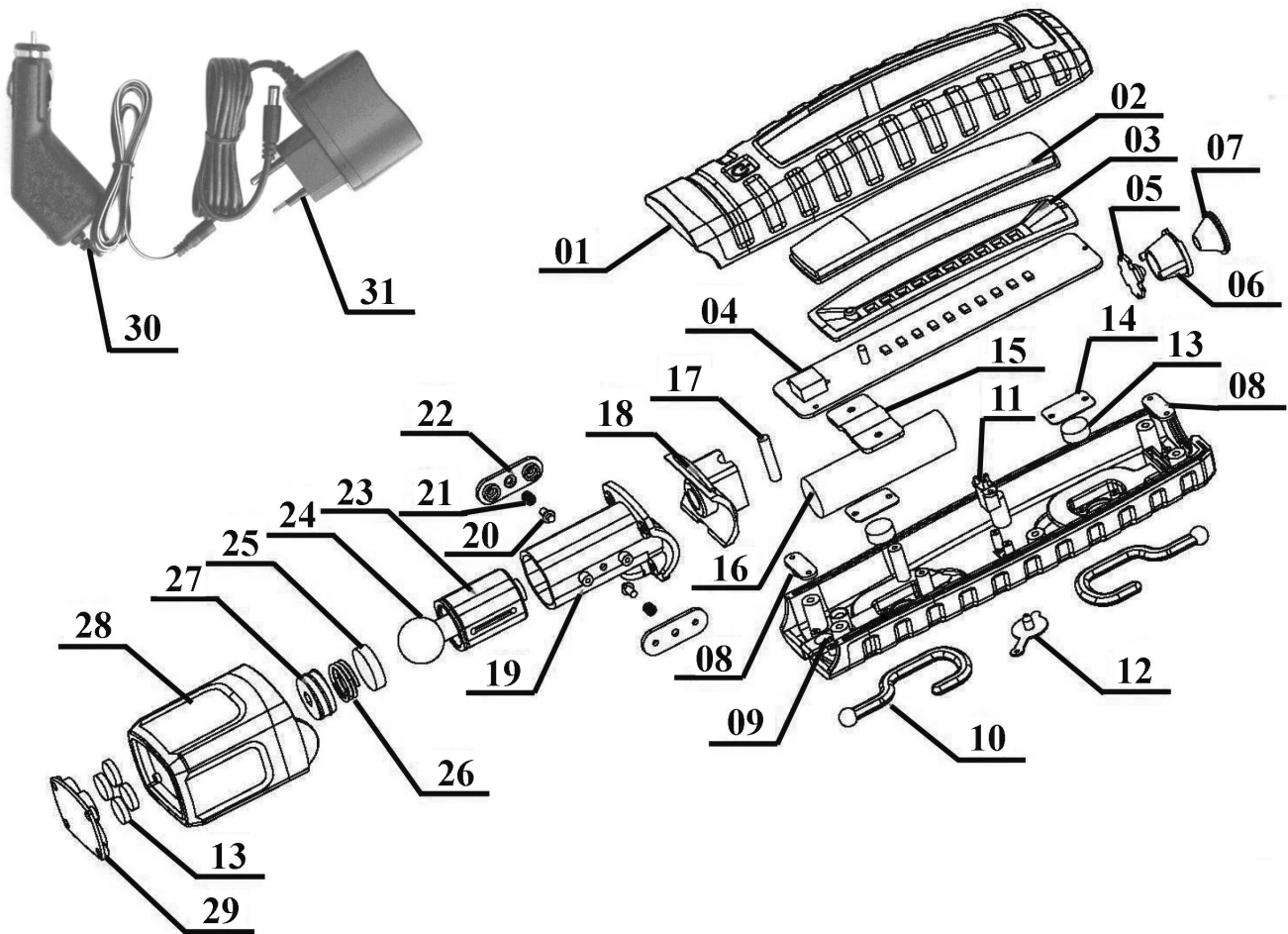




Parts Information:
Rechargeable 360° Inspection Lamp
10 SMD + 3W LED Green Lithium-ion -
Schuko Plug
Model No: LED360GEU



Item	Part No.	Description
1	LED360G.01	FRONT HOUSING (GREEN)
2	LED360.02	FRONT LENS
3	LED360.03	CIRCUIT BOARD COVER
4	LED360.04	CIRCUIT BOARD
5	LED360.05	SMALL PCB (c/w 6 & 7)
6	LED360.06	PLASTIC SURROUND
7	LED360.07	LENS
8	LED360.08	HOOK SUPPORT
9	LED360G.09	BACK HOUSING (GREEN)
10	LED360.10	TOP HOOK
11	LED360.11	CHARGING SOCKET
12	LED360.12	CHARGING SOCKET COVER
13	LED360.13	MAGNET
14	LED360.14	MAGNET SUPPORT
15	LED360.15	BATTERY SUPPORT
16	LED360.16	BATTERY

Item	Part No.	Description
17	LED360.17	PIN
18	LED360.18	FIXED SUPPORT
19	LED360.19	ROTATING SUPPORT (LOWER)
20	LED360.20	PIN
21	LED360.21	SPRING
22	LED360.22	ROTATING SUPPORT
23	LED360.23	ROTATING SUPPORT (UPPER)
24	LED360.24	ROTATING BALL
25	LED360.25	BALL SUPPORT (LOWER)
26	LED360.26	WAVEY SPRING
27	LED360.27	BALL SUPPORT (UPPER)
28	LED360G.28	HANDLE (GREEN)
29	LED360.29	BOTTOM COVER
30	LED360.30	IN-CAR CHARGER
31	LED360EU.C	MAINS CHARGER (EURO TYPE)

NOTE: It is our policy to continually improve products and as such we reserve the right to alter data, specifications and component parts without prior notice.

IMPORTANT: No liability is accepted for incorrect use of product.

WARRANTY: Guarantee is 12 months from purchase date, proof of which will be required for any claim.

Sealey Group, Kempson Way, Suffolk Business Park, Bury St Edmunds, Suffolk. IP32 7AR



01284 757500



01284 703534



sales@sealey.co.uk



www.sealey.co.uk