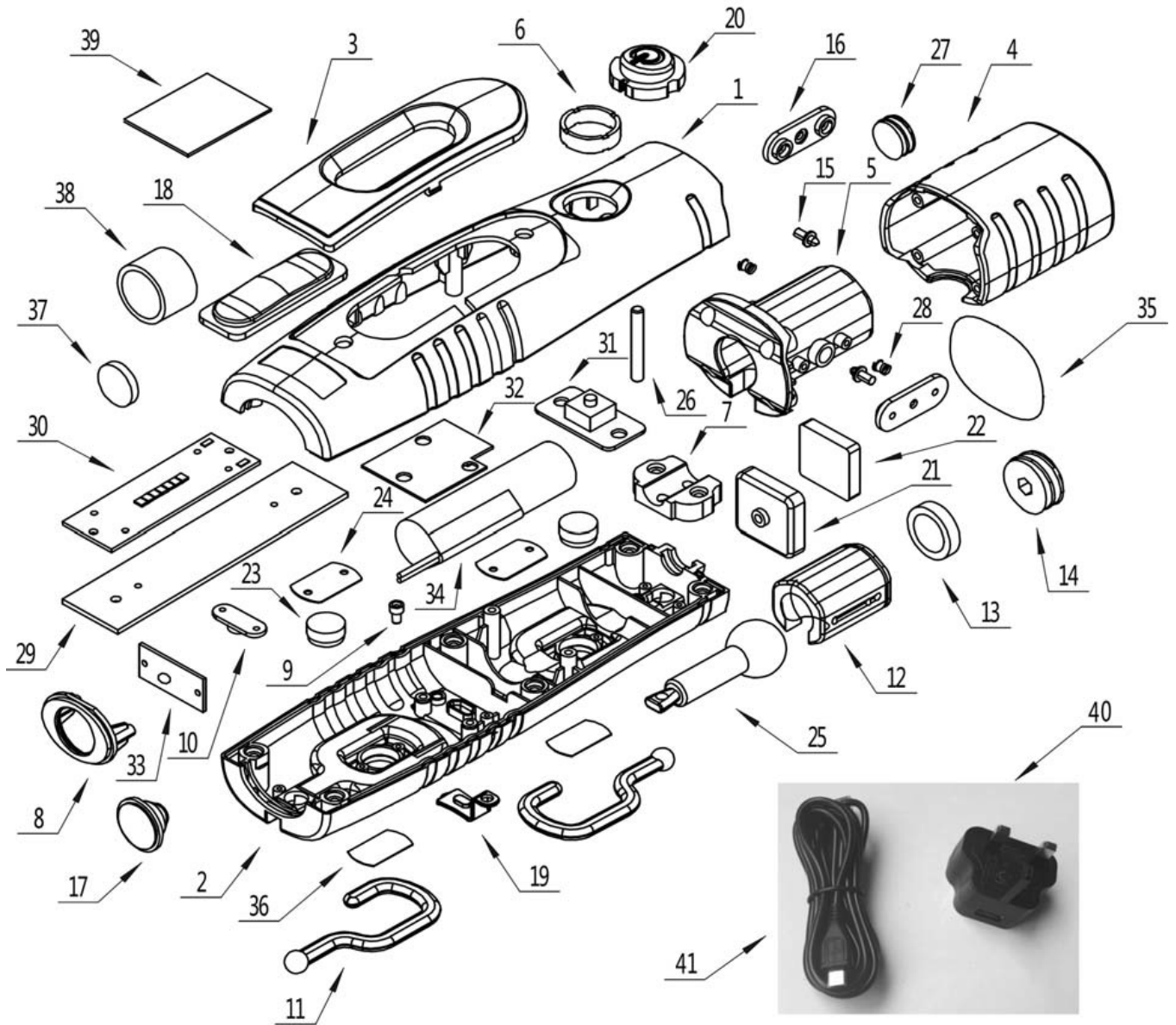




Parts Information:  
Rechargeable 360° Inspection Lamp 7  
SMD + 3W LED Green Lithium-ion  
Model No: LED3602G



**NOTE:** It is our policy to continually improve products and as such we reserve the right to alter data, specifications and component parts without prior notice.

**IMPORTANT:** No liability is accepted for incorrect use of product.

**WARRANTY:** Guarantee is 12 months from purchase date, proof of which will be required for any claim.

Sealey Group, Kempson Way, Suffolk Business Park, Bury St Edmunds, Suffolk. IP32 7AR



01284 757500



01284 703534



sales@sealey.co.uk



www.sealey.co.uk



Parts Information:  
**Rechargeable 360° Inspection Lamp 7  
SMD + 3W LED Green Lithium-ion  
Model No: LED3602G**

Item	Part No.	Description
1	LED3602G.01	FRONT HOUSING 'GREEN'
2	LED3602G.02	BACK HOUSING 'GREEN'
3	LED3602G.03	COVER FOR FRONT HOUSING 'SILVER'
4	LED3602G.04	HANDLE 'GREEN'
5	LED3602G.05	PIVOT BOX (LARGE)
6	LED3602G.06	SWITCH CAP SUPPORT
7	LED3602G.07	BALL ARM PLATE
8	LED3602G.08	HEAD LENS COVER
9	LED3602G.09	CHARGING INDICATOR CAP
10	LED3602G.10	HOOK PLATE
11	LED3602G.11	HOOK
12	LED3602G.12	ROTATING SUPPORT (SMALL)
13	LED3602G.13	PIVOT PROTECTION RING
14	LED3602G.14	PIVOT PROTECTION RING
15	LED3602G.15	ROTATING SUPPORT PIN
16	LED3602G.16	ROTATING SUPPORT BAR
17	LED3602G.17	HEAD LED LENS
18	LED3602G.18	SMD LENS
19	LED3602G.19	CHARGING SOCKET COVER
20	LED3602G.20	SWITCH CAP
21	LED3602G.22	BOTTOM MAGNET(C/W MAGNET HOUSING)

Item	Part No.	Description
22	LED3602G.22	BOTTOM MAGNET(C/W MAGNET HOUSING)
23	LED3602G.23	HOUSING MAGNET
24	LED3602G.24	MAGNET COVER
25	LED3602G.25	PIVOT
26	LED3602G.26	SWITCH BUTTON SUPPORT
27	LED3602G.27	WAVE SPRING
28	LED3602G.28	SPRING
29	LED3602G.29	PCB SUPPORT PLATE
30	LED3602G.30	75SMD PCB
31	LED3602G.31	SWITCH BUTTON
32	LED3602G.32	PCB
33	LED3602G.33	HEAD LED PCB
34	LED3602G.34	BATTERY
35	LED3602G.35	STICKER
36	LED3602G.36	STICKER
37	LED3602G.37	BATTERY PROTECTION FOAM
38	LED3602G.38	BATTERY PROTECTION FOAM
39	LED3602G.39	FOAM
40	LED360USB.C	USB MAINS CHARGER ONLY
41	LED3602G.41	MICRO USB WITH 5PIN CABLE

**NOTE:** It is our policy to continually improve products and as such we reserve the right to alter data, specifications and component parts without prior notice.

**IMPORTANT:** No liability is accepted for incorrect use of product.

**WARRANTY:** Guarantee is 12 months from purchase date, proof of which will be required for any claim.

**Sealey Group**, Kempson Way, Suffolk Business Park, Bury St Edmunds, Suffolk. IP32 7AR



01284 757500



01284 703534



sales@sealey.co.uk



www.sealey.co.uk