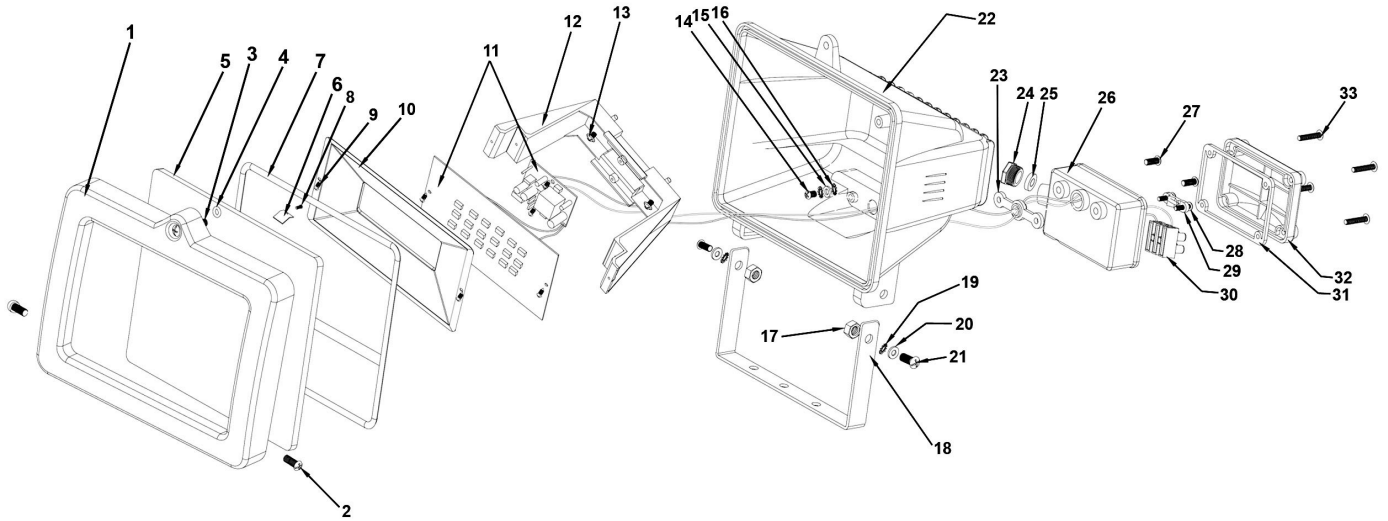




Parts Information:  
**Floodlight with Wall Bracket 18 SMD LED  
 230V**  
**Model No: LED130.V3**



Item	Part No.	Description
1	LED130.V3-01	FRONT FRAME
2	LED130.V3-02	SCREW M4x10
3	LED130.V3-03	SCREW M5x18
4	LED130.V3-04	O-RING
5	LED130T.05	GLASS (177x143mm)
6	LED130.V3-06	GLASS CLIP
7	LED130.V3-07	GASKET
8	LED130.V3-08	SCREW M3x8
9	LED130.V3-09	SCREW M3x8
10	LED130.V3-10	REFLECTOR
11	LED130.V3-11	LED POWER ASSEMBLY (18x0.5W)
12	LED130.V3-12	LED MOUNTING BRACKET
13	LED130.V3-13	WASHER
14	LED130.V3-14	SCREW M4x6
15	LED130.V3-15	EARTH WIRE 0.75mm (120mm long)
16	LED130.V3-16	TOOTHED WASHER M4
17	LED130.V3-17	SCREW M6

Item	Part No.	Description
18	LED130.V3-18	BRACKET
19	LED130.V3-19	TOOTHED WASHER M6
20	LED130.V3-20	WASHER M6
21	LED130.V3-21	SCREW M6x14
22	LED130.V3-22	LAMP BODY
23	LED130.V3-23	TERMINAL STRIP
24	LED130.V3-24	CABLE SLEEVE
25	LED130.V3-25	GROMMET
26	LED130.V3-26	TERMINAL BOX
27	LED130.V3-27	SCREW M4x10
28	LED130.V3-28	SCREW 3.5x12
29	LED130.V3-29	CABLE CLAMP
30	LED130.V3-30	TERMINAL BLOCK
31	LED130.V3-31	TERMINAL BOX SEAL
32	LED130.V3-32	TERMINAL BOX COVER
33	LED130.V3-33	SCREW 3.5x18

**NOTE:** It is our policy to continually improve products and as such we reserve the right to alter data, specifications and component parts without prior notice.

**IMPORTANT:** No liability is accepted for incorrect use of product.

**WARRANTY:** Guarantee is 12 months from purchase date, proof of which will be required for any claim.

**Sealey Group**, Kempson Way, Suffolk Business Park, Bury St Edmunds, Suffolk. IP32 7AR



01284 757500



01284 703534



sales@sealey.co.uk



www.sealey.co.uk