

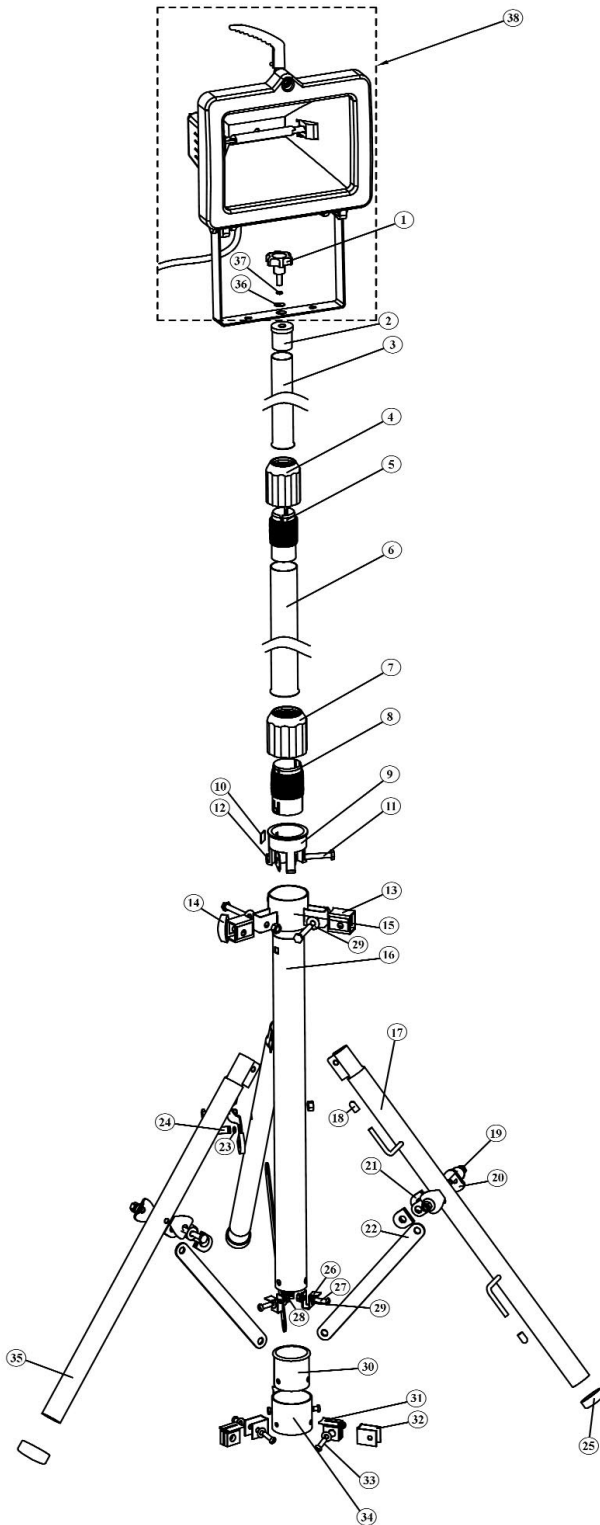
Item	Part No.	Description
1	LED130T.01	500W FRAME
2	LED130T.02	SCREW (M4*10)
3	LED130T.03	SCREW (M5*25)
4	LED130T.04	O-RING
5	LED130T.05	GLASS (177x143mm)
6	LED130T.06	GLASS CLIP
7	LED130T.07	SEAL (L=59cm)
8	LED130T.08	LED WITH STARTER
9	LED130T.09	PLASTIC TRIPOD
10	LED130T.10	SCREW
11	LED130T.11	SCREW (M4*6)
12	LED130T.12	EARTH WIRE 0.75mm (L=12cm)
13	LED130T.13	TOOTH WASHER
14	LED130T.14	SCREW (M6)
15	LED130T.15	FIXED FRAME
16	SWM6.S	SPRING WASHER M6 ZINC (SINGLE)
17	LS1050V.27	WASHER M6

Item	Part No.	Description
18	LED130T.18	SCREW (M6*14)
19	LED130T.19	SMALL HANDLE
20	LED130T.20	SCREW (M5)
21	LED130T.21	500W BODY (36mm)
22	LED130T.22	PLUG c/w LEAD
23	LED130T.23	WIRE STRIP
24	LED130T.24	SCREW
--	LED130T.24A	RING
25	LED130T.25	CONNECT BOX
26	LED130T.26	SCREW (M4*10)
27	LED130T.27	SCREW (3.5mm*12)
28	LED130T.28	WIRE BOARD
29	LED130T.29	TERMINAL BLOCK (1.0-2.5mm <sup>2</sup> PA)
30	LED130T.30	COVER RING
31	LED130T.31	CONNECT BOX COVER
32	LED130T.32	SCREW(3.5mm*18)

**NOTE:** It is our policy to continually improve products and as such we reserve the right to alter data, specifications and component parts without prior notice.

**IMPORTANT:** No liability is accepted for incorrect use of product.

**WARRANTY:** Guarantee is 12 months from purchase date, proof of which will be required for any claim.



**NOTE:** It is our policy to continually improve products and as such we reserve the right to alter data, specifications and component parts without prior notice.

**IMPORTANT:** No liability is accepted for incorrect use of product.

**WARRANTY:** Guarantee is 12 months from purchase date, proof of which will be required for any claim.



Parts Information:  
**Telescopic Floodlight 18 SMD LED 230V**  
**Model No: LED130T**

Item	Part No.	Description
1	LED130T.S01	THREAD SCREW
2	LED130T.S02	INSERT
3	LED130T.S03	UPPER TUBE (SMALL)
4	LED130T.S04	UPPER TUBE COVER (SMALL)
5	LED130T.S05	JOINT (SMALL)
6	LED130T.S06	TUBE (MIDDLE)
7	LED130T.S07	TUBE COVER GRIP (LARGE)
8	ML1000D.V3-52	BIG CONNECTOR
9	LED130T.S09	CENTRE SUPPORT
10	LED130T.S10	INSERT
11	LED130T.S11	SCREW
12	LED130T.S12	SCREW
13	LED130T.S13	PLASTIC COVER (A)
14	LED130T.S14	SCREW
15	LED130T.S15	FOOT TUBE BODY
16	LED130T.S16	TUBE (BIG)
17	LED130T.S17	LEG (A)
18	LED130T.S18	COVER, INSERT
19	LED130T.S19	SCREW

Item	Part No.	Description
20	LED130T.S20	FIXED SUPPORT
21	LED130T.S21	FIXED COVER
22	LED130T.S22	LEG BRACE
23	LED130T.S23	WASHER
24	LED130T.S24	LEG INSERT
25	LED130T.S25	RUBBER FOOT
26	LED130T.S26	CONNECTING STRIP (A)
27	LED130T.S27	SCREW
28	LED130T.S28	SCREW
29	LED130T.S29	WASHER
30	LED130T.S30	END SUPPORT
31	LED130T.S31	PLASTIC COVER
32	LED130T.S32	CONNECTING STRIP (B)
33	LED130T.S33	SCREW
34	LED130T.S34	TUBE
35	LED130T.S35	LEG (B)
36	LED130T.S36	WASHER
37	LED130T.S37	WASHER
38	LED130T.S38	HEAD, COMPLETE

**NOTE:** It is our policy to continually improve products and as such we reserve the right to alter data, specifications and component parts without prior notice.

**IMPORTANT:** No liability is accepted for incorrect use of product.

**WARRANTY:** Guarantee is 12 months from purchase date, proof of which will be required for any claim.

**Sealey Group**, Kempson Way, Suffolk Business Park, Bury St Edmunds, Suffolk. IP32 7AR



01284 757500



01284 703534



sales@sealey.co.uk



www.sealey.co.uk