

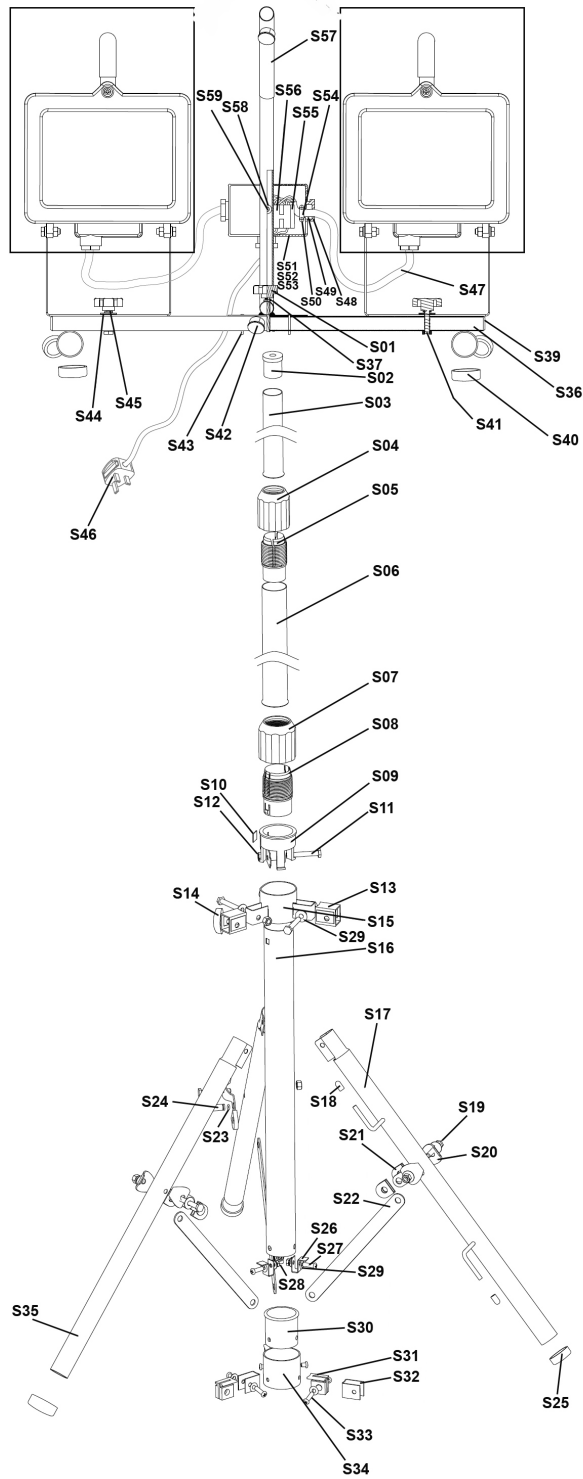
Item	Part No.	Description
1	LED130.V3-01	FRONT FRAME
2	LED130.V3-02	SCREW M4x10
3	LED130110T.03	SCREW M5x25
4	LED130.V3-04	O-RING
5	LED130T.05	GLASS (177x143mm)
6	LED130.V3-06	GLASS CLIP
7	LED130.V3-07	GASKET
8	LED130.V3-08	SCREW M3x8
9	LED130.V3-09	SCREW M3x8
10	LED130.V3-10	REFLECTOR
11	LED130110TD1	1 LED POWER ASSEMBLY
12	LED130.V3-12	LED MOUNTING BRACKET
13	LED130.V3-13	WASHER
14	LED130.V3-14	SCREW M4x6
15	LED130.V3-15	EARTH WIRE 0.75mm (120mm long)
16	LED130.V3-16	TOOTHED WASHER M4
17	LED130.V3-17	SCREW M6
18	LED130.V3-18	BRACKET

Item	Part No.	Description
19	LED130.V3-20	WASHER M6
20	LED130110P.2	1 SPRING WASHER
21	LED130110P.2	4 SCREW M6x14
22	LED130110T.22	SMALL HANDLE
23	LED130110T.23	SCREW M5x25
24	LED130110P.35	LAMP BODY
25	LED130.V3-23	TERMINAL STRIP
26	LED130.V3-24	CABLE SLEEVE
27	LED130.V3-25	GROMMET
28	LED130.V3-26	TERMINAL BOX
29	LED130.V3-27	SCREW M4x10
30	LED130.V3-28	SCREW 3.5x12
31	LED130.V3-29	CABLE CLAMP
32	LED130.V3-30	TERMINAL BLOCK
33	LED130.V3-31	TERMINAL BOX SEAL
34	LED130.V3-32	TERMINAL BOX COVER
35	LED130.V3-33	SCREW 3.5x18

NOTE: It is our policy to continually improve products and as such we reserve the right to alter data, specifications and component parts without prior notice.

IMPORTANT: No liability is accepted for incorrect use of product.

WARRANTY: Guarantee is 12 months from purchase date, proof of which will be required for any claim.



NOTE: It is our policy to continually improve products and as such we reserve the right to alter data, specifications and component parts without prior notice.

IMPORTANT: No liability is accepted for incorrect use of product.

WARRANTY: Guarantee is 12 months from purchase date, proof of which will be required for any claim.



Parts Information:
Telescopic Floodlight 2 x 18 SMD LED 110V
Model No: LED130110TD.V2

Item	Part No.	Description
S01	LED130110.S01	SCREW
S02	LED130110TS02	PLUG
S03	LED130110TS03	SMALL TUBE
S04	LED130110TS04	SMALL COVER
S05	LED130110TS05	SMALL JOINT
S06	LED130110TS06	MIDDLE TUBE
S07	LED130110TS07	LARGE COVER
S08	LED130110TS08	LARGE JOINT
S09	LED130110TS09	FIXING RING
S10	LED130110TS10	SPACER
S11	LED130110TS11	SCREW
S12	LED130110TS12	SCREW
S13	LED130110TS13	PLASTIC COVER
S14	LED130110P.29	KNOB
S15	LED130110TS15	LEG BRACKET
S16	LED130110TS16	LARGE TUBE
S17	LED130110.S17	FOOT TUBE
S18	LED130110TS18	BRACKET COVER
S19	LED130110TS19	SCREW
S20	LED130110TS20	FIXED BRACKET
S21	LED130110TS21	FIXED COVER
S22	LED130110TS22	METAL LEG BRACKET
S23	LED130110TS23	WASHER
S24	LED130110TS24	BRACKET
S25	LED130110TS25	FOOT
S26	LED130110TS26	CONNECTING STRIP
S27	LED130.V3-03	SCREW M5x18
S28	LED130110TS28	SCREW
S29	LED130.V3-20	WASHER M6

Item	Part No.	Description
S30	LED130110TS30	RING
S31	LED130110TS31	PLASTIC COVER
S32	LED130110TS32	CONNECTING STRIP
S33	LED130.V3-03	SCREW M5x18
S34	LED130110TS34	BOTTOM TUBE
S35	LED130110TS35	LEG
S36	LED130110.S36	METAL BRACKET
S37	LED130110.S37	SPACER
S39	LED130110.S39	BUNG
S40	LED130110.S40	COVER
S41	LED130110.S41	SCREW(M5X30)
S42	LED130110.S42	BUNG
S43	LED130110.S43	SCREW(M5X55)
S44	LED130.V3-20	WASHER M6
S45	SWM6.S	SPRING WASHER M6 ZINC (SINGLE)
S46	LED130110T.25	CABLE WITH PLUG 110V
S47	LED130110.S47	CABLE 3M 110V
S48	LED130110.S48	CABLE GLAND
S49	LED130110.S49	GROMMET
S50	LED130110.S50	SCREW
S51	LED130110.S51	TERMINAL BOX
S52	LED130110.S52	TERMINAL BOX COVER
S53	LED130110.S53	TERMINAL BOX GASKET
S54	LED130110.S54	CABLE CLAMP
S55	LED130110.S55	RED PAPER
S56	LED130110.S56	TERMINAL BLOCK
S57	LED130110.S57	HANDLE
S58	LED130110.S58	SPACER
S59	LED130110.S59	SCREW

NOTE: It is our policy to continually improve products and as such we reserve the right to alter data, specifications and component parts without prior notice.

IMPORTANT: No liability is accepted for incorrect use of product.

WARRANTY: Guarantee is 12 months from purchase date, proof of which will be required for any claim.

Sealey Group, Kempson Way, Suffolk Business Park, Bury St Edmunds, Suffolk. IP32 7AR



01284 757500



01284 703534



sales@sealey.co.uk



www.sealey.co.uk