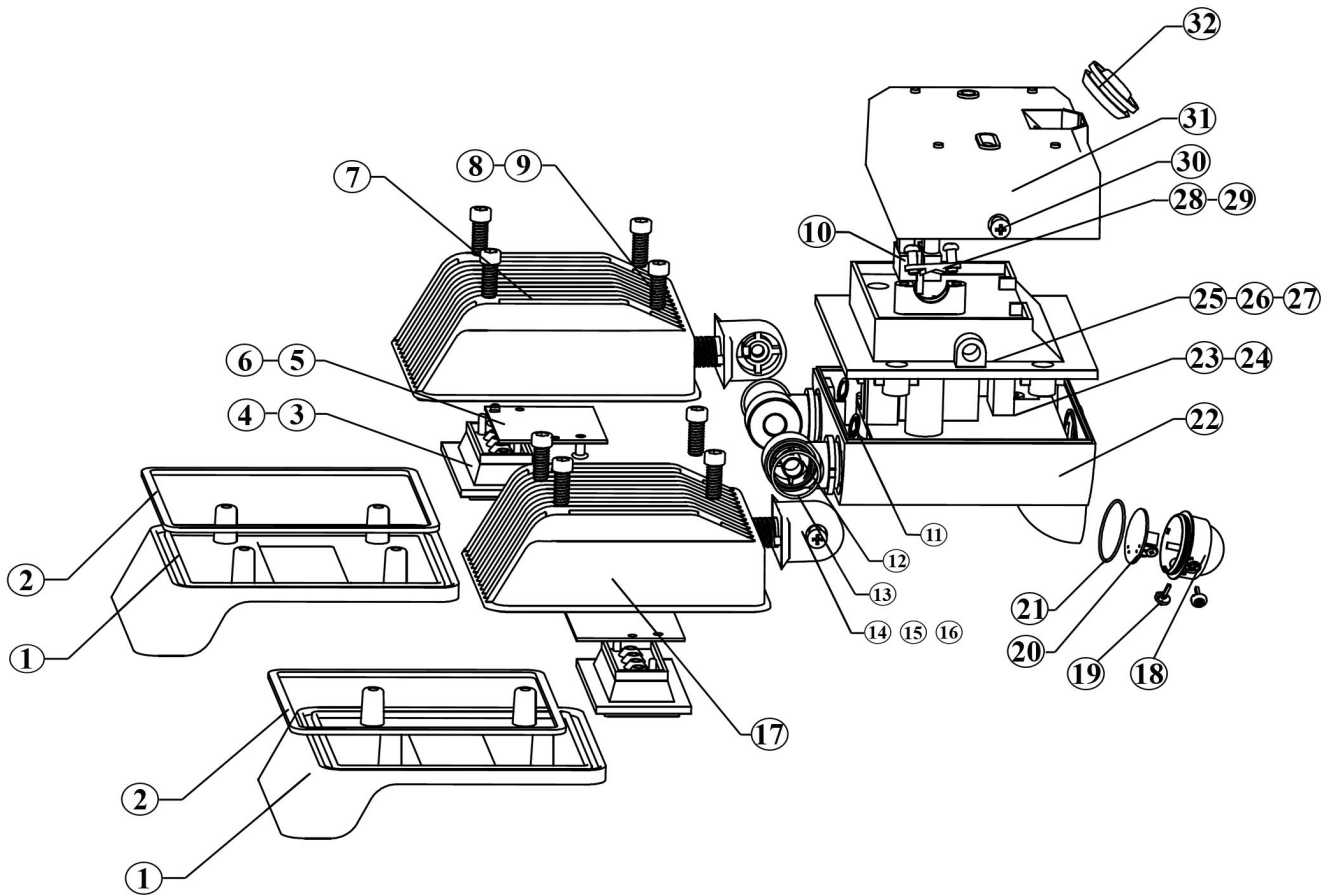


Parts Information:
**Floodlight with 2 x Swivel Head, Wall
 Bracket & PIR Sensor 20W LED 230V
 Model No: LED046S**



Item	Part No.	Description
1	LED046S.01	FRAME
2	LED046S.02	SEAL GASKET
3	LED046S.03	LENS
4	LED046S.04	SEALING RING
5	LED046S.05	LED ASS'Y
6	LED046S.06	SCREW
7	LED046S.07	LAMP BODY (LEFT)
8	LED046S.08	SCREW
9	LED046S.09	O-RING
10	LED046S.10	TERMINAL BLOCK
11	LED046S.11	CIRCLIP
12	LED046S.12	SHAFT
13	LED046S.13	SEALING RING
14	LED046S.14	CONNECTING SHAFT
15	LED046S.15	SCREW
16	LED046S.16	SCREW

Item	Part No.	Description
17	LED046S.17	LAMP BODY (RIGHT)
18	LED046S.20	CIRCUIT BOARD ASS'Y (c/w LENS)
19	LED046S.19	KNOB
20	LED046S.20	CIRCUIT BOARD ASS'Y (c/w LENS)
21	LED046S.21	SEALING RING
22	LED046S.22	BASE
23	LED046S.23	PCB
24	LED046S.24	SCREW
25	LED046S.25	COVER BOARD
26	LED046S.26	SEALING RING
27	LED046S.27	SCREW
28	LED046S.28	CABLE GRIP
29	LED046S.29	SCREW
30	LED046S.30	SCREW
31	LED046S.31	BACK COVER
32	LED046S.32	WIRE GRIP

NOTE: It is our policy to continually improve products and as such we reserve the right to alter data, specifications and component parts without prior notice.

IMPORTANT: No liability is accepted for incorrect use of product.

WARRANTY: Guarantee is 12 months from purchase date, proof of which will be required for any claim.