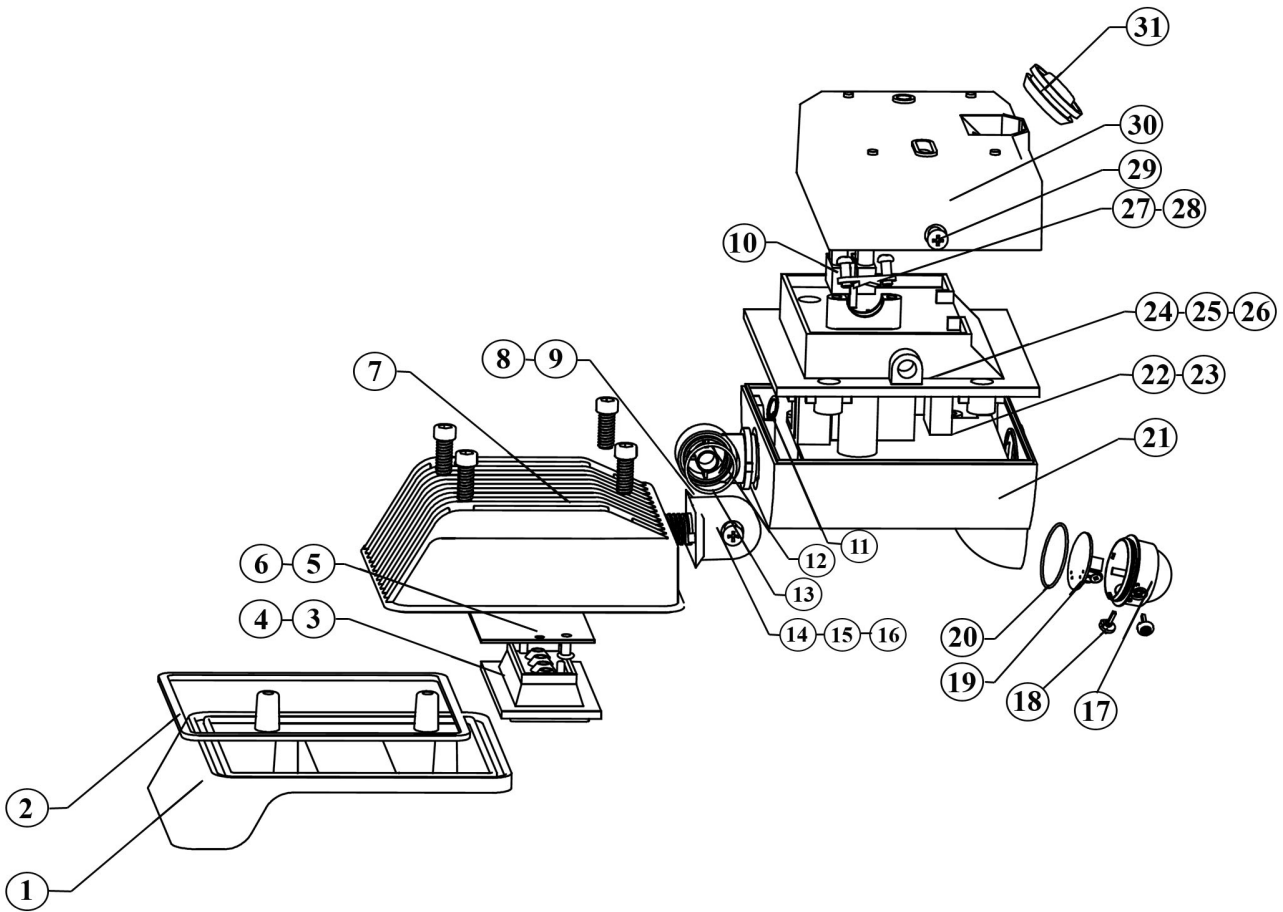




Parts Information:
**Floodlight with Swivel Head, Wall Bracket
 & PIR Sensor 10W LED 230V**
Model No: LED045S



Item	Part No.	Description
1	LED046S.01	FRAME
2	LED046S.02	SEAL GASKET
3	LED046S.03	LENS
4	LED046S.04	SEALING RING
5	LED046S.05	LED ASS'Y
6	LED046S.06	SCREW
7	LED045S.07	LAMP BODY
8	LED046S.08	SCREW
9	LED046S.09	O-RING
10	LED046S.10	TERMINAL BLOCK
11	LED046S.11	CIRCLIP
12	LED046S.12	SHAFT
13	LED046S.13	SEALING RING
14	LED046S.14	CONNECTING SHAFT
15	LED046S.15	SCREW
16	LED046S.16	SCREW

Item	Part No.	Description
17	LED046S.20	CIRCUIT BOARD ASS'Y (c/w LENS)
18	LED046S.19	KNOB
19	LED046S.20	CIRCUIT BOARD ASS'Y (c/w LENS)
20	LED046S.21	SEALING RING
21	LED045S.21	BASE
22	LED045S.22	PCB
23	LED046S.24	SCREW
24	LED046S.25	COVER BOARD
25	LED046S.26	SEALING RING
26	LED046S.27	SCREW
27	LED046S.28	CABLE GRIP
28	LED046S.29	SCREW
29	LED046S.30	SCREW
30	LED046S.31	BACK COVER
31	LED046S.32	WIRE GRIP

NOTE: It is our policy to continually improve products and as such we reserve the right to alter data, specifications and component parts without prior notice.

IMPORTANT: No liability is accepted for incorrect use of product.

WARRANTY: Guarantee is 12 months from purchase date, proof of which will be required for any claim.

Sealey Group, Kempson Way, Suffolk Business Park, Bury St Edmunds, Suffolk. IP32 7AR



01284 757500



01284 703534



sales@sealey.co.uk



www.sealey.co.uk