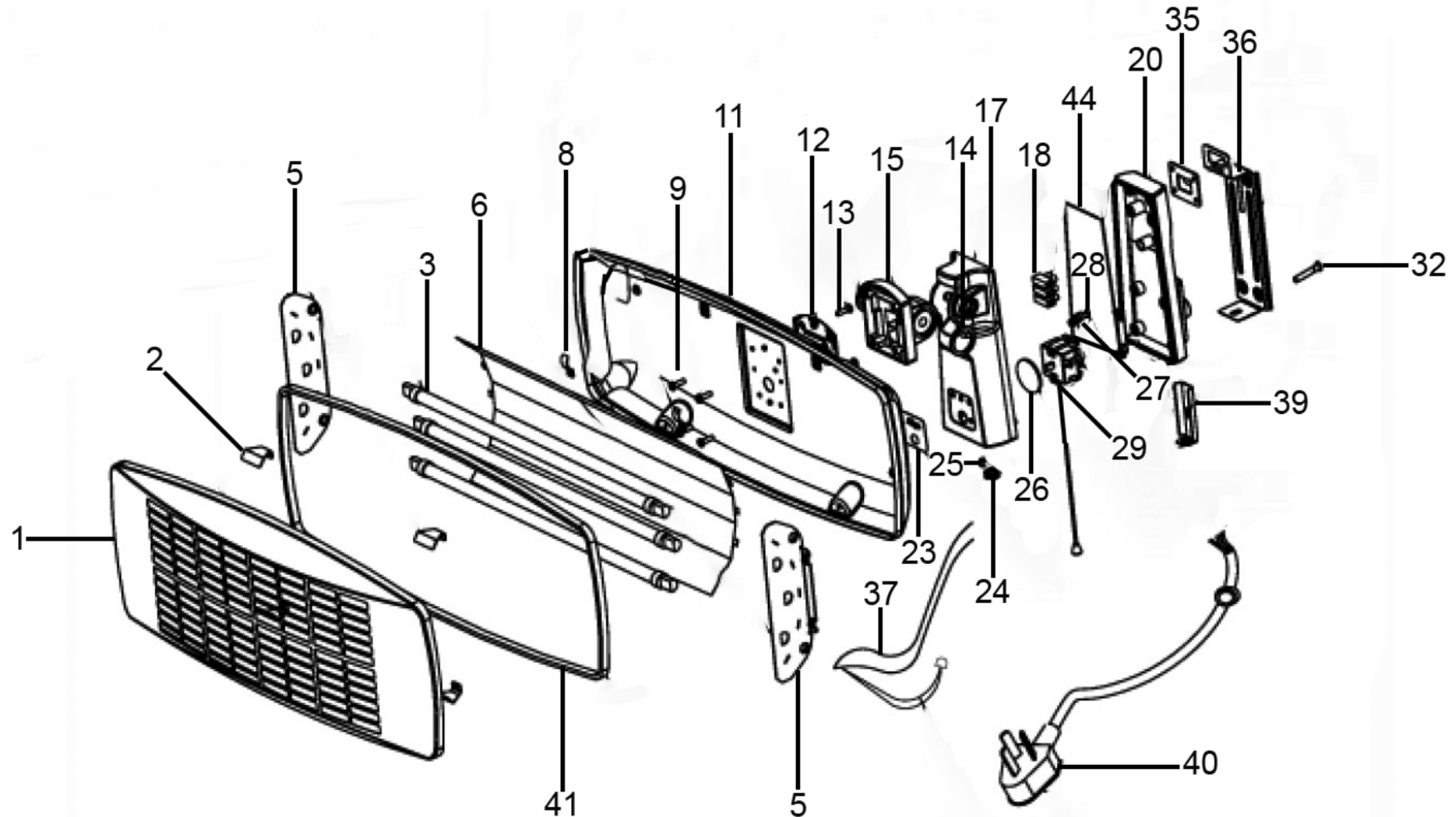




Parts Information:
Infrared Quartz Heater - Wall Mounting 2000W/230V
Model No: IWMH2003.V2



NOTE: It is our policy to continually improve products and as such we reserve the right to alter data, specifications and component parts without prior notice.

There may be alternative versions of this product, please contact us should you require this information.

IMPORTANT: No liability is accepted for incorrect use of product. Spare parts must be fitted by a competent person

WARRANTY: Guarantee is 12 months from purchase date, proof of which will be required for any claim.

Sealey Group, Kempson Way, Suffolk Business Park, Bury St Edmunds, Suffolk. IP32 7AR



01284 757500



01284 703534



sales@sealey.co.uk



www.sealey.co.uk



Parts Information:
Infrared Quartz Heater - Wall Mounting
2000W/230V
Model No: IWMH2003.V2

Item	Part No.	Description
1	IWMH2003.01	Front Housing
2	IWMH2003.02	Clip, Front Housing
3	IWMH2003.03	Heating Element
5	IWMH2003.05	Reflector Bracket
6	IWMH2003.06	Reflector
8	IWMH2003.08	Clamp, Internal Wire
9	IWMH1809R.42	Rd Head S/T Screw M3.8 x 10mm
11	IWMH2003.11	Rear Housing
12	IWMH2003.12	Hinge Cover
13	IWMH2003.13	Rd Head S/T Screw M3.9 x 10mm
14	IWMH2003.14	Seal, Hinge
15	IWMH2003.15	Hinge
17	IWMH2003.17	Control Box
18	IWMH2003.18	Terminal Block
20	IWMH2003.20	Cover, Control Box
23	IWMH2003.23	Sticker
24	IWMH2003.24	Cord Bush
25	IWMH2003.25	String Bush
26	IWMH2003.26	Round Plate
27	IWMH2003.27	Cord Clamp
28	SM31.V3-21	Rd Head S/T Screw M3.8 x 12mm (B)
29	IWMH2003.29	Switch, Power (c/w Bracket)
32	MSP615.S	Machine Screw Pan Head Phillips M6 x 15mm
35	IWMH2003.35	Hook

Item	Part No.	Description
36	IWMH2003.36	Wall Mounting Bracket
37	IWMH2003.37	Internal Wire Assembly
39	IWMH2003.39	Board
40	MC3CX1.5R	Mains Cable
41	IWMH2003.41	Seal Ring
44	IWMH2003.44	Seal Ring, Control Box
--	IWMH2003.04	Screw (Not Shown)
--	SN4.S	Steel Nut M4 (Not Shown)
--	IWMH1809R.01	Rd Head S/T Screw M3 x 10mm, Security (Not Shown)
--	MSP838.S	Machine Screw Pan Head Phillips M8 x 38mm (Not Shown)
--	IWMH2003.19	Screw (Not Shown)
--	IWMH2003.21	Nut (Not Shown)
--	IWMH2003.22	Screw (Not Shown)
--	IWMH2003.31	Rd Head S/T Screw M3.8 x 28mm (Not Shown)
--	IWMH2003.33	Rd Head S/T Screw M3.9 x 10mm, Security (Not Shown)
--	SG115.V2-39	Rd Head S/T Screw M2.9 x 8mm (Not Shown)
--	IWMH2003.38	Screw (Not Shown)
--	MSP410.S	Machine Screw Pan Head Phillips M4 x 10mm (Not Shown)
--	TS10SEW.121	Ext Tooth Washer M4 (Not Shown)
--	IWMH2003.45	Rubber Tube (Not Shown)

NOTE: It is our policy to continually improve products and as such we reserve the right to alter data, specifications and component parts without prior notice. There may be alternative versions of this product, please contact us should you require this information.

IMPORTANT: No liability is accepted for incorrect use of product. Spare parts must be fitted by a competent person

WARRANTY: Guarantee is 12 months from purchase date, proof of which will be required for any claim.

Sealey Group, Kempson Way, Suffolk Business Park, Bury St Edmunds, Suffolk. IP32 7AR



01284 757500



01284 703534



sales@sealey.co.uk



www.sealey.co.uk