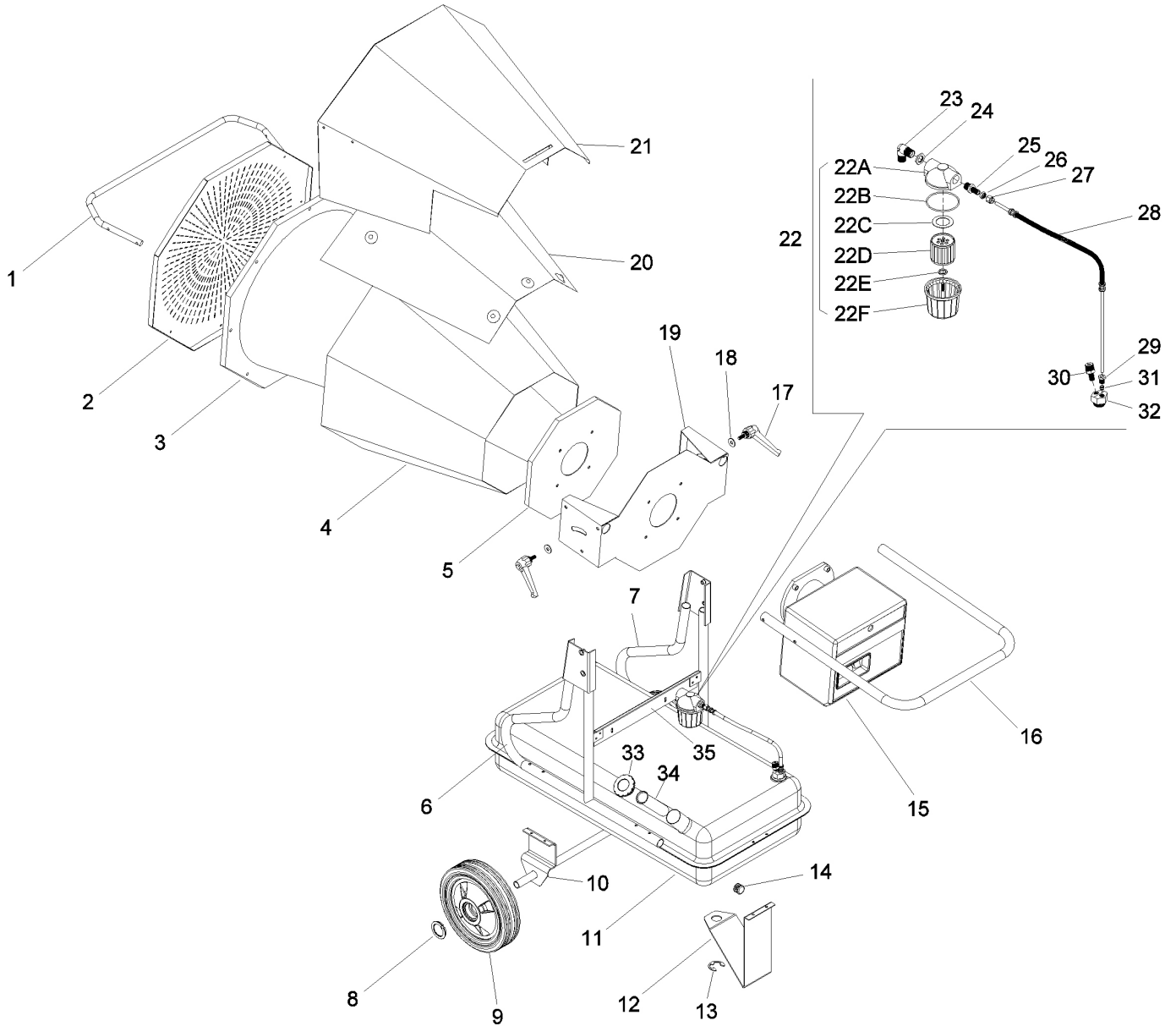




Parts Information:
Infrared Diesel Heater 33kW 230V
Model No: IR33



NOTE: It is our policy to continually improve products and as such we reserve the right to alter data, specifications and component parts without prior notice.

IMPORTANT: No liability is accepted for incorrect use of product.

WARRANTY: Guarantee is 12 months from purchase date, proof of which will be required for any claim.

Sealey Group, Kempson Way, Suffolk Business Park, Bury St Edmunds, Suffolk. IP32 7AR



01284 757500



01284 703534



sales@sealey.co.uk



www.sealey.co.uk



Parts Information:
Infrared Diesel Heater 33kW 230V
Model No: IR33

Item	Part No.	Description
1	SLIK00011776	Front bar
2	SLIK00001510	Radiant guard
3	SLIK00011778	Insulating cone
4	SLIK00002049	Inner housing
5	SLIK00001008	Cover
6	SL1095010005	Right frame
7	SL1095010105	Left frame
8	SL1005000400	Wheel cap
9	SL1004000419	Wheel, 250x77x20mm
10	SL1094095700	Axle
11	SL1094002600	Tank foot
12	SL1023001500	Spring
13	SL1005001900	Handle cap
14	SL5117004137	Oil burner
15	SL1095009905	Handle
16	SL1001016805	Lever
17	SL1018000200	Washer
18	SLIK00002051	Fixing plate
19	SLIK00002057	Chamber shield
20	SLIK00002058	Outer housing
22	SL20190001	Oil filter
22A	SL20650003	Oil filter cover

Item	Part No.	Description
22B	SL1002004200	Gasket and o-ring kit
22C	SL1002005100	Gasket and o-ring kit
22D	SL1086000700	Cartridge
22E	SL1002005300	Gasket and 0-ring kit
22F	SL1001001900	Filter glass
23	SL1067000300	Elbow fitting
24	SL1066001900	Nut
25	SL1066001500	Fitting
26	SL1067009100	Olive
27	SL1066001700	Fitting
28	SL20160032	Suction hose 11.5mm x 570mm
29	SL1066001600	Fitting
30	SL1066001500	Fitting
31	SL20120049	Olive
32	SL20100002	Suction fitting
33	SL20050000	Tank cap
--	SL20050006	Cap (NOT SHONW)
35	SL1086001000	Filling filter
--	SL1094111205	Filter bracket
--	SL1105008700	Voltage label (NOT SHOWN)
--	SL1105015600	Hot surface label (NOT SHOWN)
--	SL1105022811	"do not touch" label (NOT SHOWN)

NOTE: It is our policy to continually improve products and as such we reserve the right to alter data, specifications and component parts without prior notice.

IMPORTANT: No liability is accepted for incorrect use of product.

WARRANTY: Guarantee is 12 months from purchase date, proof of which will be required for any claim.

Sealey Group, Kempson Way, Suffolk Business Park, Bury St Edmunds, Suffolk. IP32 7AR



01284 757500



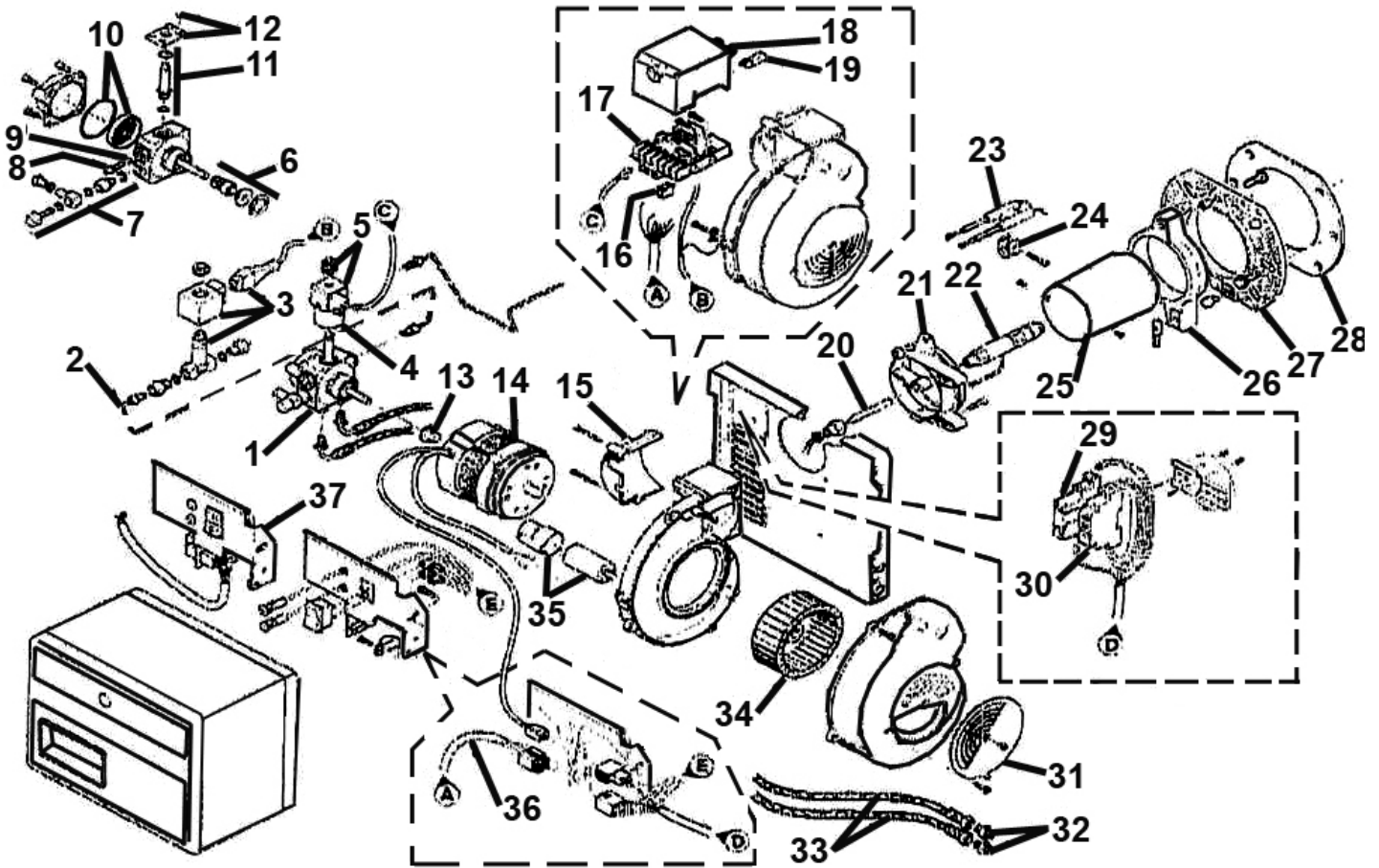
01284 703534



sales@sealey.co.uk



www.sealey.co.uk



NOTE: It is our policy to continually improve products and as such we reserve the right to alter data, specifications and component parts without prior notice.

IMPORTANT: No liability is accepted for incorrect use of product.

WARRANTY: Guarantee is 12 months from purchase date, proof of which will be required for any claim.



Parts Information:
Infrared Diesel Heater 33kW 230V
Model No: IR33

Item	Part No.	Description
1	SLR003007800	Pump
2	SLR003020013	Pipe
3	SLR003006647	Needle valve
4	SLR003002279	Coil
5	SLR003006553	Shell
6	SLR003000439	Seal kit
7	SLR003020021	Fitting
8	SLR003007202	Regulator
9	SLR003007028	O-ring
--	SLR003008653	Filter o-ring (NOT SHOWN)
10	SL20800185	Filter o-ring
11	SLR003006925	Valve
12	SLR003007203	Plate
13	SLR003000443	Joint
14	SLR003008865	Motor
15	SLR003006556	Cover
16	SLR003002295	Connector
17	SL20800178	Terminal board
18	SL20800058	Burner control unit
19	SLR003002280	Flame sensor

Item	Part No.	Description
20	SLR003005773	Pre-heater
21	SLR003005998	Collar
22	SLR003020012	Nozzle holder
23	SL20800100	Electrode ass'y
24	SLR003006552	Bracket
25	SLR003002533	Burner head
26	SLR003000642	Spacer
27	SLR003005786	Flange
28	SLR003005787	Shield
29	SLR003013406	Relay
30	SL20800238	Timer
31	SLR003007204	Air damper
32	SLR003009068	Connector
33	SLR003007621	Oil hose 11.5mm x 650mm / Oil hose 11.5mm x 650mm
34	SLR003005708	Blower
35	SLR003007479	Capacitor 4uf 450/475/500v 60x30
36	SLR003020023	Lead / Lead
37	SLR003020024	Terminal
	SL20210070	Nozzle - danfoss 0.85gph 80h (NOT SHOWN)

NOTE: It is our policy to continually improve products and as such we reserve the right to alter data, specifications and component parts without prior notice.

IMPORTANT: No liability is accepted for incorrect use of product.

WARRANTY: Guarantee is 12 months from purchase date, proof of which will be required for any claim.

Sealey Group, Kempson Way, Suffolk Business Park, Bury St Edmunds, Suffolk. IP32 7AR



01284 757500



01284 703534



sales@sealey.co.uk



www.sealey.co.uk